

DASH NO	MODEL NO	IMPD OHMS
1-0127-1	BJ20	50
1-0127-2	UBJ20	75
1-0127-3	UBJ20AT	75

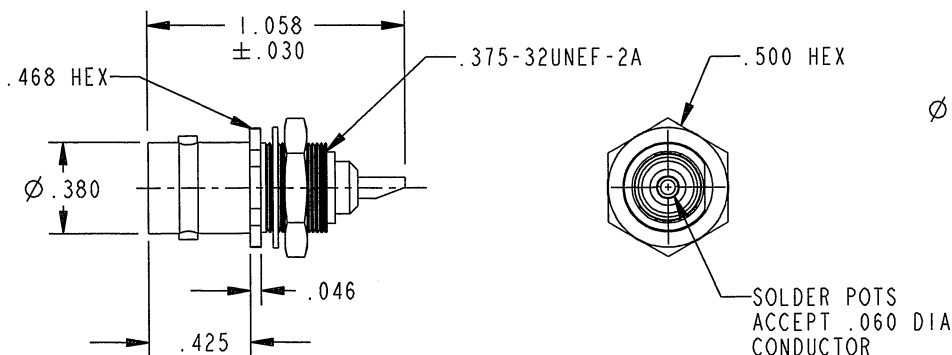
DATA CONTAINED IN THIS DOCUMENT IS PROPRIETARY OF TROMPETER ELECTRONICS, INC. AND SHALL NOT BE DISCLOSED, COPIED OR USED FOR PROCUREMENT OR MANUFACTURE WITHOUT EXPRESS WRITTEN PERMISSION.

REVISIONS

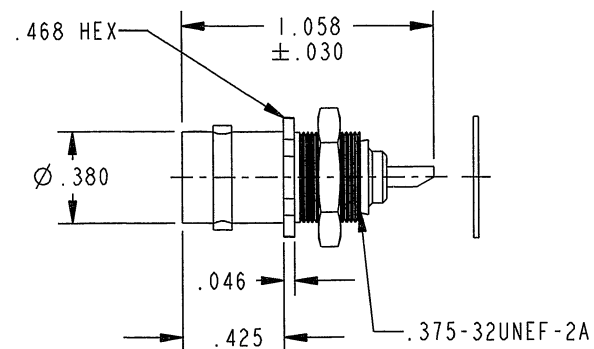
REV	DESCRIPTION	DATE	APPROVED
AG	REVISED PER ECO 16393	8-7-07	mmc

RED INDICATES ORIGINAL

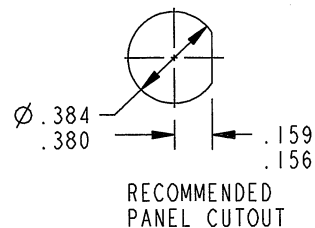
INCH	MM
.005	0.13
.030	0.76
.046	1.17
.125	3.18
.156	3.96
.159	4.04
.380	9.65
.384	9.75
.425	10.80
.468	11.89
.500	12.70
1.058	26.87



6
-1 SHOWN



5
-3 SHOWN



6 HEX NUT AND LOCK WASHER SUPPLIED LOOSE FOR -1 AND -2

5 -3 SUPPLIED AS SHOWN, WITH LOCK WASHER SEPARATELY

- COAXIAL BNC TYP SOLDER POT BULKHEAD MOUNT RECEPTACLE 50 & 75 OHM VERSIONS
- 1 UTILIZES 2 TINES CONTACT. -2 AND -3 UTILIZE 4 TINES CONTACTS.
- MAX PANEL THK .125
- FINISH: TFS-1A (NICKEL)

NOTES: UNLESS OTHERWISE SPECIFIED.

INTERPRET DRAWING PER MIL-STD-100 DIMENSIONS ARE IN INCHES AND INCLUDE FINISH THICKNESS UNLESS OTHERWISE SPECIFIED		TOL: UNLESS SPECIFIED · XX ± · XXX ± .005 · XXXX ± ANGLE ±			
DRW J.CAMPBELL 06-13-07	CHE JLM 8-6-07	MATERIAL	FINISH		
APPROVED [Signature]	DATE 8/7/07	SIZE B	CAGE CODE 14949	DRAWING NO. 1-0127	REV AG
NEXT ASSY	PROJ FILE NO. 1-0127	DO NOT SCALE DWG	SCALE 1/1	DATE 3-30-66	SHEET IC