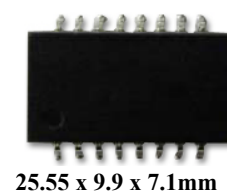


10/100 BASE-T SINGLE PORT TRANSFORMER MODULE

ALAN-07FBNL-13FB

RoHS
Compliant

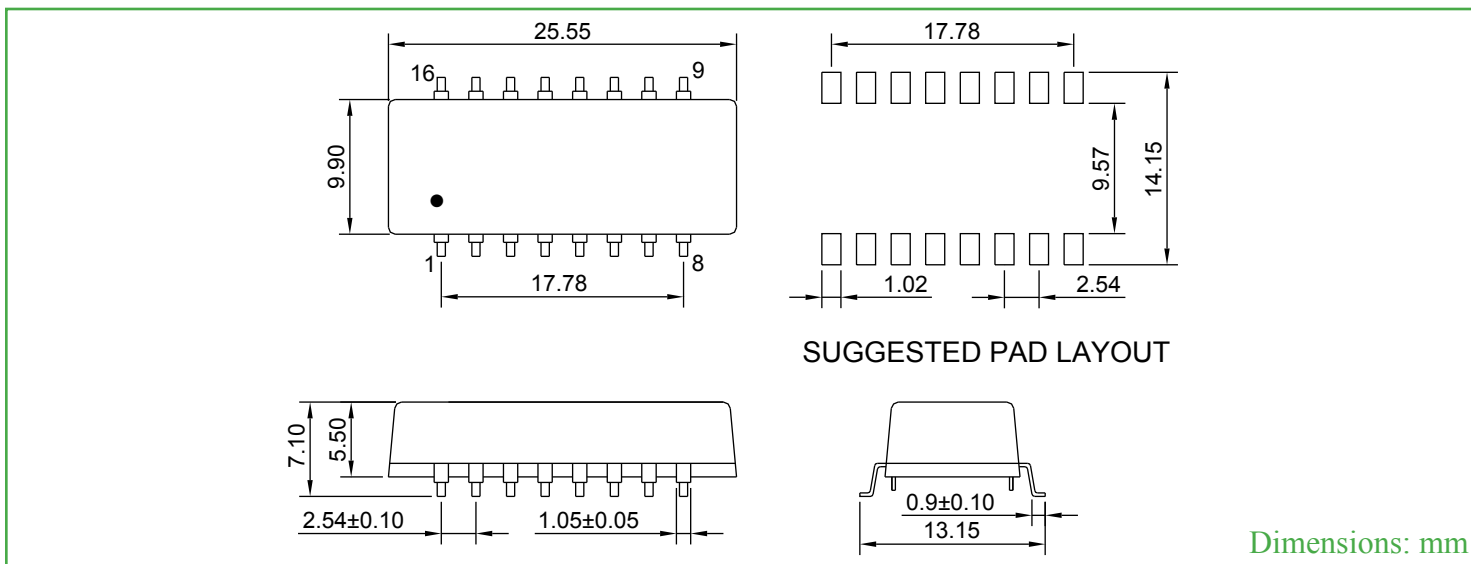


25.55 x 9.9 x 7.1mm

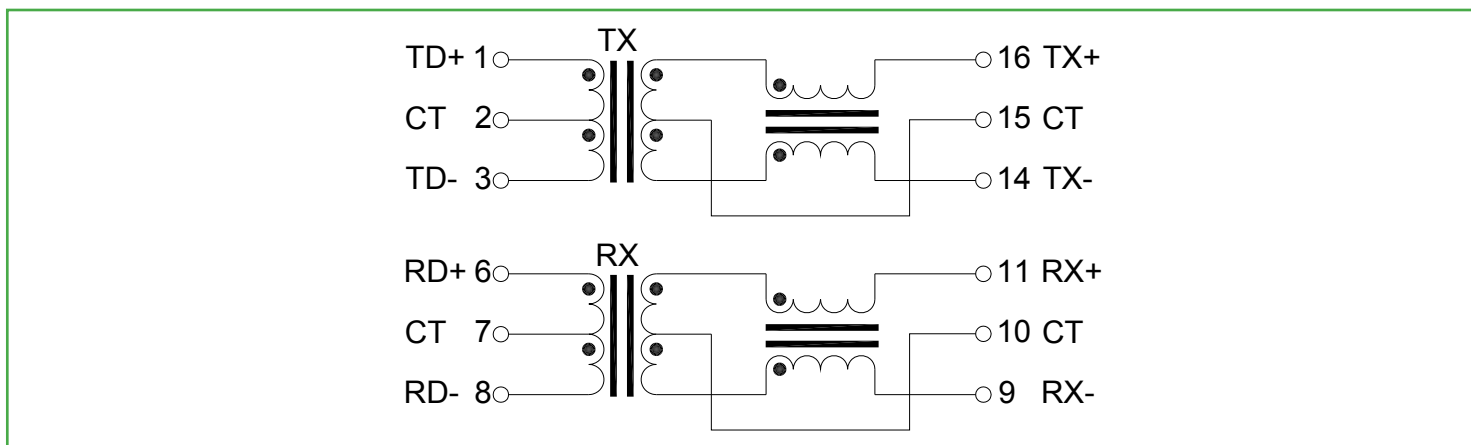
STANDARD SPECIFICATIONS:

Parameters	Minimum	Typical	Maximum	Units	Notes
Operating Temperature	0	-----	+70	°C	
OCL	350	-----	-----	μH	@100kHz, 0.1V, 8mA
LL	-----	-----	0.35	μH	@100kHz, 0.1V
CWW	-----	20	-----	pF	@100kHz, 0.1V
Cross Talk	-----	-38	-----	dB	0.1 ~ 100MHz
CMR	-----	-40	-----	dB	0.1 ~ 100MHz
Turn Ratio (±2%)	TX=1.25CT:1CT RX=1CT: 1CT				
DCR	-----	-----	0.9	Ω	
High Pot	1500Vrms/0.5mA/60 seconds or 1650Vrms/0.5mA/2 seconds				

OUTLINE DRAWING:



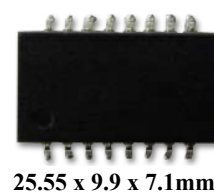
SCHEMATIC:



10/100 BASE-T SINGLE PORT TRANSFORMER MODULE

ALAN-07FBNL-13FB

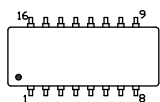
RoHS
Compliant



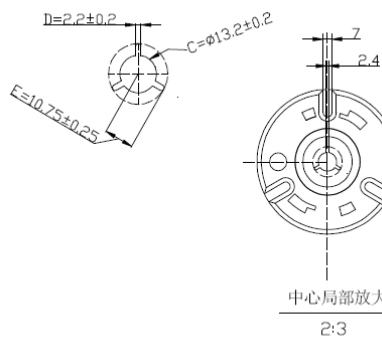
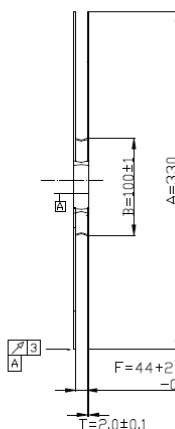
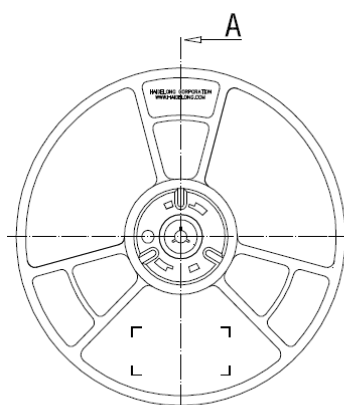
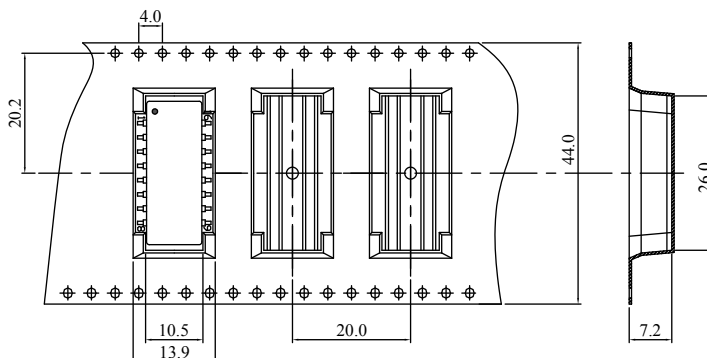
25.55 x 9.9 x 7.1mm

TAPE & REEL:

Tape & Reel: 400pcs/reel

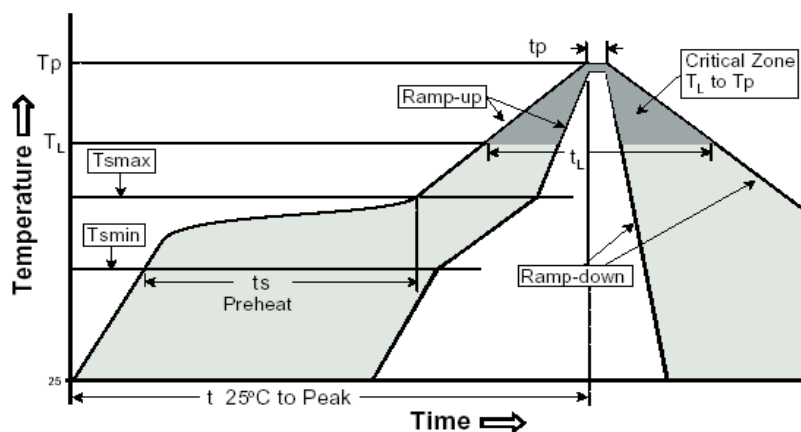


Mechanicals



Dimensions: mm

REFLOW PROFILE:



Profile Feature	Pb-Free Assembly
Average Ramp-up Rate (Ts max to Tp)	3°C/second max.
Preheat	
-Temperature min. (Ts min)	150°C
-Temperature max. (Ts max)	200°C
-Time (ts min to ts max)	60 ~ 180 seconds
Time maintained above:	
-Temperature (TL)	217°C
-Time (tL)	60 ~ 150 seconds
Peak/Classification Temperature (Tp)	245±5°C
Time within 5°C of actual Peak Temperature (tp)	20 ~ 40 seconds
Ramp-down Rate	6°C/second max.
Time 25°C to Peak Temperature	6 minutes max.

ATTENTION: Abracon Corporation's products are COTS – Commercial-Off-The-Shelf products; suitable for Commercial, Industrial and, where designated, Automotive Applications. Abracon's products are not specifically designed for Military, Aviation, Aerospace, Life-dependant Medical applications or any application requiring high reliability where component failure could result in loss of life and/or property. For applications requiring high reliability and/or presenting an extreme operating environment, written consent and authorization from Abracon Corporation is required. Please contact Abracon Corporation for more information.

ABRACON IS
ISO9001:2008
CERTIFIED



Visit www.abracon.com for Terms & Conditions of Sale **Revised: 10.05.10**
30332 Esperanza, Rancho Santa Margarita, California 92688
tel 949-546-8000 | fax 949-546-8001 | www.abracon.com