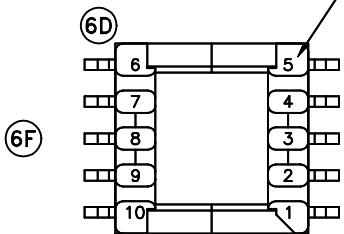
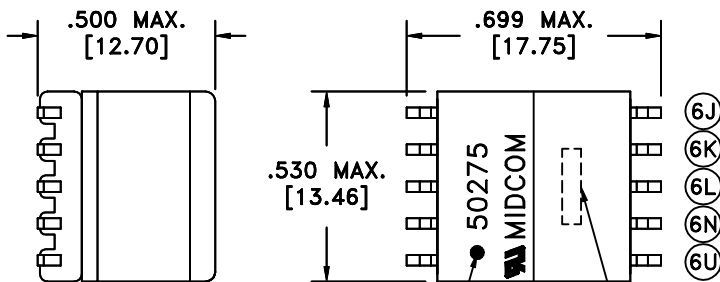


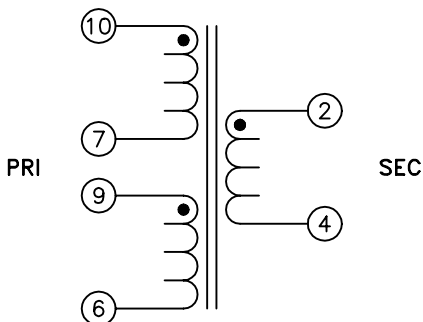
TERM. NO.'s FOR REF. ONLY



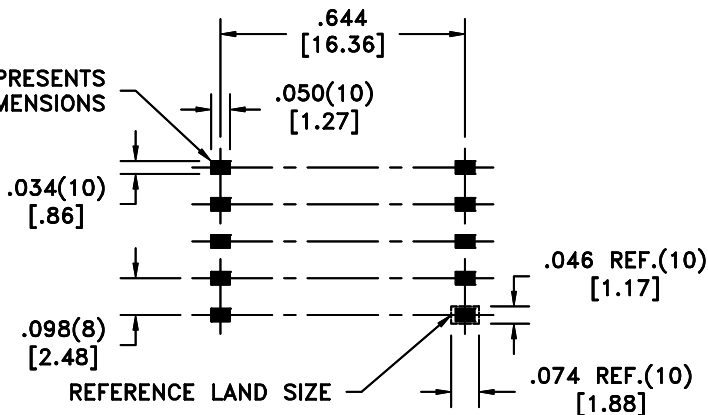
6D



DOT LOCATES TERM. #1 (6B)(6G)(6Q) (6U)
LOT CODE & DATE CODE



AREA REPRESENTS TERMINAL PAD DIMENSIONS



CUSTOMER TO DETERMINE LAND LAYOUT (6B)(6S)

ELECTRICAL SPECIFICATIONS @ 25°C unless otherwise noted:

- (6H) LONGITUDINAL BALANCE: 50dB min., 300Hz - 300kHz, per ITU Method (L->M).
- D.C. RESISTANCE (@20°C):
 - 10-7, 1.10 ohms ±10%
 - 9-6, 1.10 ohms ±10%
 - 2-4, 0.785 ohms ±10%.
- (6P) FREQUENCY RESPONSE: ±0.1dB, 40kHz - 300kHz.
- INSERTION LOSS: 0.5dB max., 300kHz.
- (6L) DIELECTRIC RATING: 1500VAC, 1 minute tested by applying 1800VAC for 1 second between 10-2; 9-2.
- INDUCTANCE: 2mH ±6%, 10kHz, 100mVAC, 10-6(tie 7+9), Ls.
- (6C) LEAKAGE INDUCTANCE: 11uH max., 100kHz, 100mVAC, 10-6(tie 7+9, 2+4), Ls.
- RETURN LOSS: 16.5dB min., 40k - 300kHz.
- TURNS RATIO: (10-6):(2-4) = 2:1, tie(7+9), ±1%.
- TOTAL HARMONIC DISTORTION: -70dB max., 40kHz, +14dBm.
- OPERATING TEMPERATURE: -40°C to +85°C.

Designed for use with Brooktree HDSL IC's: BT8921 & BT8970 @ 1168kbps data rate.

- (6L) Designed to comply with the following requirements as defined by IEC60950, EN60950, UL60950/CSA60950 and AS/NZS60950:
- (6R)
 - TNV-1 to SELV isolation.
 - TNV-3 to TNV-2 isolation.

(6B)(6L)(6R)

AGENCY NUMBER	
UL 60950	E205930
CSA 60950 (Via CUL)	E205930

DETAILS SUBJECT TO CHANGE

Midcom, Inc.
Watertown, SD USA
Toll Free: 800-643-2661
Fax: 605-886-4486

Unless otherwise specified:
Tolerances: Fractions: ±1/64
Angles: ±1° Decimals: ±.005[.13]

DRAWING TITLE
TRANSFORMER

Midcom

DRAWING NO. (6E) REV. 6U
50275R 11/05

REVISIONS: SEE SHEET 1

SCALE --- SHEET 2 OF 5

This drawing is dual dimensioned.
Dimensions in brackets are in millimeters.

DWG # 50275R