

**SPECIFICATIONS**

Insulation Resistance:	100MΩ min.
Current Rating:	0.5A
Voltage Rating:	250V ACrms
Contact Resistance:	30mΩ max.
Withstanding Voltage:	100V AC for 1 minute
Operating Temp. Range:	-20°C to +80°C

**MATERIALS AND FINISH**

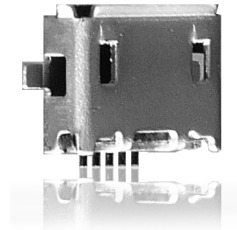
Insulator:	LCP, (UL94V-0)
Shell:	Brass
Contacts:	Phosphor Bronze, selective Gold Plated

**FEATURE**

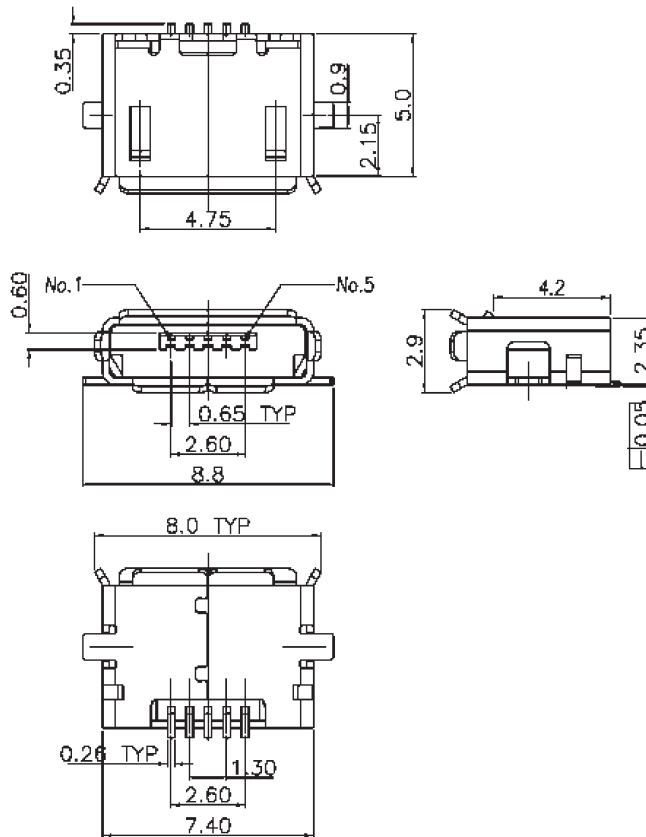
- RoHS2011/65/EU

**PART NUMBER**

**USB-MC5-004**



**OUTLINE DIMENSIONS**



**RECOMMENDED PCB LAYOUT (TYPE AB)**

