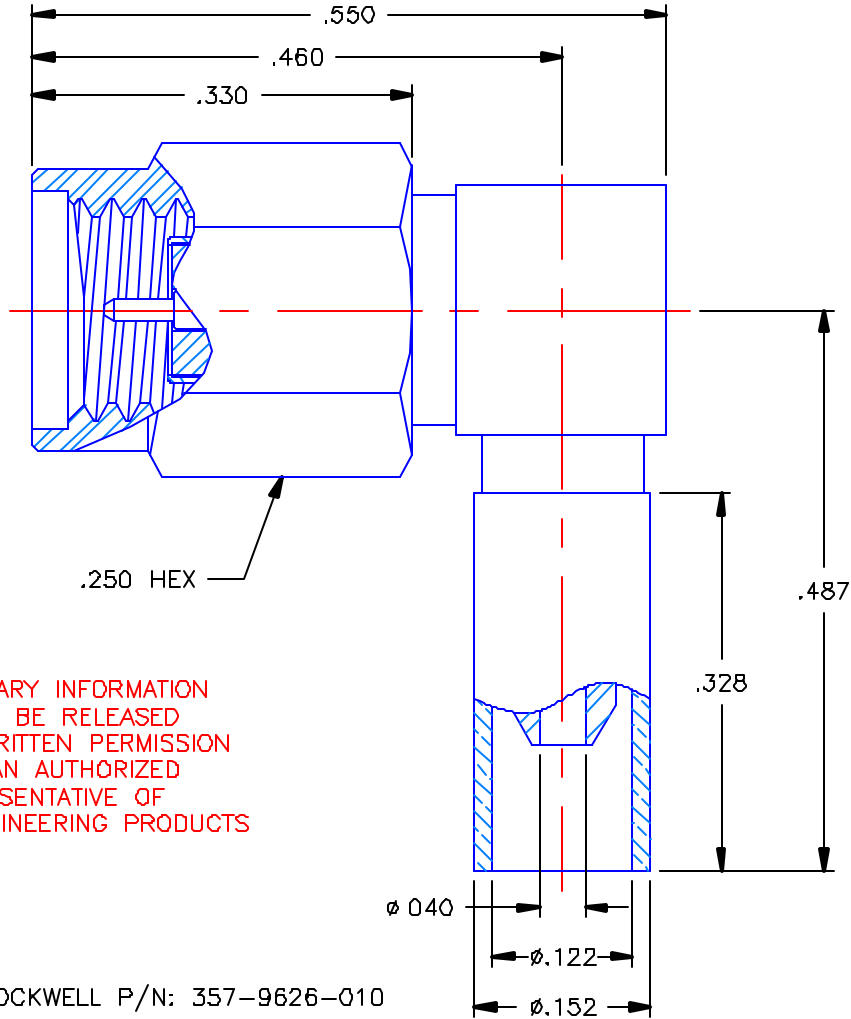


REVISIONS			
REV	DESCRIPTION	DATE	APPROVED
-	INITIAL RELEASE	05/06/02	D.N.



PROPRIETARY INFORMATION  
NOT TO BE RELEASED  
WITHOUT WRITTEN PERMISSION  
FROM AN AUTHORIZED  
REPRESENTATIVE OF  
APPLIED ENGINEERING PRODUCTS

**NOTES:**


ROCKWELL P/N: 357-9626-010

**MATERIALS:**

- BODIES & COUPLING NUT = STAINLESS STEEL PER ASTM A582, ALLOY 303, CONDITION "A".
- INSULATORS = VIRGIN WHITE TEFLON PER ASTM D1710, GRADE 1, TYPE I, CLASS "B".
- CONTACT & RETAINING RING = BERYLLIUM COPPER PER ASTM B196, ALLQY C17300, TEMPER TD04.
- GASKET = SILICONE RUBBER PER ZZ-R-765, CLASS 2B, GRADE 65-75.
- CRIMP SLEEVE = SEAMLESS COPPER TUBING PER ASTM B75, TYPE C12000, TEMPER LIGHT ANNEAL Q50, EXCEPT YIELD STRENGTH.
- CAP = BRASS PER ASTM B16, ALLOY C36000, TEMPER H02
- SHRINK SLEEVE = THERMOFIT SCL. (NOT SHOWN)

**FINISHES:**

- COUPLING NUT = PASSIVATE PER QQ-P-35, TYPE VI.
- CRIMP SLEEVE & CAP = GOLD PLATE PER MIL-G-45204, TYPE II, CLASS O, GRADE C, OVER .00010 TO .00020 COPPER STRIKE PER MIL-C-14550.
- BODIES & CONTACT = GOLD PLATE PER MIL-G-45204, TYPE II, CLASS 1, GRADE C, OVER .00010 TO .00020 STRESS FREE SULFAMATE NICKEL PER QQ-N-290

UNLESS OTHERWISE SPECIFIED DIMENSIONS ARE IN INCHES TOLERANCES ON		DWN: DATE	 <b>APPLIED ENGINEERING PRODUCTS</b> 104 John W. Murphy Dr. New Haven, CT 06513
		D.N. 05/02/02	
DECIMAL	ANGLE	CHKD: DATE	
		A.D.M. 05/06/02	<b>SSMA RIGHT ANGLE PLUG CRIMP TYPE FOR RG 178DS CABLE</b>
		APVD: DATE	
		D.J.C. 05/06/02	
REFERENCE:		MATERIALS & FINISHES:	SIZE FSCM NO. DWG. NO. REV
ORIGINATOR: D.N. DATE: 05/02/02		SEE NOTES	A 19505 9765-1523-105 -
		SCALE 6:1	CODE SHEET 1 OF 1

9765-1523-105