

DRAWING NUMBER

W2135-93

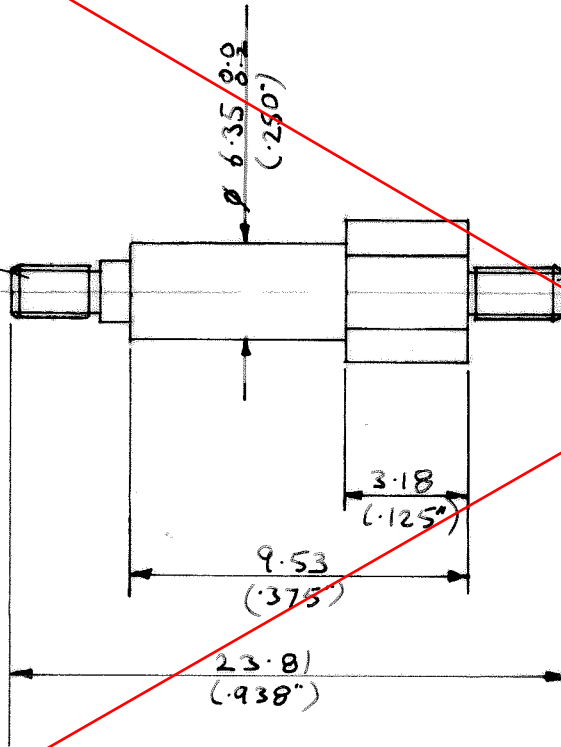


THIRD ANGLE PROJECTION

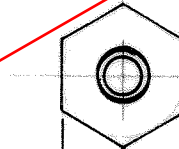
DO NOT SCALE

OBSOLETE

INSERT
X0047



INSERT
X0048



6.35 A/E
(.250")

NOTES

PROOF VOLTAGE 11KV

10	19-10-78	
ISS. DATE	CHANGE	
APPD.	<i>[Signature]</i>	
CHKD.	<i>[Signature]</i>	
DRAWN	<i>[Signature]</i>	
OLD REF.	W6115-m2.5	
ASSY. DRAWING		

CAM NO.	MACH. NO.

HARWIN ENGINEERS S.A.
PORTSMOUTH PO6 1RT

MATERIAL ALKYD AMC 428 TAN

TITLE
STAND-OFF
INSULATOR

FINISH CLEAN

TOLERANCES
FRAC. ±1/64 DEC ±.005 MM ±.13

DIMS. IN mm (in) SCALE

DRAWING NUMBER

W2135-93