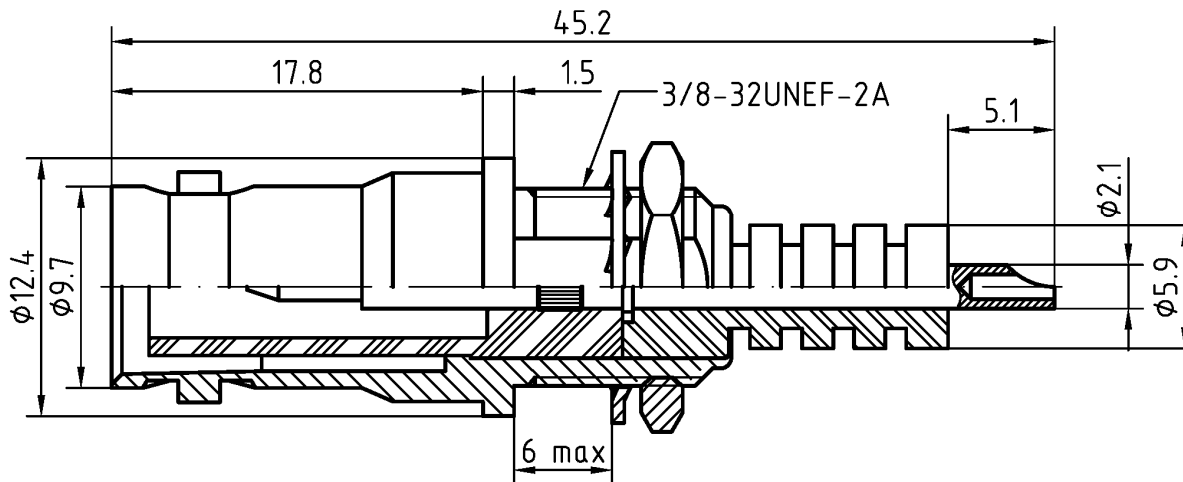


SPECIFICATIONS

Impedance: 50ohm
 Frequency Range: 0—300MHz
 Test Voltage: 5000V rms min.
 Working Voltage: 3500V rms max.
 Working Voltage: 5000V DC max.
 Operating Currents: 500 mA average max.
 10 A peak max.



Item	Name	Material	Finish
1	Body	Brass	Nickel
2	Insulator	PTFE	
3	Center Contact	Brass	Gold

RoHS compliant

Rev.	Description	Date	Approved	Drawing	Name	Date
				Approved	Howard	07/30/08
				Checked	Lizzy	07/30/08
				Drawn	Tina	07/30/08
				0.0 ± 0.35	0.00 ± 0.20	Angles ± 3'
				UNIT: mm		

Central Components Manufacturing
 440 Lincoln Blvd., Middlesex, New Jersey 08846
 Phone 732 469-5720 888 288-5152 Fax 732 469-1919

Part No.: **CRF-SHV-JYB-3965-BGTG-A**

Description: SHV Connector, 50 ohm