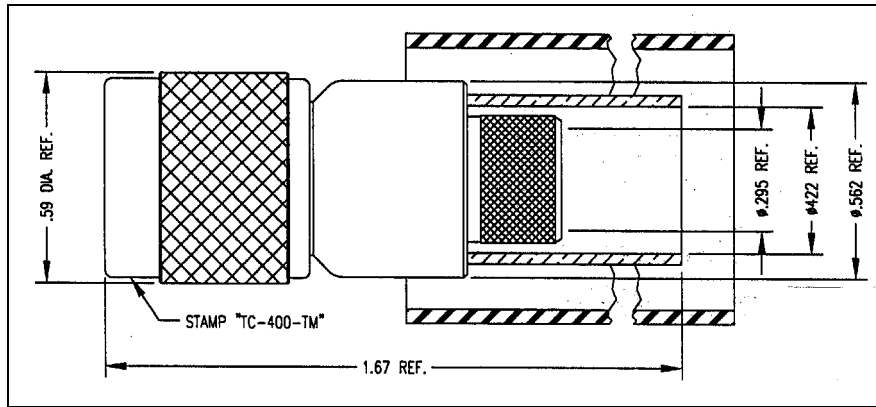


LTR	DESCRIPTION	DATE	BY
-	Released	3/4/96	JCL
A	Revised Materials & Plating; Added Environmentals; Redrawn	7/18/01	JCL



I. MATERIALS & FINISHES

- center contact: Silver (100u" minimum) Plated Brass
- outer contact: Nickel (200u" minimum) Plated Brass
- body: Nickel (200u" minimum) Plated Brass
- coupling nut: Nickel (200u" minimum) Plated Brass
- crimp sleeve: Nickel (200u" minimum) Plated Copper
- dielectric: Teflon® PTFE
- gasket: Silicone Rubber
- shrink sleeve: Adhesive Lined Polyolefin
- crimp size: .429" hex

II. ELECTRICAL PROPERTIES

- impedance: 50 ohms
- working voltage: 500 vrms (max)
- vswr: 1.25:1 (max) up to 3GHz
- insertion loss: 0.1 x √Fghz

III. ENVIRONMENTAL PROPERTIES

- temperature range: -40°C to +85°C
- humidity: Shall Operate at Relative Humidities up to 95%

Unless otherwise specified, dimensions are in inches. Tolerances are applicable when specified.

These drawings and specifications contain proprietary information which is the property of Times Microwave Systems.

Approvals		
Drawn	JCL	3/4/96
Check		
Prj. Mgr.		
Prd. Mgr.		
QA Mgr.		



TIMES MICROWAVE SYSTEMS

Wallingford, CT 06492
 (203) 949-8400; (203) 949-8423.Fax
 www.timesmicrowave.com

TC-400-TM

Type TNC Male (plug)
 for LMR-400 Cable Type(s)

Size A	CAGE CODE 68999	Drawing No.: 3190-260
Scale: NA	Rev. (A)	Sheet: 1 of 1