

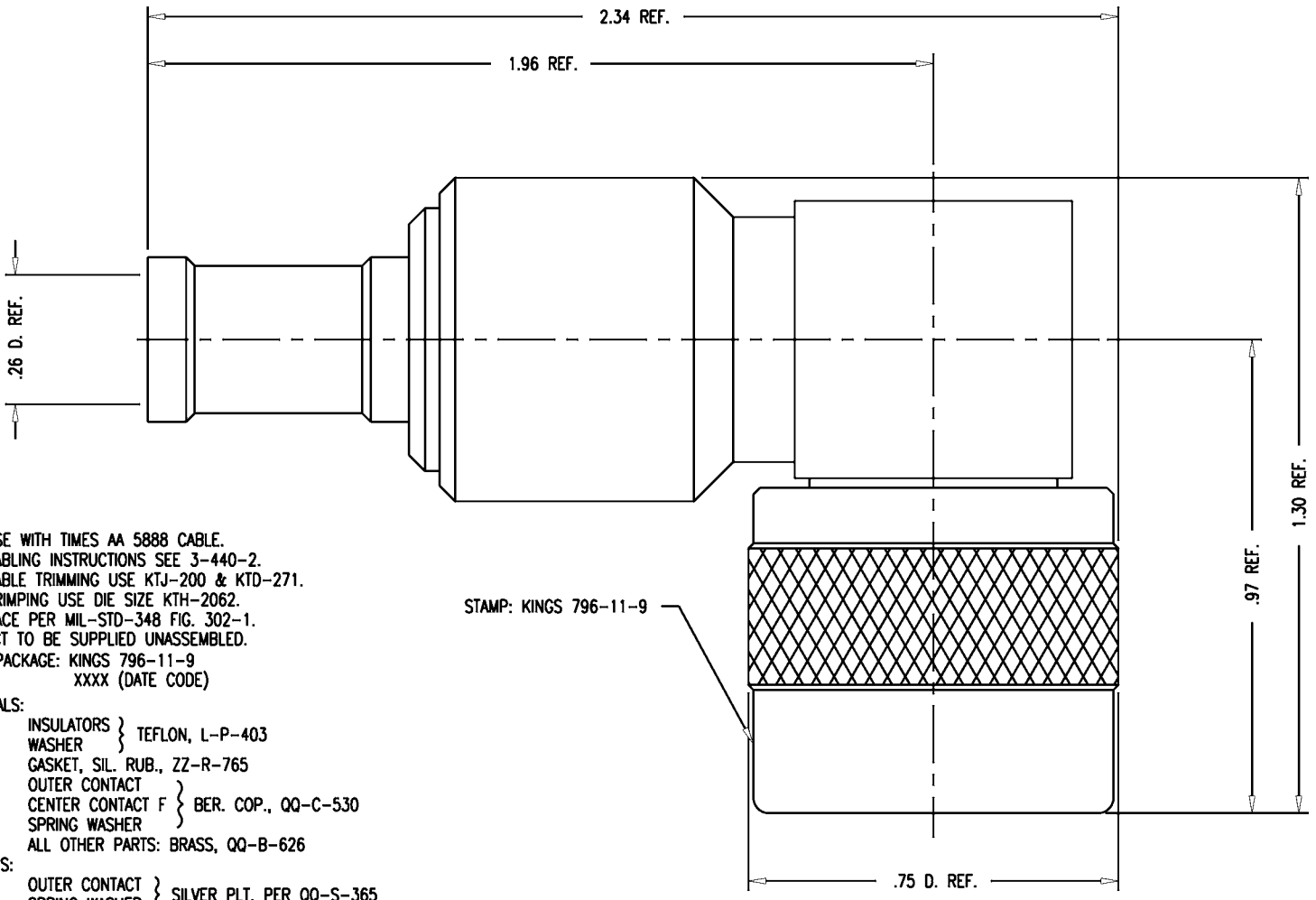
DASH NO.	M CODE	MADE FROM
----------	--------	-----------

GSD

796-11-9

REVISIONS

ISSUE	CHANGES	
0	ER JCA	31541 12 MAR 90



- NOTES:
- FOR USE WITH TIMES AA 5888 CABLE.
 - FOR CABLING INSTRUCTIONS SEE 3-440-2.
 - FOR CABLE TRIMMING USE KTJ-200 & KTD-271.
 - FOR CRIMPING USE DIE SIZE KTH-2062.
 - INTERFACE PER MIL-STD-348 FIG. 302-1.
 - CONTACT TO BE SUPPLIED UNASSEMBLED.
 - MARK PACKAGE: KINGS 796-11-9
XXXX (DATE CODE)
 - MATERIALS:
 - INSULATORS } TEFLON, L-P-403
 - WASHER } TEFLON, L-P-403
 - GASKET, SIL. RUB., ZZ-R-765
 - OUTER CONTACT } BRASS, QQ-B-626
 - CENTER CONTACT F } BER. COP., QQ-C-530
 - SPRING WASHER } BRASS, QQ-B-626
 - ALL OTHER PARTS: BRASS, QQ-B-626
 - FINISHES:
 - OUTER CONTACT } SILVER PLT. PER QQ-S-365
 - SPRING WASHER } SILVER PLT. PER QQ-S-365
 - CENTER CONTACTS: HARD GOLD PLT. PER MIL-G-45204
 - ALL OTHER METAL PARTS: KINGS TARNISH RESISTANT FINISH (TR-5)
 - ELECTRICAL CHARACTERISTICS:
 - NOMINAL IMPEDANCE: 50 OHMS
 - VOLTAGE RATING: 1000 VRMS
 - FREQUENCY RANGE: DC TO 11 GHz

SCALE	4:1	
APPROX SURFACE AREA	WAS: E-16173	
USED ON	REF:	
<h2>C ANGLE PLUG</h2>		
DRAWN	JCA	DATE 09 MAR 90
DESIGN	JT	DATE 12 MAR 90
APPR.	VLS	DATE 20 MAR 90

KINGS
ELECTRONICS CO., INC.
TUCKAHOE, NEW YORK 10707

796-11-9

GSD