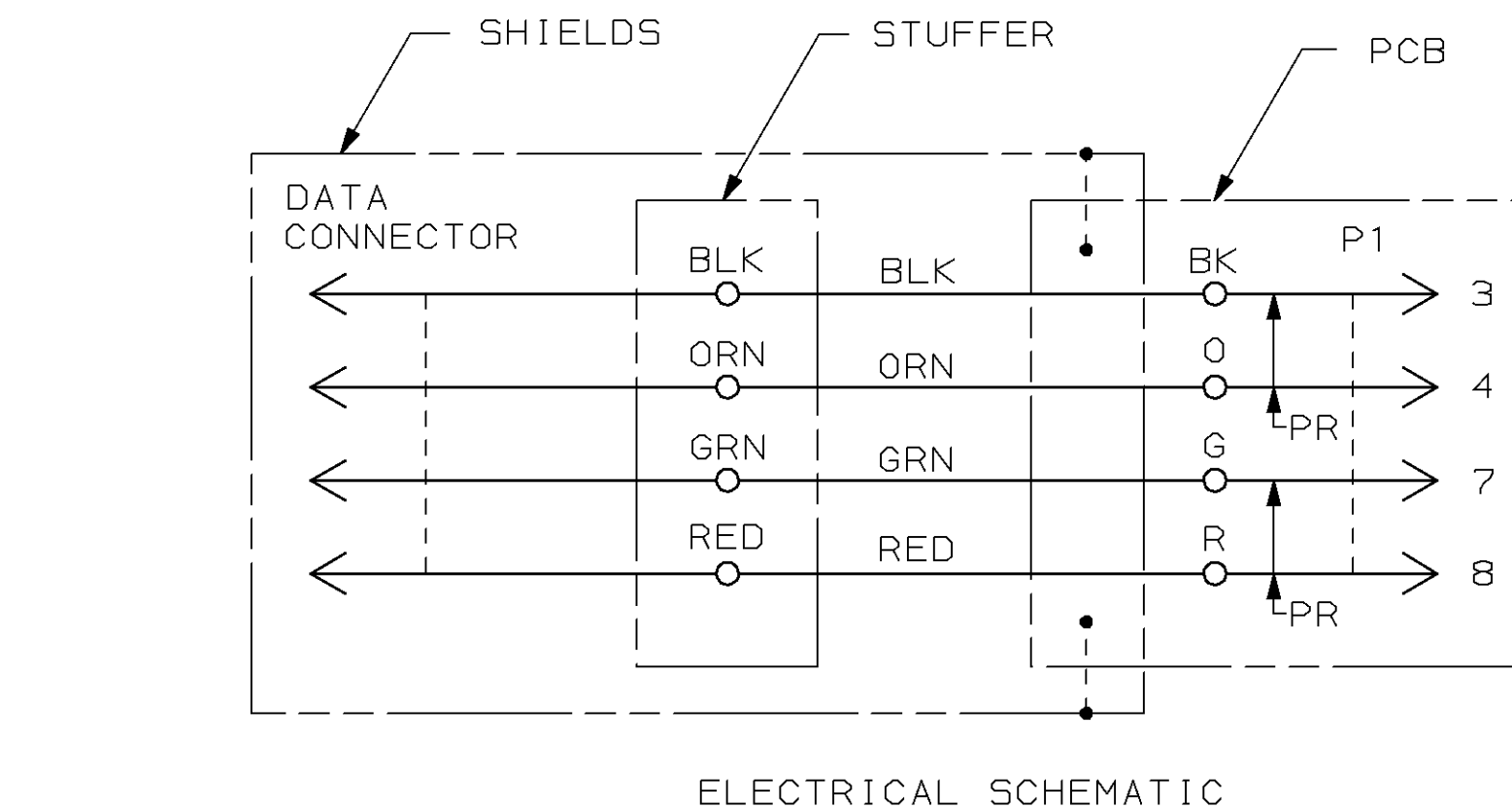
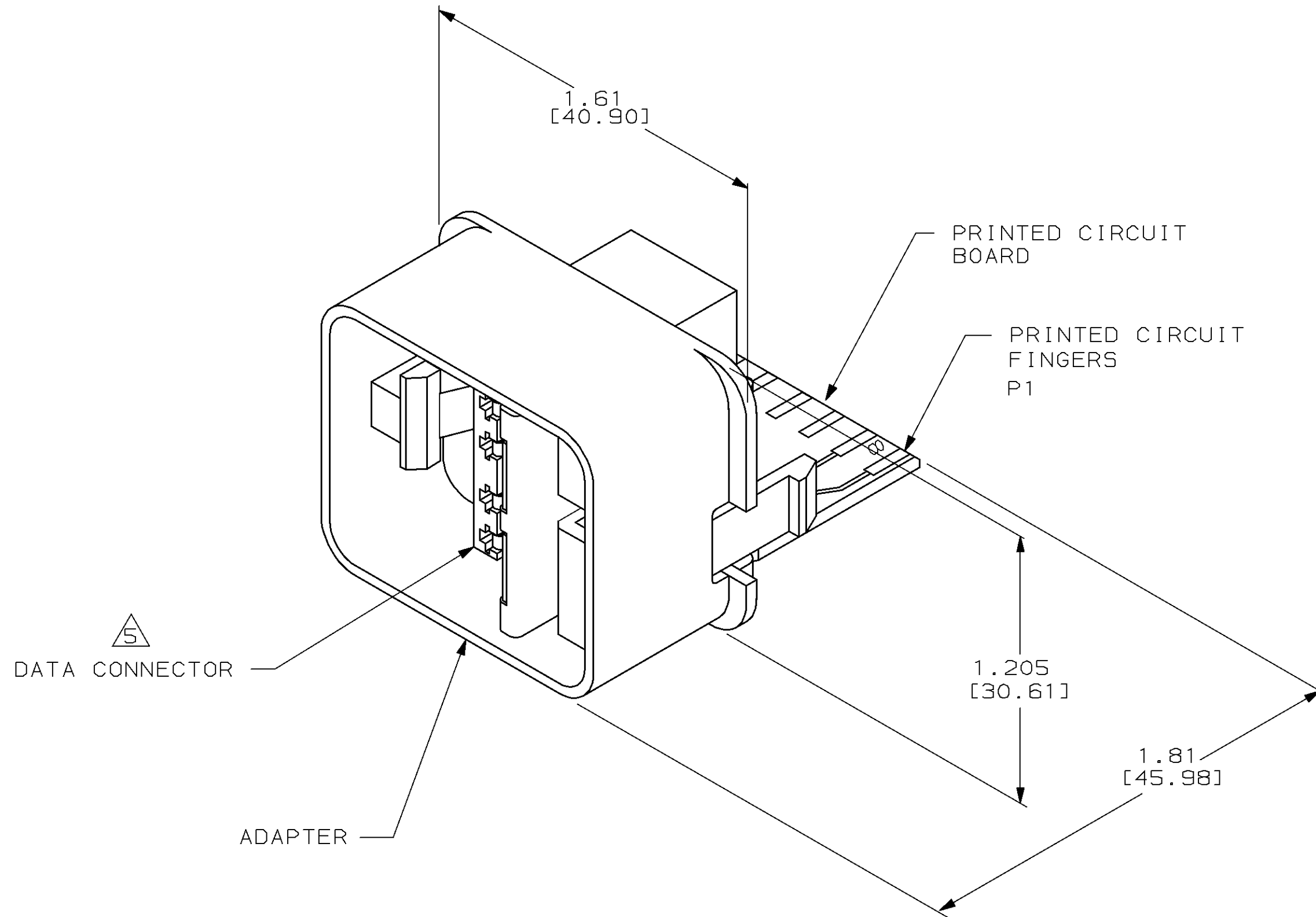


THIS DRAWING IS UNPUBLISHED. RELEASED FOR PUBLICATION, 19  
 © COPYRIGHT 19 BY AMP INCORPORATED. ALL INTERNATIONAL RIGHTS RESERVED.

LOC		DIST		REVISIONS				DATE	APPD
AA	28	P	F	ZONE	LTR	DESCRIPTION			
					H	OBS -5; EC 0502-0806-97	29MAY98	CW GB	

- ① DIMENSIONS ARE MAXIMUM.
- ② MATERIAL: PRINTED CIRCUIT BOARD - LAMINATED PLASTIC SHEET, .062 [1.57] THICK. DATA CONNECTOR HOUSING-POLYESTER PBT, BLACK. ADAPTER-POLYESTER PBT, SEE TABLE. PRINTED CIRCUIT FINGERS-.000020 [0.51µm] MINIMUM GOLD PLATE OVER .000050 [1.27µm] MINIMUM NICKEL PLATE. DATA CONNECTOR TERMINALS-.000100 [2.54µm] MINIMUM GOLD PLATE OVER .000050 [1.27µm] MINIMUM NICKEL PLATE IN PLUG-IN CONTACT AREA.
- 3. THIS INSERT IS DESIGNED TO MATE WITH AMP INC. EDGE CONNECTOR KIT AND WALLBOX KITS.
- 4. DIMENSIONS IN BRACKETS [ ] ARE IN MILLIMETERS.
- ⑤ THIS INTERCONNECT MEETS THE REQUIREMENTS OF IEC 48B(CO)189.



ELECTRIC IVORY	555631-6
NEMA GRAY	555631-4
BLACK	555631-3
IVORY	555631-1
ADAPTER COLOR	PART NO

DO NOT SCALE PRINT. UNLESS SPECIFIED DIMENSIONS IN INCHES [mm] TOLERANCES ON : 2 PLC DEC ± 3 PLC DEC ± ANGLES ± ①	DR	R. NELSON	4-07-88	AMP INCORPORATED Harrisburg, Pa. 17105
	CHK	A.C. CLARK	5-20-88	
MATERIAL	APPD	J.R. SCHLUNZ	6-06-88	
②	APPD	J.B. WILKERSON	6-06-88	
FINISH	PRODUCT SPEC	—	—	NAME INSERT ASSEMBLY, DATA CONNECTOR, 4 POSITION AMP COMMUNICATION OUTLET
③	APPLICATION SPEC	—	—	
WEIGHT	—	—	—	
SIZE		C	FSCM NO	DRAWING NO
SCALE		2:1	00779	555631
			SHEET	1 OF 1