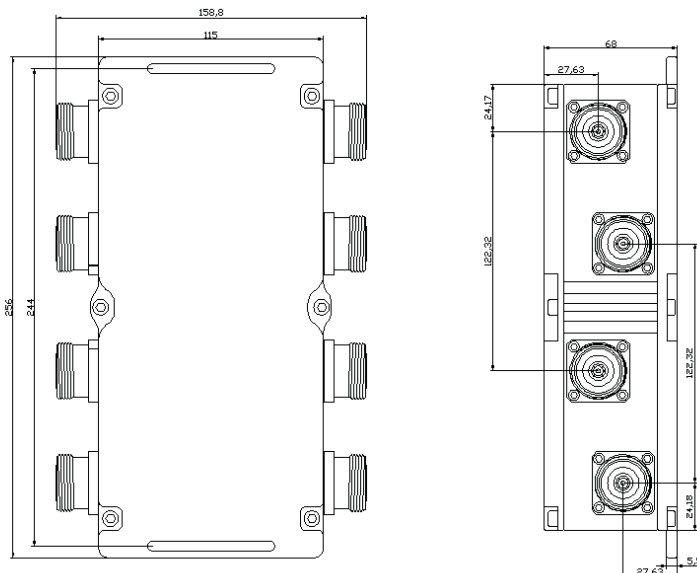


HC-7ML44-DF-CC

6.9 dB Hybrid Coupler | 698-2700 MHz | 4 in 4 out | DIN Female

| Electrical Characteristics | |
|--|--------------------------------------|
| Frequency Range | 698-2700 MHz |
| Insertion Loss | ≤ 6.9 dB |
| Isolation | ≥ 25 dB |
| PIM3 (2x20W) | ≤ -153 dBc |
| VSWR | ≤ 1.25 |
| Power Rating (average) | 500 W |
| Peak Power | 1.5 kW |
| Impedance | 50Ω |
| Mechanical Characteristics | |
| Connectors | DIN Female |
| Dimensions (L x W x D; without connectors) | 256 x 115 x 68 mm (10.1 x 4.5 x 2.7) |
| Weight | 3.5 kg (7.7 lbs) |
| Environmental Characteristics | |
| Operating Temperature | -30° C to +70° C (-22° F to 158° F) |
| Humidity | 5-95% |
| Environmental | IP67 |



Quoted performance parameters are provided to offer typical, peak or range values only and may vary as a result of normal testing, manufacturing and operational conditions. Extreme operational conditions and/or stress on structural supports is beyond our control. Such conditions may result in damage to this product. Improvements to products may be made without notice.