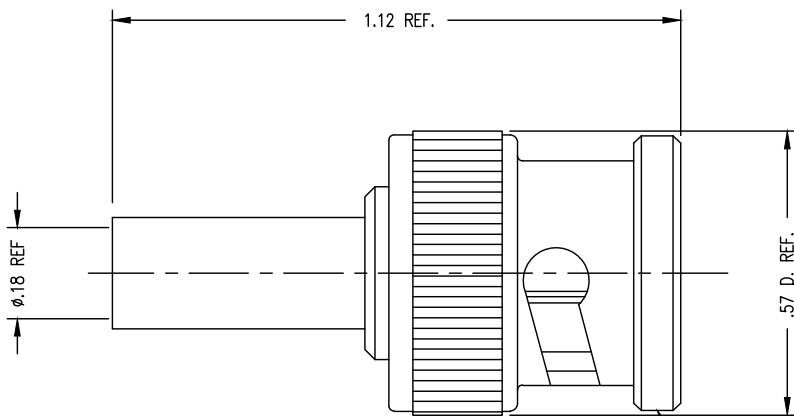



| | | |
|----------|--------|-----------|
| DASH NO. | M CODE | MADE FROM |
|----------|--------|-----------|



MARK: 91836 M39012/16-0016
755-119-5 (DATE CODE)

NOTES:

- FOR USE WITH RG-122 CABLE GROUPS.
- FOR CABLING INSTRUCTIONS SEE CP-465.
- FOR CRIMPING USE DIE KTH-2007.
- INTERFACE PER MIL-STD-348, FIG. 301-1.
- CENTER CONTACT TO BE SUPPLIED UNASSEMBLED.
- MATERIALS:
INSULATOR: TEFLON, ASTM-D1710
GASKET: SILICONE RUBBER, A-A-59588
SPRING WASHER: BER. COP. ASTM-B-196
OUTER CONTACT: BER. COP. ASTM-B-196
CRIMP SLEEVE; COMM. BRONZE, ASTM-B16, H02
ALL OTHER METAL PARTS: BRASS, ASTM-B16
- FINISHES:
CENTER CONTACT: GOLD PLATE PER ASTM-B488
ALL OTHER METAL PARTS: SILVER PLATE PER ASTM-B700
- ELECTRICAL CHARACTERISTICS:
NOMINAL IMPEDANCE: 50 OHM
FREQUENCY RANGE: DC TO 4 GHz
VOLTAGE RATING: 500 VOLTS RMS

| SD755-116-5 | REVISIONS | |
|--|--|---|
| | ISSUE | CHANGES |
| | 0 | ER 39005 DCT 1/22/4 |
| | 1 | CN 39116 E DCT 7/12/4 |
| C | REVISED PER DMF304 & MARKUP ER33587 KPL 07/05/11 | |
| CUSTOMER SALES DRAWING | | |
| THIS DRAWING, THE DESIGNS AND IDEAS EMBODIED IN THE DEVICE TO WHICH IT RELATES, AND THE METHOD OF PRODUCING THE DEVICE, ARE THE PROPERTY OF WINCHESTER ELECTRONICS CORPORATION AND SHALL NOT BE EMPLOYED, COPIED, OR DISCLOSED TO ANYONE, IN ANY MANNER WITHOUT THE CONSENT OF WINCHESTER ELECTRONICS CORPORATION. | | |
| SCALE 4:1 | | |
| APPROX SURFACE AREA | | |
| SD755-116-5 | | |
| USED ON | | |
| REF: | | |
| PLUG, BNC | | |
| DRAWN | DCT | DATE 1/8/4 |
| DESIGN | DCT | DATE 10/24/3 |
| APPR. | | DATE |
|  by WINCHESTER ELECTRONICS CORPORATION | | Winchester Electronics Corporation 62 Barnes Industrial Road North Wallingford, Connecticut 06492 |
| M39012/16-0016 | | |