



Muffin AC - MU2B1 - 028027
 (Family) (Model) (Part Number)

Electrical Specifications

Rated Voltage:	115 VAC
AC Frequency:	60 Hz
Power Supply:	14.0 Watts
Line Current:	0.16 Amps
Locked Rotor Current	0.25 Amps
Nominal Speed:	3100 RPM

Mechanical Specifications

Dimensions:	4.72in x 1.50in
Weight	17.2 oz
Max Airflow @ 0 in H ₂ O	102.0 CFM
Max Pressure @ 0 CFM	0.296 in H ₂ O
Noise	45.1 dBA



North American Sales Office

Phone: +1 (972) 644 5591
 sales@comairrotron.com

European Sales Office

Phone: +44 7595 221168
 saleseurope@comairrotron.com

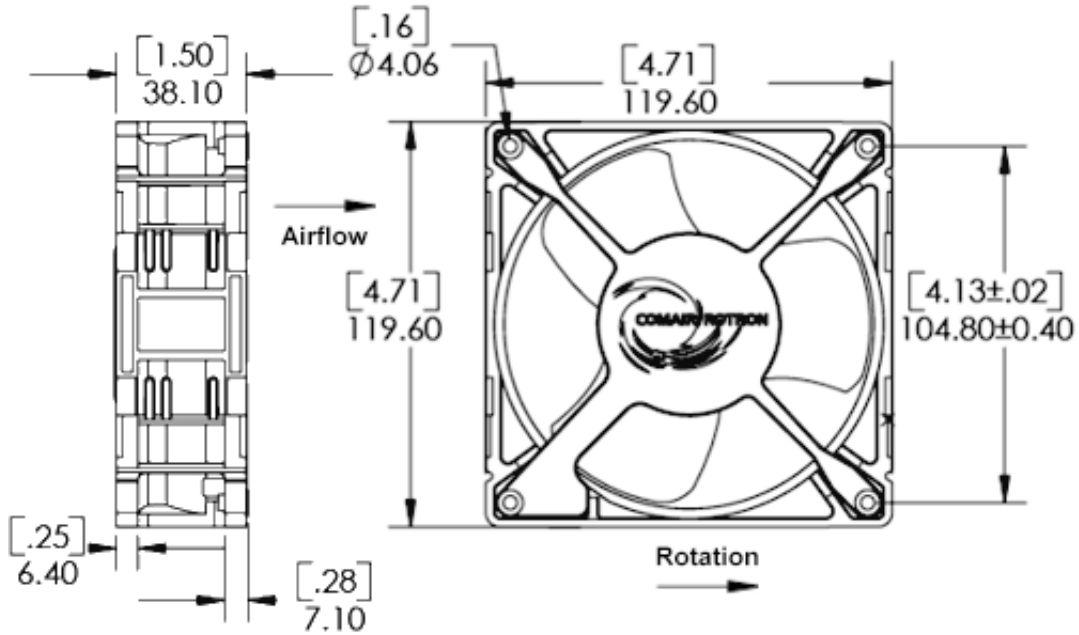
Asian Sales Office

Phone: +86 21 623 91966
 salesasia@comairrotron.com

Print Date: Thursday, March 22, 2012 at 22:38:28 - AC Fan Datasheet - Web Version 1.0 Rev. A



Mechanical Drawing

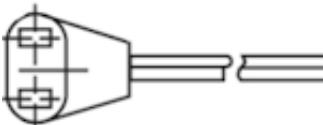


Options

Part Number	Model Number	Bearing Type	Fan Rotation	Termination	In-Stock <small>(Click 'Yes' for current stock)</small>
<input checked="" type="radio"/> 028027	MU2B1	Ball	Normal	Terminals	No
<input type="radio"/> 028028	MU2B2	Ball	Normal	Terminals, No Venturi	No
<input type="radio"/> 039666	MU2B4	Ball	Reverse	Terminals, No Venturi	No
<input type="radio"/> 028021	MU2A1	Sleeve	Normal	Terminals	No
<input type="radio"/> 028022	MU2A2	Sleeve	Normal	Terminals, No Venturi	No
<input type="radio"/> 027300	MU2A3	Sleeve	Reverse	Terminals	No
<input type="radio"/> 027301	MU2A4	Sleeve	Reverse	Terminals, No Venturi	No

Accessories (Click on part number for detailed drawing.)

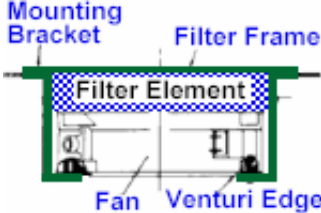
428056
Plug and Cord



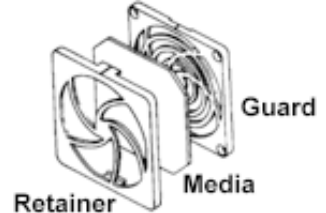
477663
Mounting Clip



551590
Filter Assembly



554148
Filter Guard Assembly



552934

476042

550481

551147

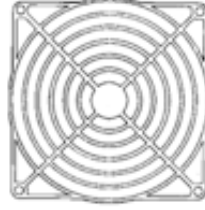
Finger Guard



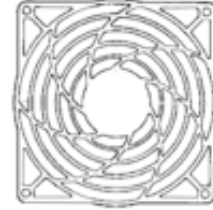
Finger Guard



Finger Guard



Finger Guard



North American Sales Office
Phone: +1 (972) 644 5591
sales@comairrotron.com

European Sales Office
Phone: +44 7595 221168
sales europe@comairrotron.com

Asian Sales Office
Phone: +86 21 623 91966
salesasia@comairrotron.com

Print Date: Thursday, March 22, 2012 at 22:38:28 - AC Fan Datasheet - Web Version 1.0 Rev. A