

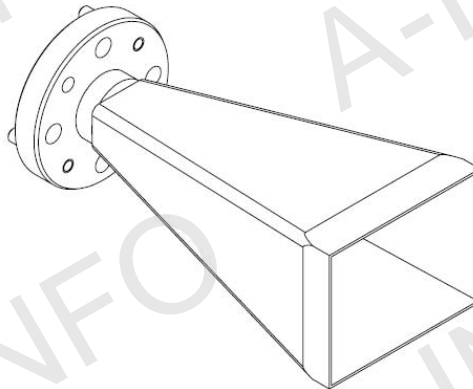
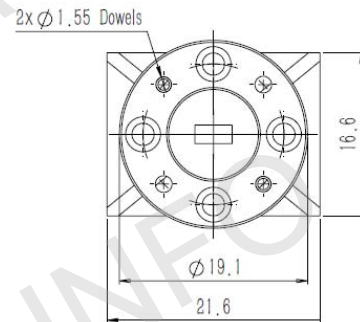
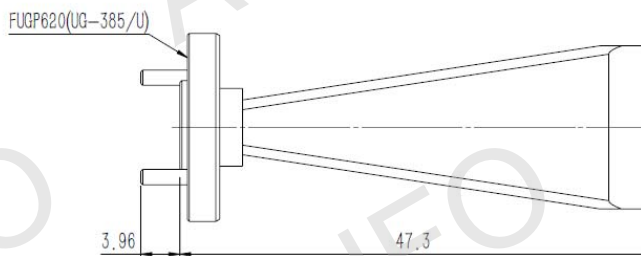
Technical Specification



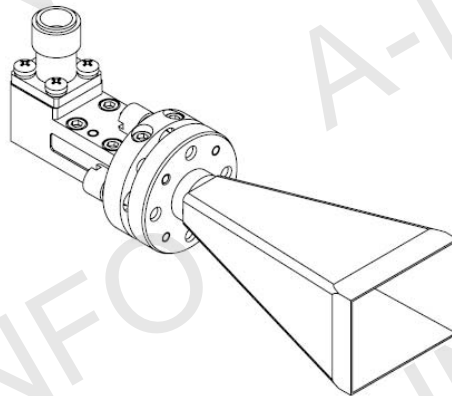
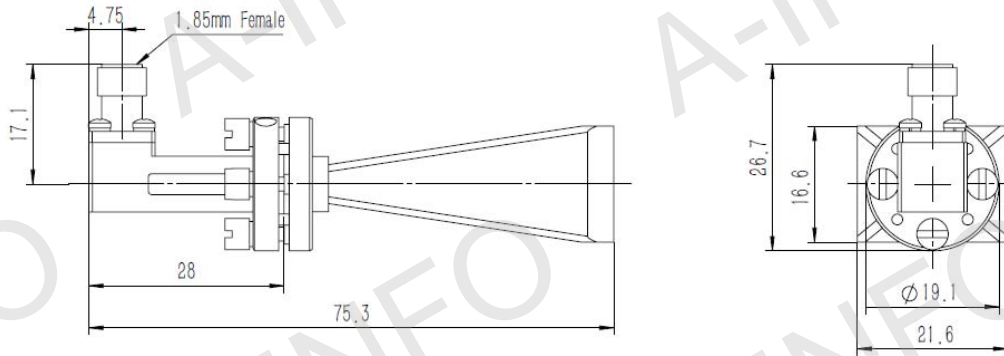
Frequency Range(GHz)	A Type:	50.0 - 75.0
	C Type:	50.0 - 65.0
Waveguide	WR15	
Gain(dBi)	20 Typ.	
Polarization	Linear	
3dB Beamwidth(deg)	18 Typ.	
Cross Pol. Isolation(dB)	40 Typ.	
VSWR	A Type:	1.1:1 Typ.
	C Type:	1.5:1 Typ.
Output	A Type:	FUGP620(UG-385/U)
	C Type:	1.85mm-Female
Material	Cu	
Size(mm)	A Type:	21.6 x 19.1 x 47.3
	C Type:	21.6 x 26.7 x 75.3
Net Weight(Kg)	A Type:	0.03 Around
	C Type:	0.06 Around

Outline Drawing (Size: mm)

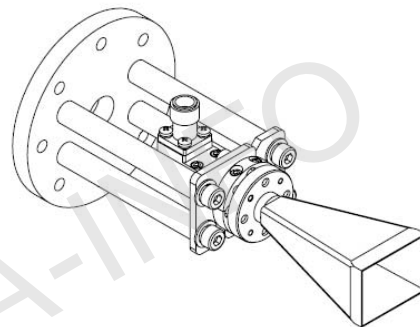
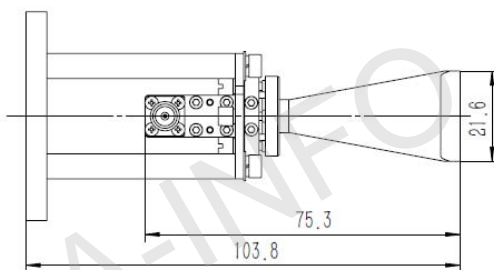
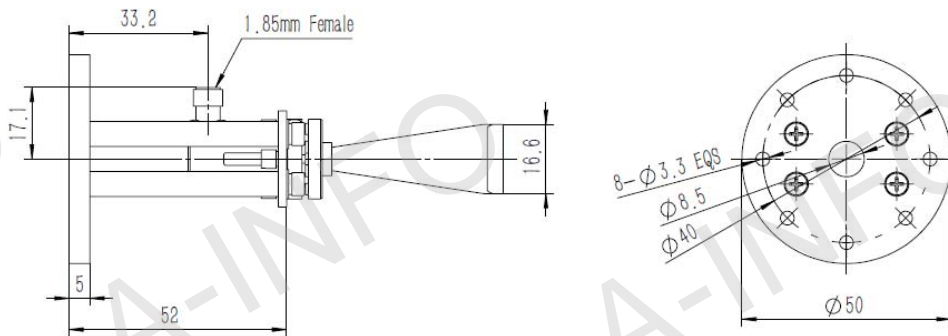
A Type(With FUGP620 Output)



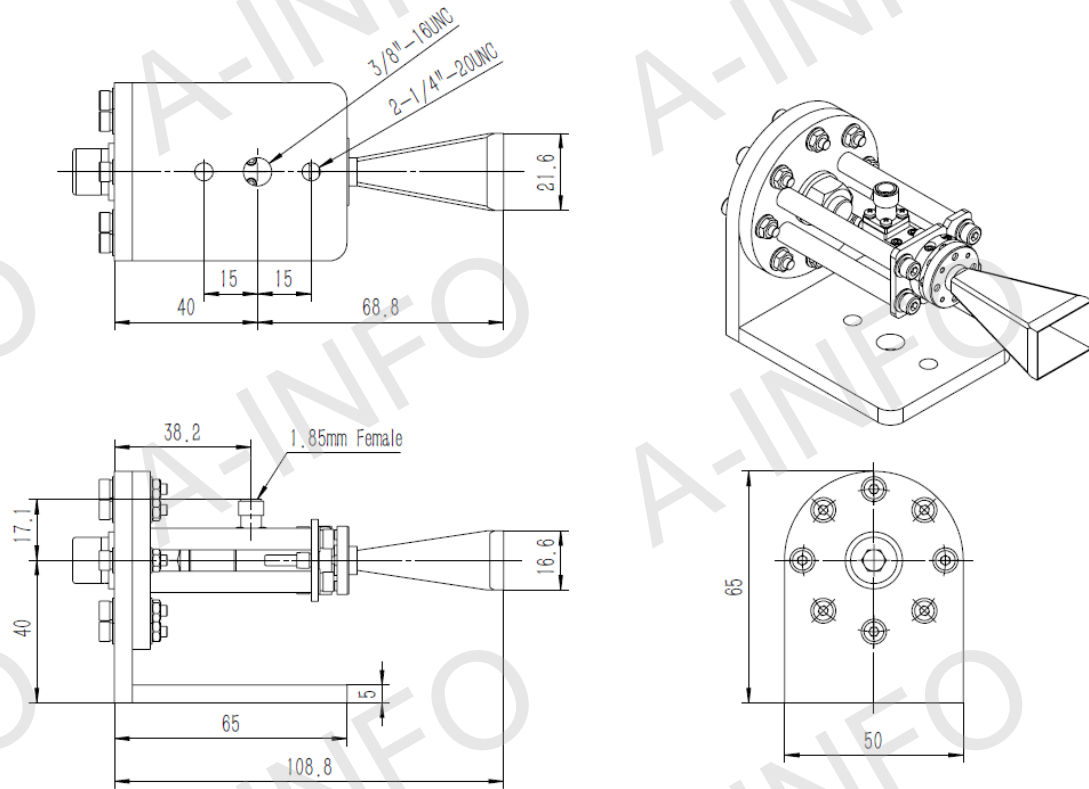
C Type(With 1.85mm-Female Output)



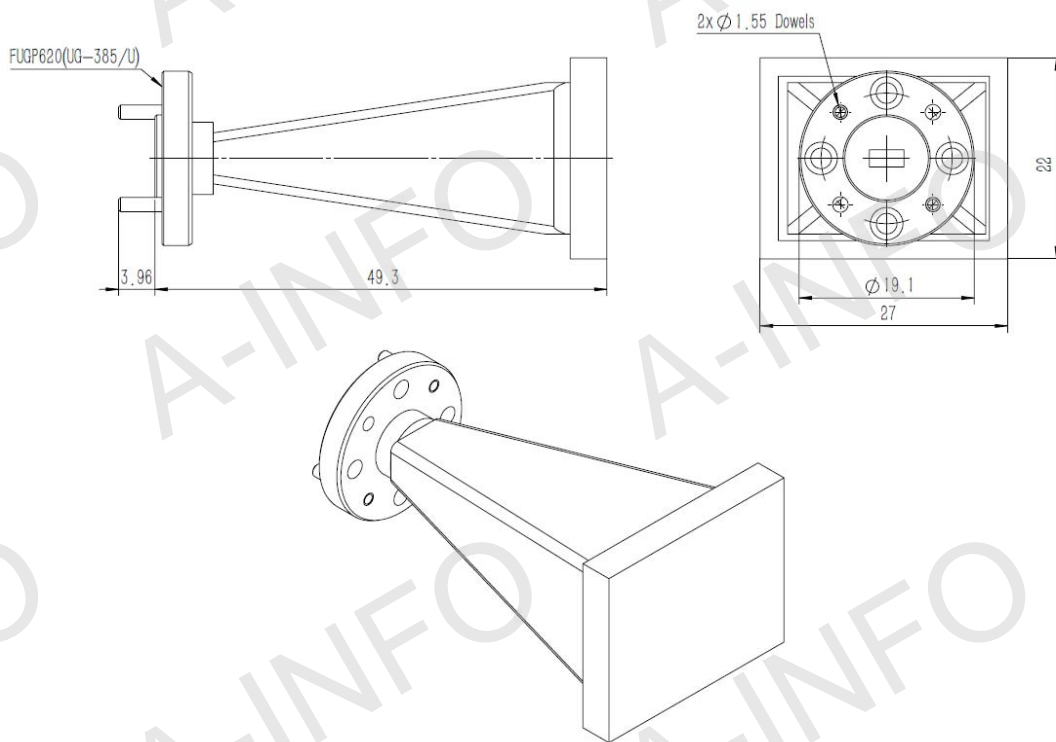
C Type(With 1.85mm-Female Output & Round Mounting Bracket)



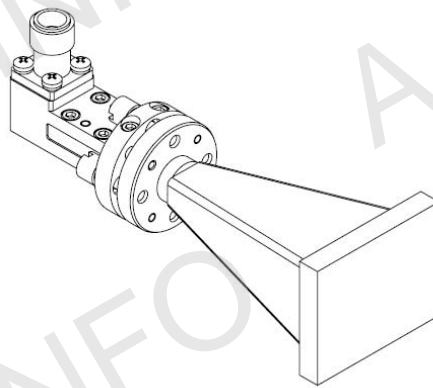
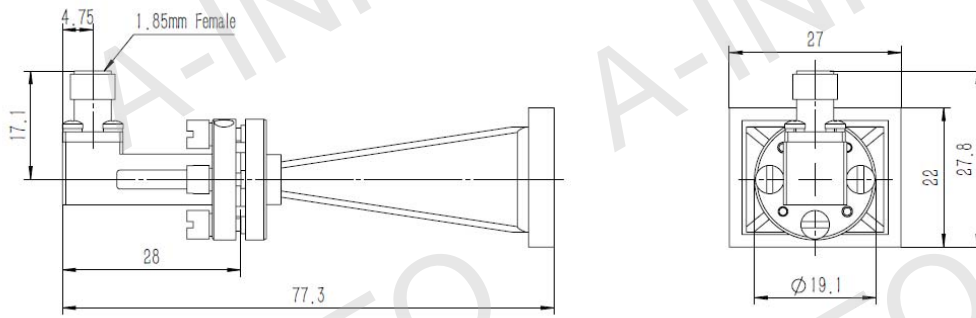
C Type(With 1.85mm-Female Output & L Type Mounting Bracket)



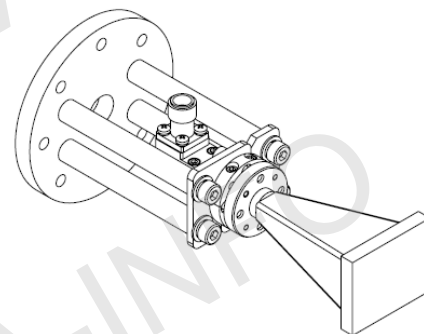
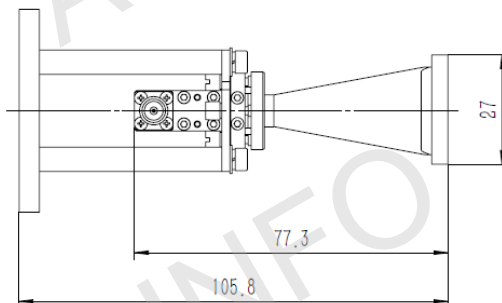
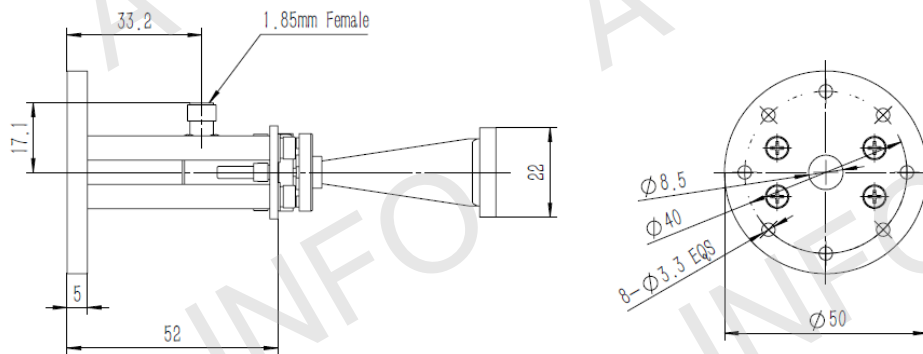
A Type(With Radome)



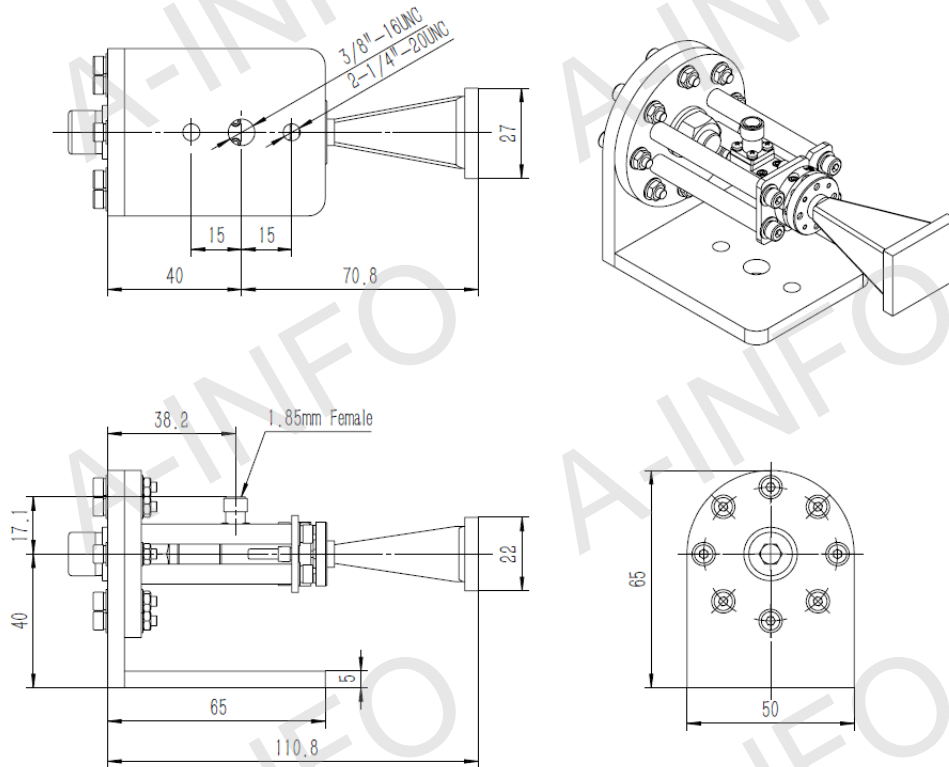
C Type(With 1.85mm-Female Output & Radome)



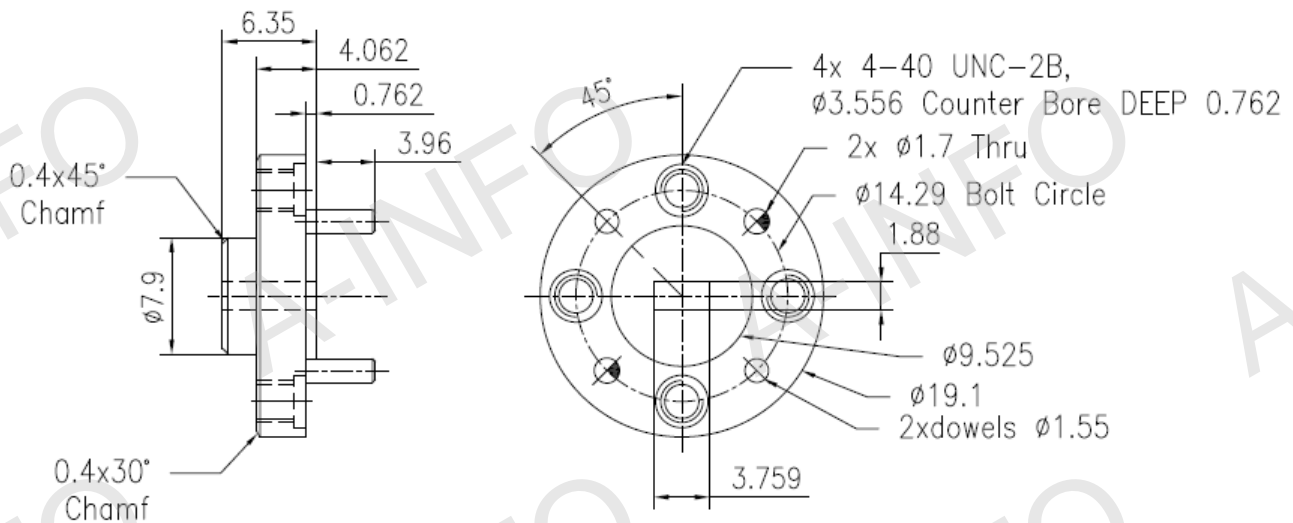
C Type(With 1.85mm-Female Output & Round Mounting Bracket & Radome)



C Type(With 1.85mm-Female Output & L Type Mounting Bracket & Radome)



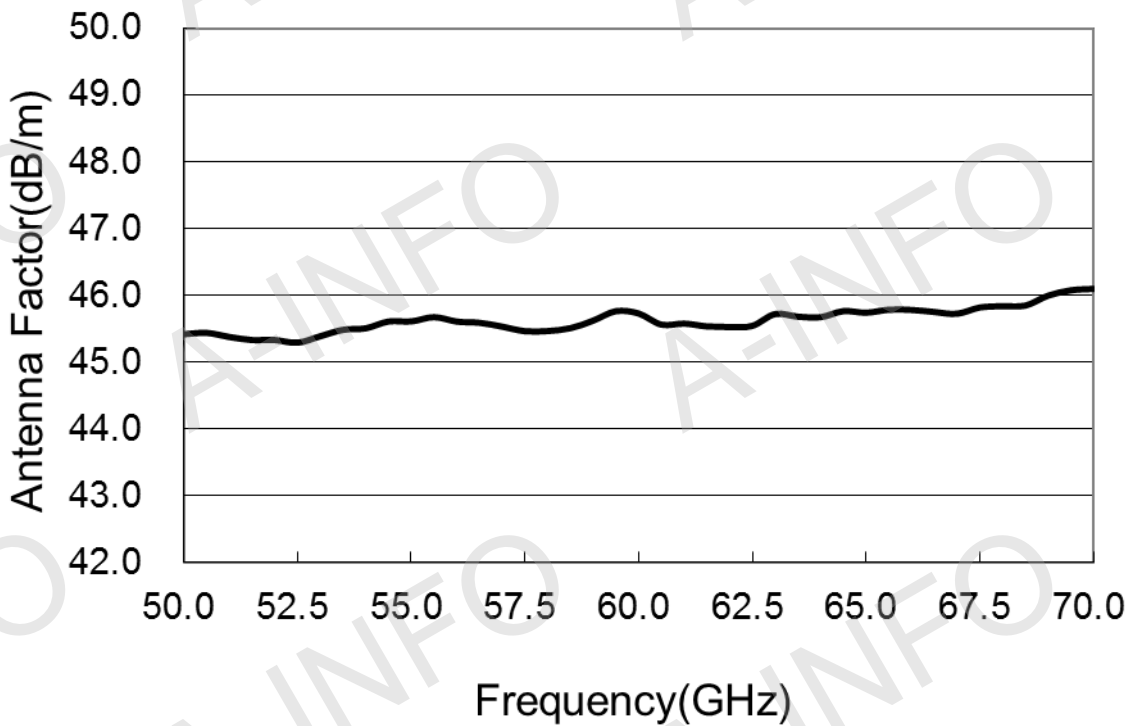
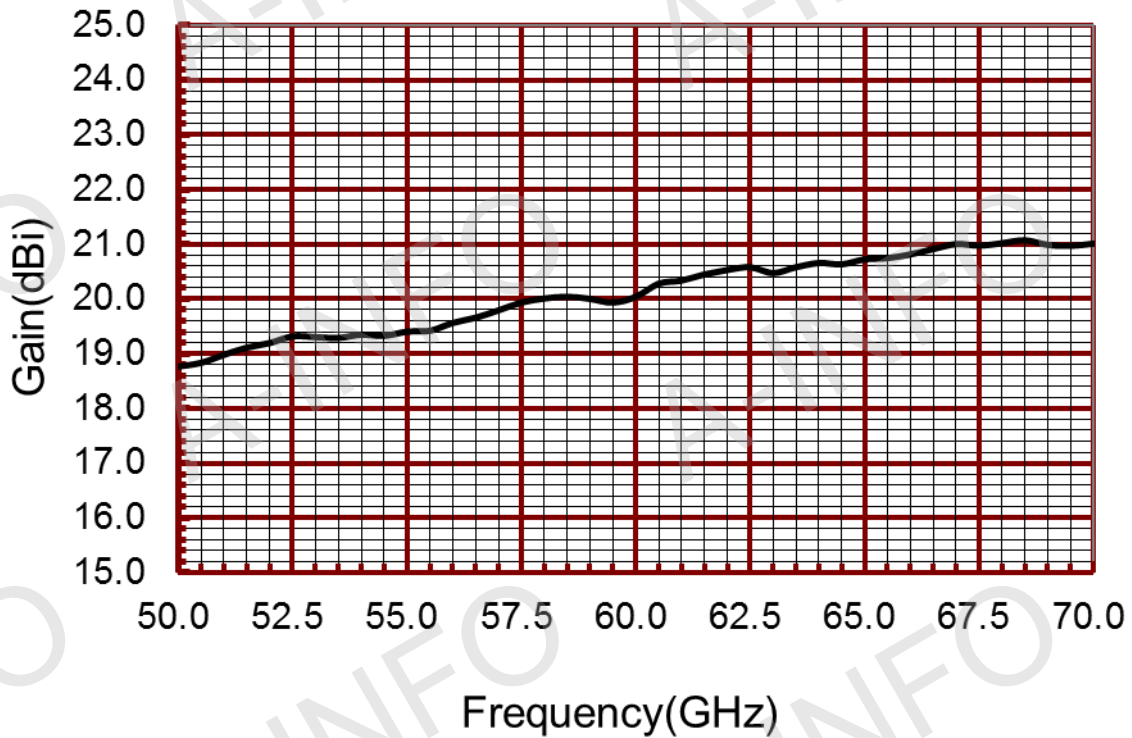
Flange Drawing (Size: mm)



FUGP620
(equivalent to UG-385/U)

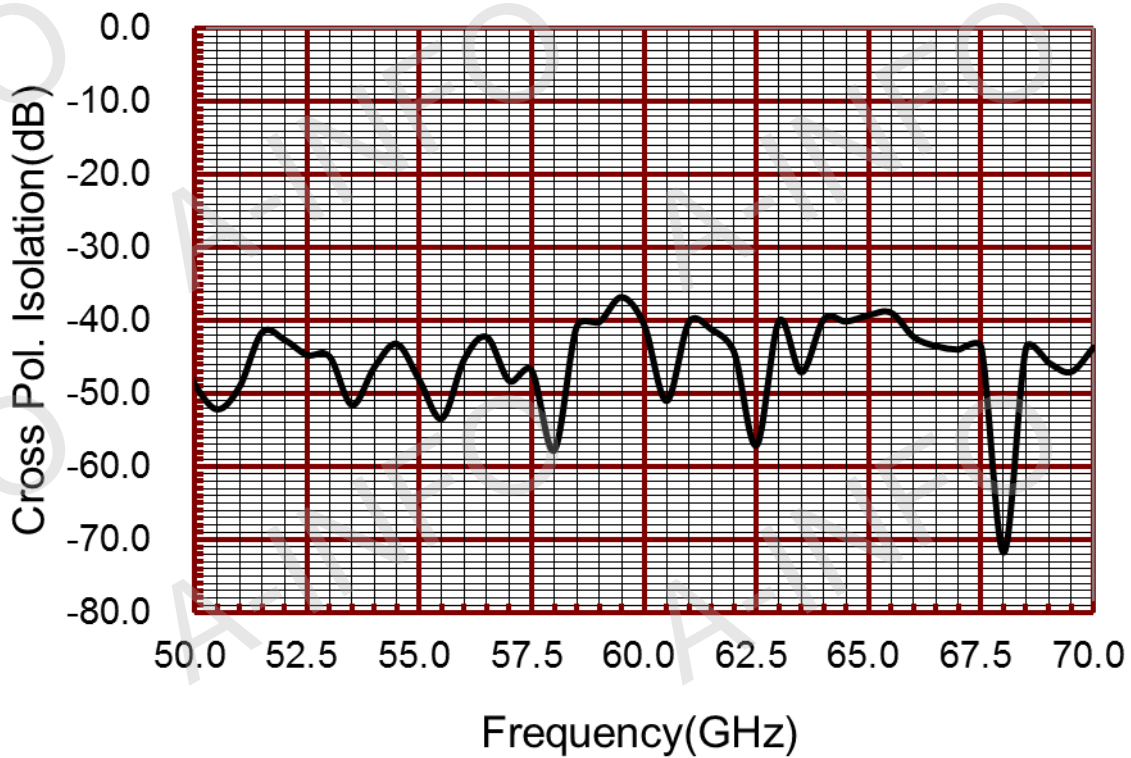
Test Results

1. Gain & Antenna Factor

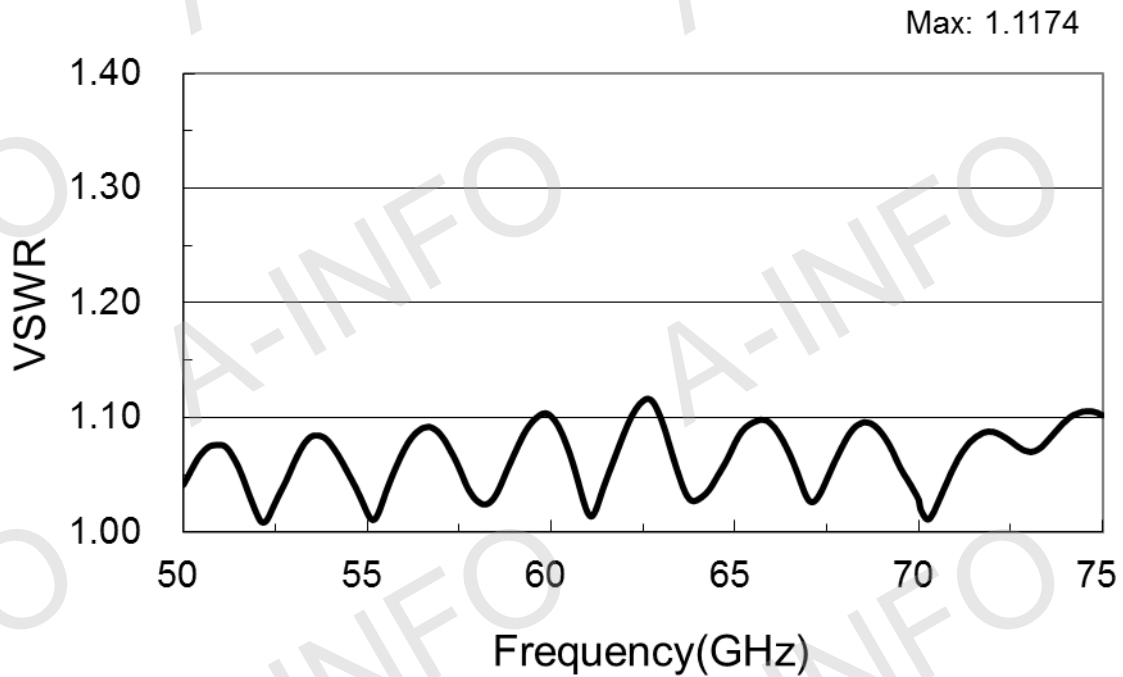


Frequency(GHz)	Gain(dBi)	Antenna Factor(dB/m)
50.0	18.77	45.42
52.0	19.19	45.33
54.0	19.35	45.51
56.0	19.56	45.61
58.0	20.01	45.47
60.0	20.04	45.73
62.0	20.53	45.53
64.0	20.66	45.68
66.0	20.82	45.78
68.0	21.02	45.84
70.0	21.01	46.10

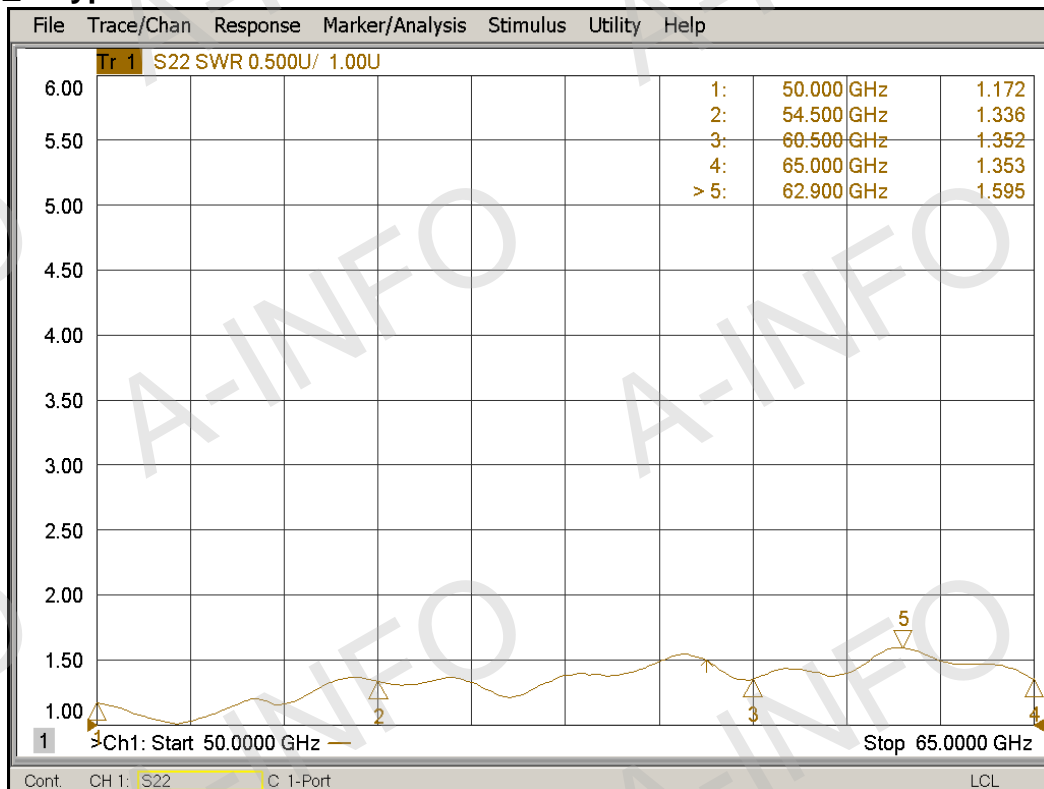
2. Cross Polarization Isolation



3. VSWR_A Type



VSWR_C Type



4. Pattern

