



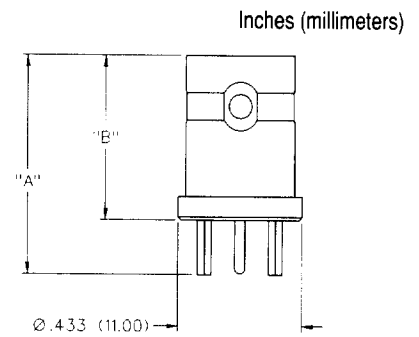
# BNC Connectors

PC MOUNT

## Straight Jack Receptacle

Part Number	Description	"A"	"B"
136-0701-204	50 Ohm, silver plated body	.716 (18.19)	.537 (13.64)
136-2701-204	75 Ohm, silver plated body	.718 (18.24)	.541 (13.74)
136-0701-217	50 Ohm, tin plated body	.914 (23.22)	.738 (18.75)
136-2701-217	75 Ohm, tin plated body	.914 (23.22)	.738 (18.75)

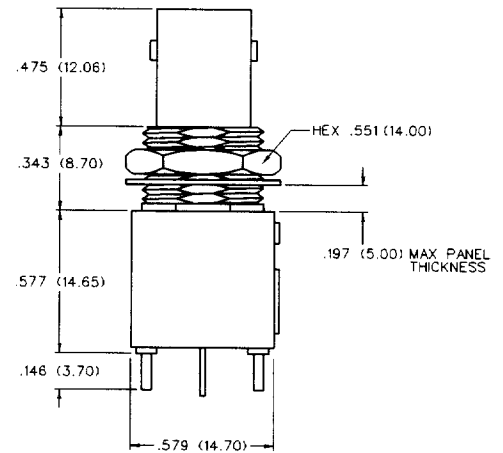
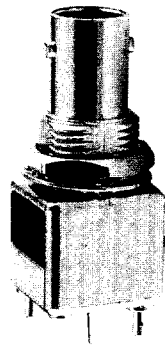
Mounting hole layout figure 3 page 45.



## Straight Bulkhead Jack Receptacle Shielded

136-1701-206	50 Ohm
136-3701-206	75 Ohm

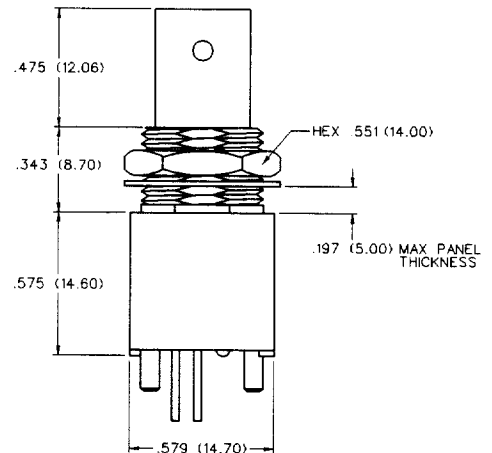
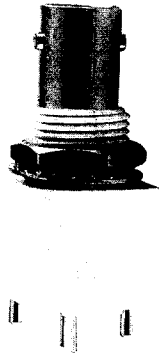
Mounting hole layout figures 1 and 4 page 45.



## Straight Bulkhead Jack Receptacle Isolated

136-1701-216	50 Ohm, w/mounting posts
136-3701-216	75 Ohm, w/mounting posts

Mounting hole layout figures 1 and 4 page 45.



## Right Angle Bulkhead Jack Receptacle Shielded

136-1701-506	50 Ohm
136-3701-506	75 Ohm

Mounting hole layout figures 1 and 5 page 45.

