

straight plugs

SUHNER QUICK-FIT

stripping tools see page 11

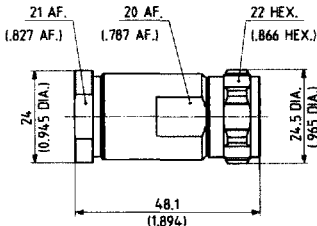
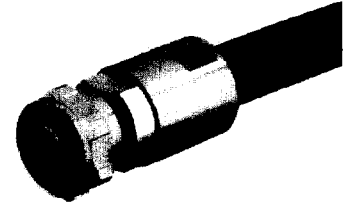


fig. 1

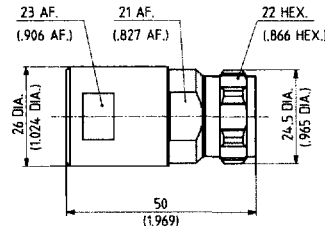


fig. 2

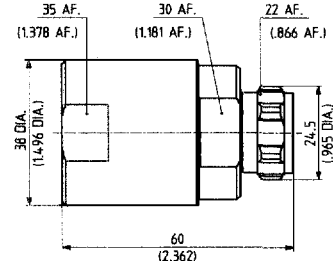


fig. 3

| SUHNER TYPE | Ident. no. | Suitable cables | Weight | Al | Fig. |
|-------------------------|------------|--|----------------|------|------|
| 11 4195-50-9-2c | 650784 | 1/2" Superflex *: FSJ4-50B, HCF 1/2" Cu2Y AlCu | 88 g/3.08 oz. | 9152 | 1 |
| 11 4195-50-12-3c | 650786 | 1/2" *: SUCOFEED 1/2", LDF4-50A, LCF 1/2" Cu2Y | 98 g/3.42 oz. | 9153 | 2 |
| 11 4195-50-23-1c | 650788 | 7/8" *: SUCOFEED 7/8", LDF5-50A, LCF 7/8" Cu2Y | 221 g/7.74 oz. | 9154 | 3 |

* foam dielectric corrugated copper tube cable

right angle plugs

VSWR ≤ 1.22 for f ≤ 2.0 GHz

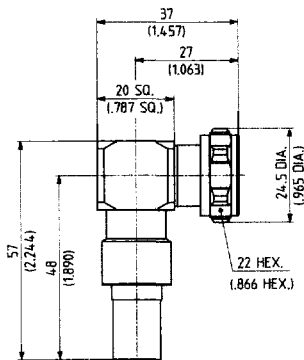


fig. 1

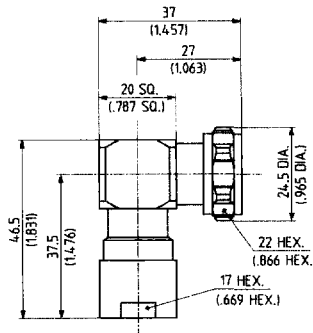
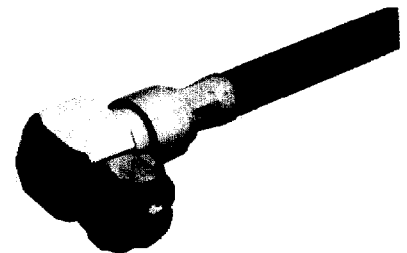


fig. 2



| SUHNER TYPE | Ident. no. | Suitable cables | Weight | Al | Notes | Fig. |
|-------------------------|------------|------------------------|----------------|-------|---|------|
| 16 4195-50-7-1c | 650520 | S 07262 BD, RG214/U | 104 g/3.64 oz. | 27016 | outer conductor crimp D inner conductor soldered | 1 |
| 16 4195-50-8-10c | 647000 | LDF2-50, LCF 3/8" Cu2Y | 109 g/3.82 oz. | 27008 | outer conductor clamp inner conductor plugged in | 2 |