

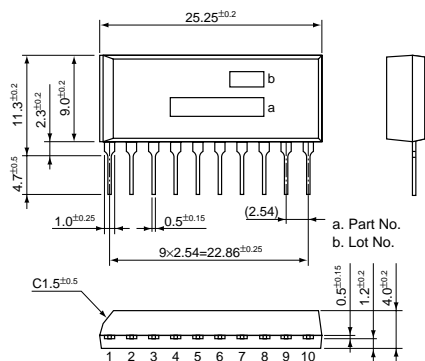
2-3-3 For Motor Drive

■H-Bridge

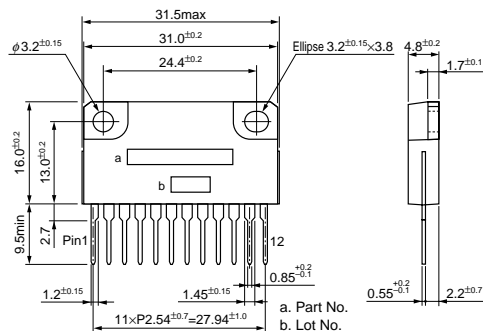
Part No.	Number of Circuits	$V_{CE0}(V)$ / $V_{DSS}(V)$		$I_c(A)$ / $I_D(A)$		Chip	hFE (min)	$R_{DS(ON)}$ max(Ω)	Package	Fig. No.
STA458C	4	± 30		± 5		Bipolar	40		SIP10Pin	1
STA474A		± 60		± 2		Bipolar	2000		SIP10Pin	
STA431A				± 3		Bipolar	40		SIP10Pin	
STA434A						Bipolar	1000		SIP10Pin	
STA457C						Bipolar	2000		SIP10Pin	
SLA4310				± 4		Bipolar	80		SIP12Pin with fin	2
SLA4340						Bipolar	2000		SIP12Pin with fin	
SLA5007						MOS		0.22/0.55	SIP12Pin with fin	
SLA5018						MOS		0.22/0.55	SIP12Pin with fin	
SMA5103						MOS		0.22/0.55	SIP12Pin	
SLA8001				± 12		Bipolar	50		SIP12Pin with fin	2
SDH03		$+100/-60$		± 1.5		Bipolar	2000		SMD16Pin	4
SLA5008						MOS		0.6/1.3	SIP12Pin with fin	2
SLA4390						Bipolar	2000		SIP12Pin with fin	
SLA4391						Bipolar	1000		SIP12Pin with fin	
SLA5013				± 5				0.3/0.7	SIP12Pin with fin	

External Dimensions

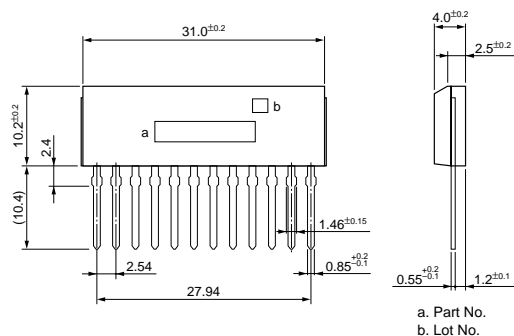
• No. 1 (STA 10 pin)



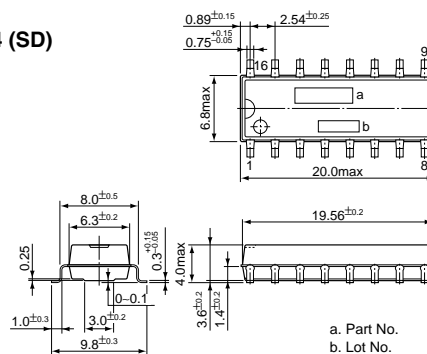
• No. 2 (SLA 12 pin)



• No. 3 (SMA)



• No. 4 (SD)



(unit: mm)