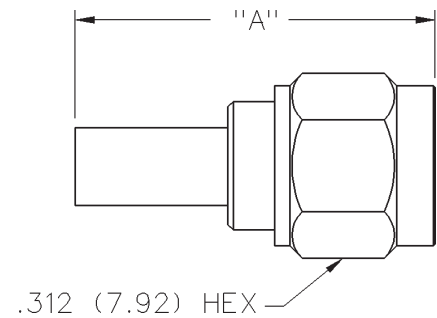


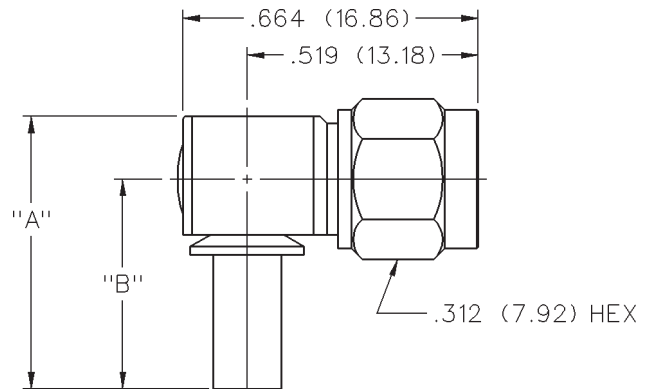
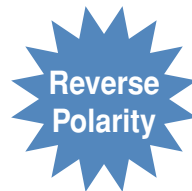
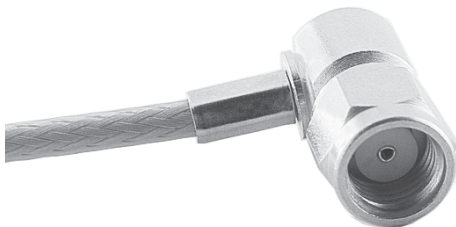
Straight Crimp Type Plug - Solder or Crimp Captivated Contact



CABLE TYPE	VSWR & FREQ. RANGE	GOLD PLATED	NICKEL PLATED	"A"
RG-316/U, 188, 174, 161 LMR-100, HPF-100, RF-100	1.15 + .02f (GHz) 0-12.4 GHz	142-4403-001	142-4403-006	.706 (17.93)
RG-316 DS, 188 DS,	1.15 + .02f (GHz) 0-12.4 GHz	142-4404-001	142-4404-006	.706 (17.93)
RG-58/U, 141, 303, LMR-195, HPF-195, RF-195	1.17 + .025f (GHz) 0-12.4 GHz	142-4407-001	142-4407-006	.706 (17.93)
RG-142/U, 55, 223, 400	1.17 + .02f (GHz) 0-12.4 GHz	142-4408-001	142-4408-006	.706 (17.93)
LMR-200, HPF-200, RF-200	1.10 + .03f (GHz) 0-12.4 GHz	142-4439-001	142-4439-006	.844 (21.44)
LMR-240, HPF-240, RF-240	1.10 + .03f (GHz) 0-12.4 GHz	142-4435-001	142-4435-006	.844 (21.44)

Assembly instructions: LMR 195, 200 and 240 page 230.
All other cables page 229. See page 190 for Cable Assembly Tools.

Right Angle Crimp Type Plug - Captivated Contact



CABLE TYPE	VSWR & FREQ. RANGE	GOLD PLATED	NICKEL PLATED	"A"	"B"
RG-316/U, 188, 174, 161, LMR-100, HPF-100, RF-100	1.15 + .03f (GHz) 0-12.4 GHz	142-4403-101	142-4403-106	.611 (15.52)	.470 (11.94)
RG-316 DS, 188 DS	1.15 + .03f (GHz) 0-12.4 GHz	142-4404-101	142-4404-106	.611 (15.52)	.470 (11.94)
RG-58/U, 141, 303, LMR-195, HPF-195, RF-195	1.17 + .06f (GHz) 0-12.4 GHz	142-4407-101	142-4407-106	.611 (15.52)	.470 (11.94)
RG-142/U, 55, 223, 400	1.15 + .03f (GHz) 0-12.4 GHz	142-4408-101	142-4408-106	.611 (15.52)	.470 (11.94)
LMR-200, HPF-200, RF-200	1.10 + .06f (GHz) 0-12.4 GHz	142-4439-101	142-4439-106	.611 (15.52)	.470 (11.94)
LMR-240, HPF-240, RF-240	1.10 + .06f (GHz) 0-12.4 GHz	142-4435-101	142-4435-106	.635 (16.13)	.490 (12.45)

Assembly instructions: LMR 195, 200 and 240 page 233.
All other cables page 232. See page 190 for Cable Assembly Tools.