

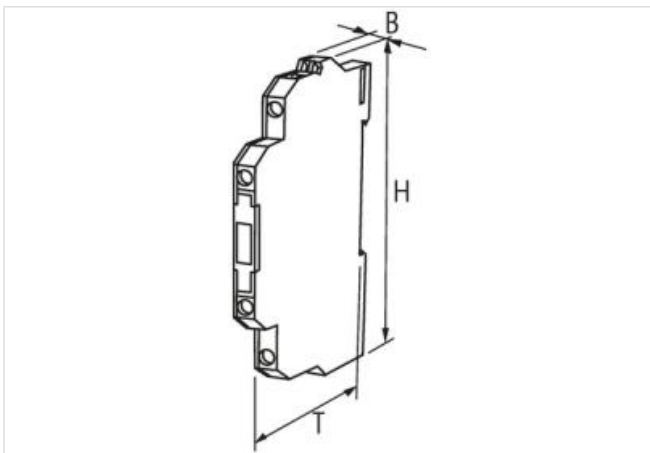
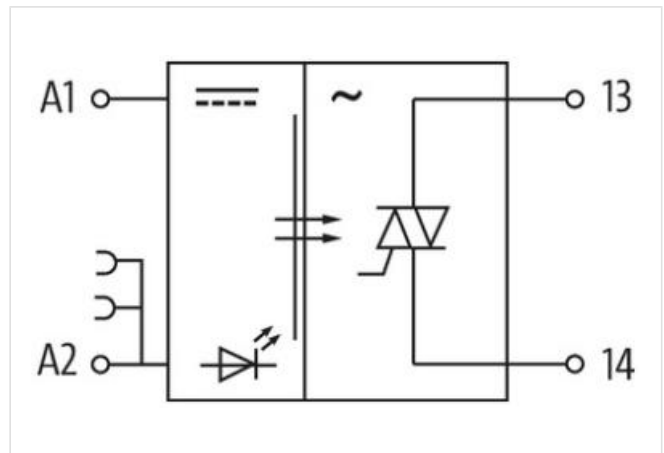
MIRO 6.2 24VDC-250VAC/1A OPTO-COUPLER MODULE

IN: 53 VDC - OUT: 250 VAC / 1 A

Triac 1 A
53 V DC
Screw terminals

[Link to Product](#)

Illustration



Product may differ from Image



Commercial data

ECLASS-6.0	27371604
ECLASS-6.1	27371604
ECLASS-7.0	27371604
ECLASS-8.0	27371604
ECLASS-9.0	27371604
ECLASS-10.1	27371604

ECLASS-11.1	27371604
ECLASS-12.0	27371604
ETIM-5.0	EC001504
customs tariff number	85414900
GTIN	4048879026734
Packaging unit	1

Electrical data | Input

Input voltage OFF DC min.	0 V
Input voltage OFF DC max.	3 V
Input voltage DC	24 V
Input voltage DC min.	12 V
Input voltage DC max.	53 V
Current input DC	8,3 mA

Electrical data | Output

Switch off delay max.	10 ms
Switch on delay max.	10 ms
Quiescent current OFF max.	1 mA
Additional condition switching frequency	depending on wiring
Switching frequency max.	2 Hz
Voltage switching AC min.	12 V
Switching voltage AC max.	250 V
Current switching min.	10 mA
Switching current max.	1 A
Voltage drop AC max.	1,5 V

Diagnostics

Status indication LED	yellow
-----------------------	--------

Device protection | Electrical

Rated surge voltage	2,5 kV
---------------------	--------

Device protection | Media

Flame resistance	flame retardant
------------------	-----------------

Mechanical data | Material data

Color housing	black
Material housing	Plastic

Mechanical data | Mounting data

Mounting method	geschnappt
Suitable for mounting type	mounting rail, (EN 60715)
Height	78 mm
Width	6,2 mm
Depth	70 mm

Environmental characteristics | Climatic

Operating temperature min.	0 °C
Operating temperature max.	60 °C

Connection type 4

Connection	Screw terminals SK
Family construction form	terminal
Gender	female
Color contact carrier	black
No. of poles	1
PIN 1	13
Connection	Screw terminals SK
Family construction form	terminal

Gender	female
Color contact carrier	black
No. of poles	1
PIN 1	14
Connection	Screw terminals SK
Family construction form	terminal
Gender	female
Color contact carrier	black
No. of poles	1
PIN 1	A 1
Connection	Screw terminals SK
Family construction form	terminal
Gender	female
Color contact carrier	black
No. of poles	1
PIN 1	A 2