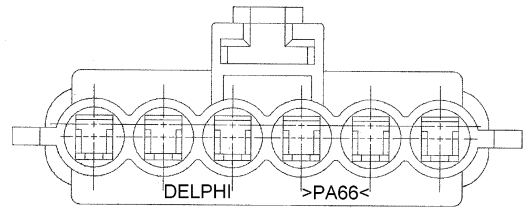
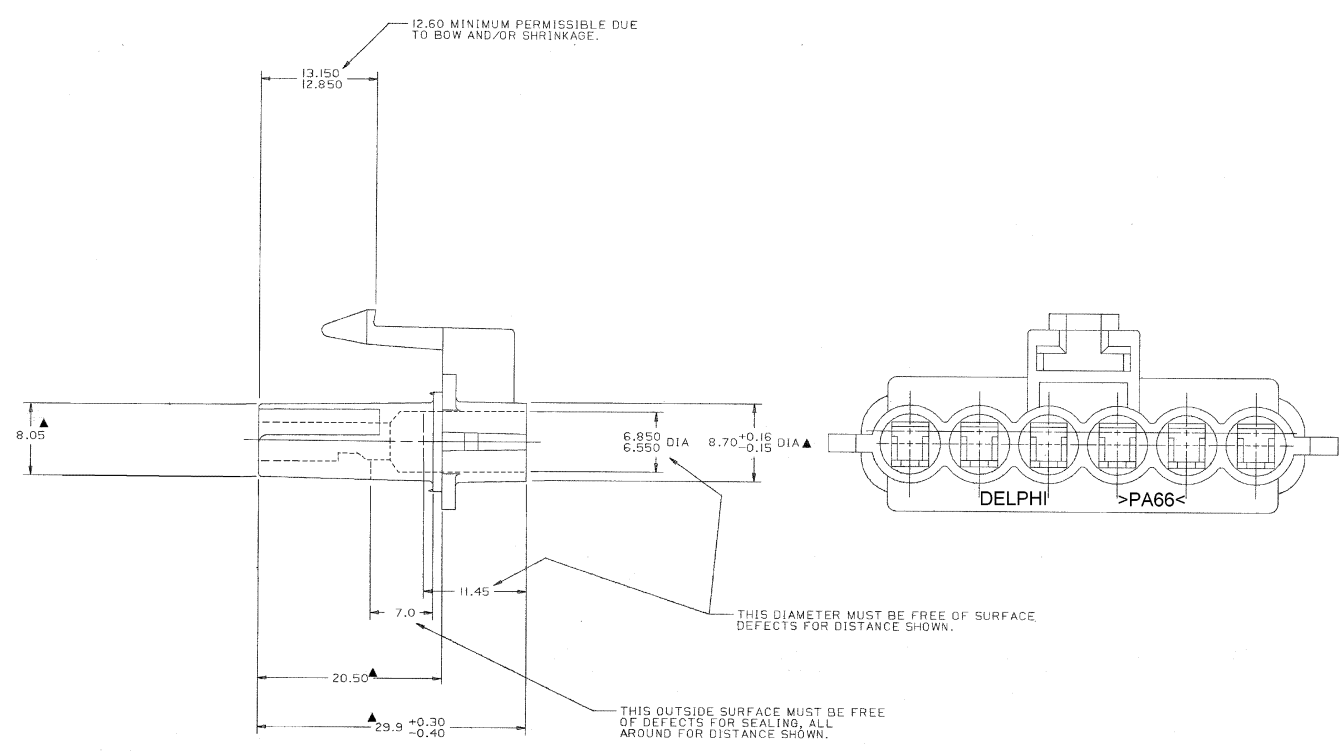
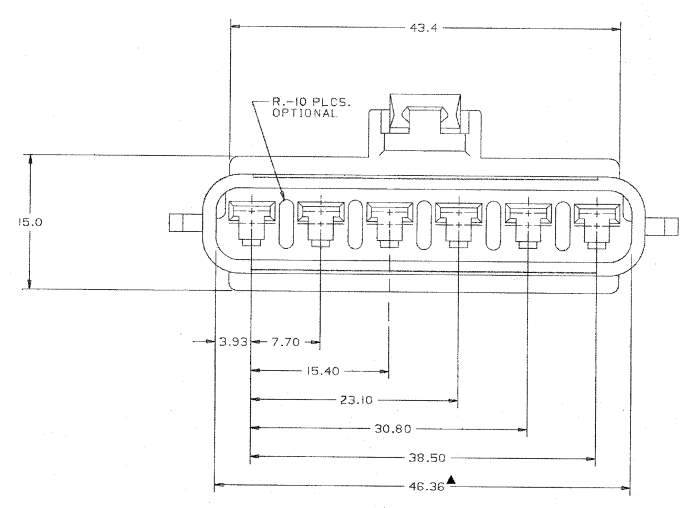
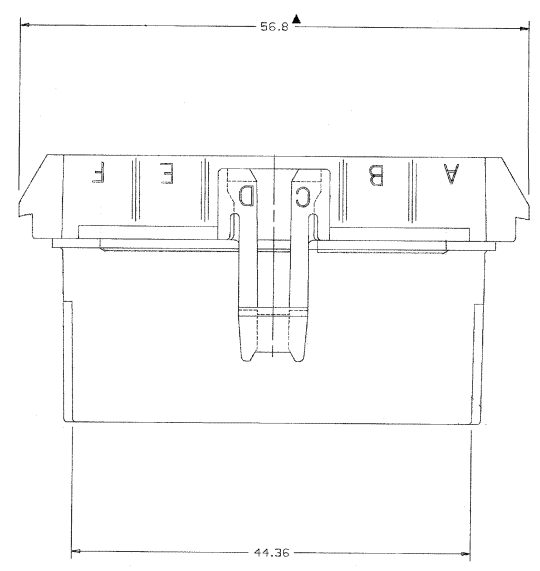


DELPHI PACKARD ELECTRIC SYSTEMS
WARREN, OHIO 44486

DWG STATUS				REVISION HISTORY				AUTH		APV	
DATE	REV	ENG	N/P	DATE	REV	ENG	N/P	DR	OR	DR	OR
05MR02	R	E1	-					22150	RH	RH	ET



- NOTES**
1. ALL RADII 0.40 UNLESS OTHERWISE SPECIFIED.
 2. DIMENSIONS ARE TO FACE OF VIEW SHOWN UNLESS OTHERWISE INDICATED.
 3. 1° DRAFT ON ALL OUTSIDE SURFACES UNLESS OTHERWISE SPECIFIED.
 4. CAVITIES ARE IDENTICAL.
 5. CAVITIES ACCEPT I2077412 TERMINAL OR EQUIVALENT.
 6. LOCKING FEATURES ARE IDENTICAL.
 7. THIS CONNECTOR IS TO ACCEPT C.P.A. LOCK I2052834 OR EQUIVALENT.
 8. THIS PART IS CONTROLLED FOR AUTOMATIC FEEDING AS DENOTED ON DRAWING WITH "▲".
 9. THIS CONNECTOR TO ACCEPT T.P.A. I2059195 OR EQUIVALENT.
 10. THIS CONNECTOR MATES TO DELCO REMY PART NO. 22062394 OR EQUIVALENT.
 11. (2.3) X (0.1) RAISED DELPHI CORPORATE BRAND TO BE LOCATED ON ANY EXTERIOR SURFACE, PREFERABLY VISIBLE AT FINAL ASSEMBLY. OPTIONAL CONSTRUCTION TO BE "PED" OR NO LOGO.
 12. MATERIAL RECYCLING CODE >PA66< PER SAE J1344. (2.3) X (0.1) RAISED CHARACTERS AS SHOWN TO BE LOCATED ON ANY EXTERIOR SURFACE. OPTIONAL CONSTRUCTION TO BE NO MATERIAL RECYCLING CODE.

DELPHI Automotive Systems		MATERIAL SPEC H3592001 PA66 HS IM BLK		TOLERANCE UNLESS OTHERWISE SPECIFIED DECIMAL ONE PLACE ± 0.3 TWO PLACE ± 0.15 ANGULAR ± 2°	
SUBSTANCES OF CONCERN AND RECYCLED CONTENT PER DELPHI - A 1094-9001					
PART DRAWING					
CODE NUMBER 6900	DWG DATE 28MY05	SCALE 4:1	DISTR CODE D		
PART GEOMETRY 2D PLANAR					
UNLESS OTHERWISE SPECIFIED: THIS DOCUMENT IS IN ACCORDANCE WITH ASME Y14.5M - 1994 AS AMENDED BY THE GM GLOBAL DIMENSIONING AND TOLERANCING ADDENDUM - 1997. ALL GEOMETRIC TOLERANCES AND RELATED DATUMS APPLY RFS. RULE #1 (PERFECT FORM AT MMC). DOES NOT APPLY WHEN RELATIONSHIP BETWEEN FEATURES IS ESTABLISHED BY ORIENTATION OR LOCATION TOLERANCES. SEPARATE POSITION CALLOUTS MAY BE GAGED SEPARATELY REGARDLESS OF DATUM REFERENCES.					
DO NOT SCALE	REFERENCE	DR	DATE		
METRIC UNLESS OTHERWISE SPECIFIED, ALL DIMENSIONS ARE IN MILLIMETERS	APV01	R. HERMOSILLO	05MR02		
	APV02	R. HERMOSILLO	05MR02		
	APV03	E. TRACEY	06MR02		
	APV04				
	APV05				
DRAWING NAME CONN 6F M/P 280					
SHEET NUMBER 1 OF 1	DRAWING NUMBER 12059572		DWG STATUS R E1	N/P	SIZE A0