

# Customer Information Sheet

DRAWING No.: S4091-XX / S4101-XX

SHEET 2 OF 2

IF IN DOUBT - ASK

©

NOT TO SCALE

THIRD ANGLE PROJECTION

ALL DIMENSIONS IN mm



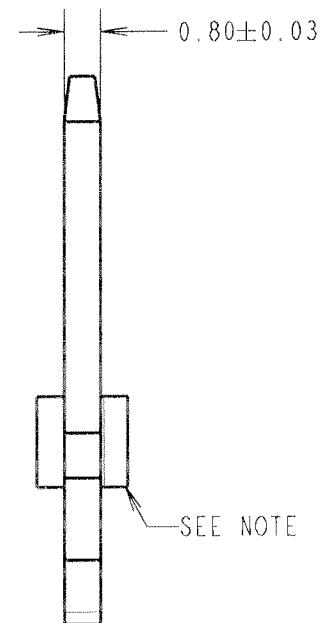
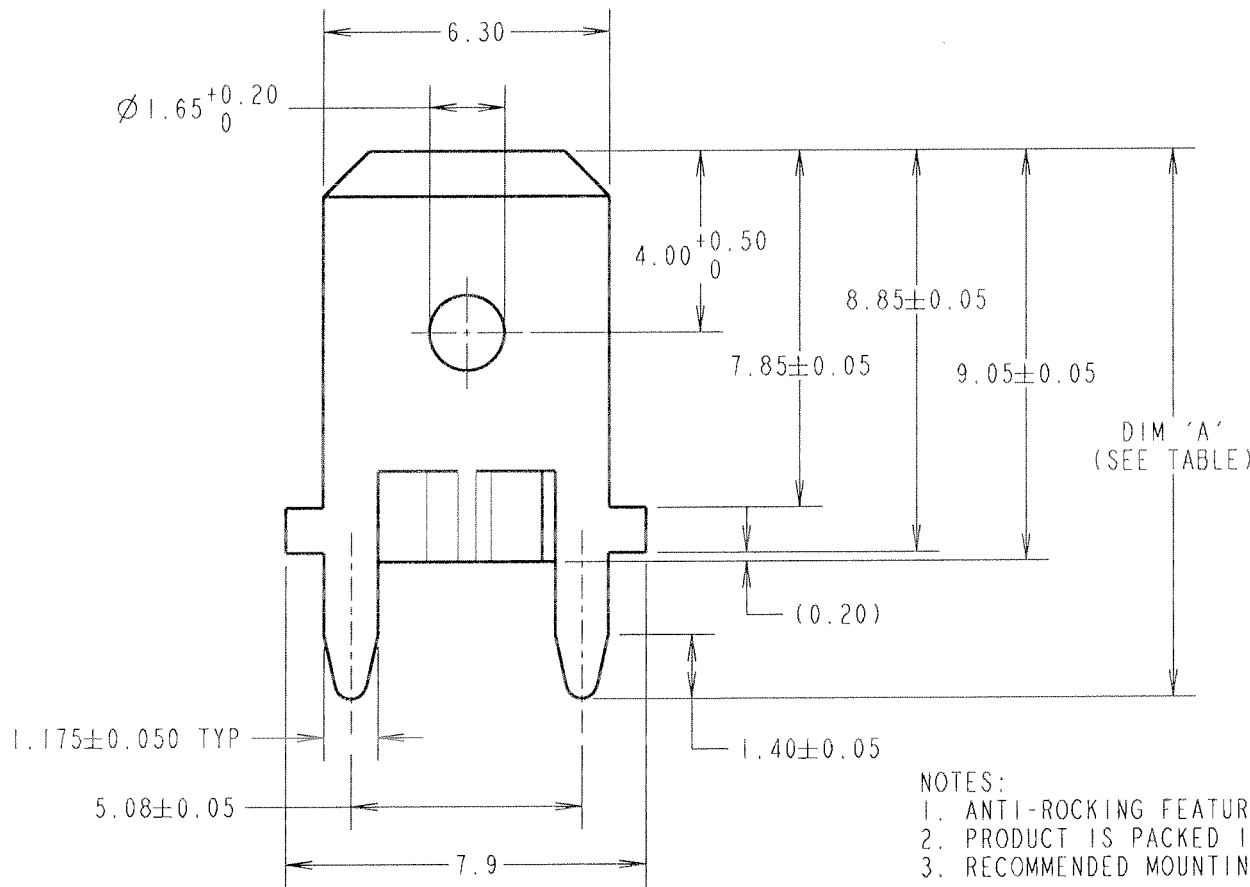
SEE NOTE 1

PART No.	DIM 'A'	PCB THICKNESS
S4091-XX	12.05	1.60
S4101-XX	12.85	2.40

ORDER CODE:  
**S4XX1-XX**

TYPE: \_\_\_\_\_  
09, 10

FINISH: \_\_\_\_\_  
~~06 = TIN/LEAD~~  
46 = 100% TIN



NOTES:

1. ANTI-ROCKING FEATURE.
2. PRODUCT IS PACKED IN QUANTITIES OF 1K.
3. RECOMMENDED MOUNTING HOLE SIZE =  $\varnothing 1.25 \pm 0.06$ mm.

RA	15	21.06.07	9801
NAME	ISS.	DATE	C/NOTE
APPROVED: <i>[Signature]</i>			
CHECKED: <i>[Signature]</i>			
DRAWN:		I. SANDY	
CUSTOMER REF.:			
ASSEMBLY DRG:			

**HARWIN**

HARWIN USA  
TEL: 603 893 5376  
FAX: 603 893 5396  
mis@harwin.com

HARWIN Europe (UK)  
TEL: 023 9231 4545  
FAX: 023 9231 4590  
mis@harwin.co.uk

HARWIN Asia  
TEL: +65 6 779 4909  
FAX: +65 6 779 3868  
mis@harwin.com.sg

THIS DRAWING AND ANY INFORMATION OR DESCRIPTIVE MATTER SET OUT HEREON ARE CONFIDENTIAL AND COPYRIGHT PROPERTY OF THE HARWIN GROUP AND MUST NOT BE DISCLOSED, LOANED, COPIED OR USED FOR MANUFACTURING, TENDERING OR FOR ANY OTHER PURPOSE WITHOUT THEIR WRITTEN PERMISSION.

TOLERANCES  
X. =  $\pm 1$ mm  
X.X =  $\pm 0.25$ mm  
X.XX =  $\pm 0.10$ mm  
X.XXX =  $\pm 0.01$ mm  
ANGLES =  $\pm 5^\circ$   
UNLESS STATED

MATERIAL:  
BRASS CW508L TO BS EN 1652 (CuZn37)  
FINISH: SEE ABOVE  
S/AREA: mm<sup>2</sup>

TITLE:  
6.3mm BLADE VERTICAL  
LOOSE TAB TERMINAL

DRAWING NUMBER:  
**S4091-XX / S4101-XX**

SHT  
2 OF 2