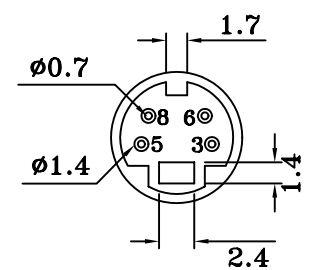
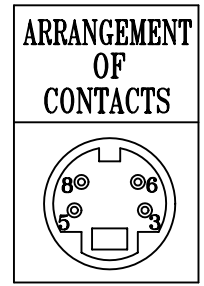
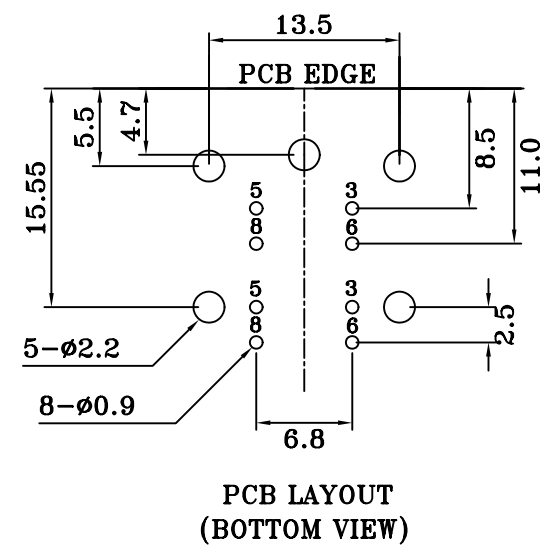
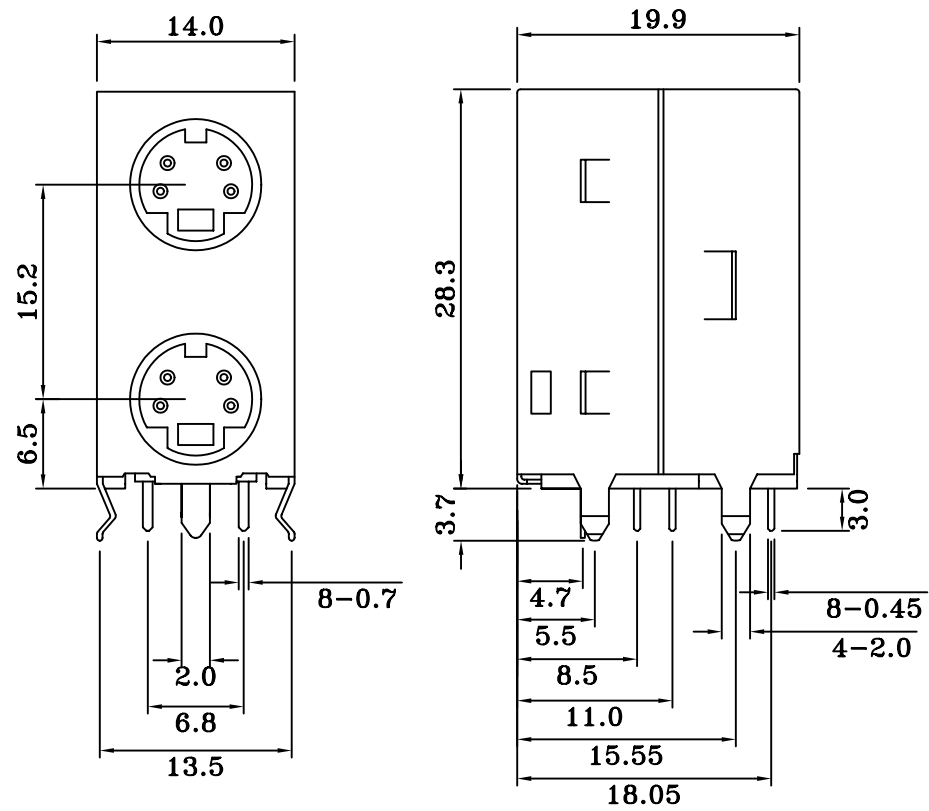


1 2 3 4 5 6 7 8 9 0

J
I
H
G
F
E
D
C
B
A



NO.	NAME	MATERIAL	FINISH	REMARK	Q'TY
1	TOP HOUSING	P.B.T.	BLACK		1
2	BOTTOM HOUSING	P.B.T.	BLACK		1
3	BACK COVER	P.B.T.	BLACK		1
4	CONTACT TERM.	PHOS. BRONZE	GOLD/TIN PLATED	NI:1~1.5u; TIN:3u GOLD:1~3u	8
5	FRONT SHIELD	BRASS	TIN PLATED	TIN:3~5u	1
6	BACK SHIELD	BRASS	TIN PLATED	TIN:3~5u	1

MORETHANALL
CONNECTORS
ASSEMBLIES

煜倫有限公司

PART NO. MDJB1-F-04

DWG NO. MDJB1-F-04

FILE NO.

UNIT / mm

SCALE 1:1

CHECKED BY CY

DRAWING BY

PROJECTION

TOLERANCES ARE

.X ± 0.3
.XX ±
.XXX ±
AWG

DESCRIPTION:
AREA

SHIELDED DOUBLE MINI DIN
REVISIONS
HK
DATE