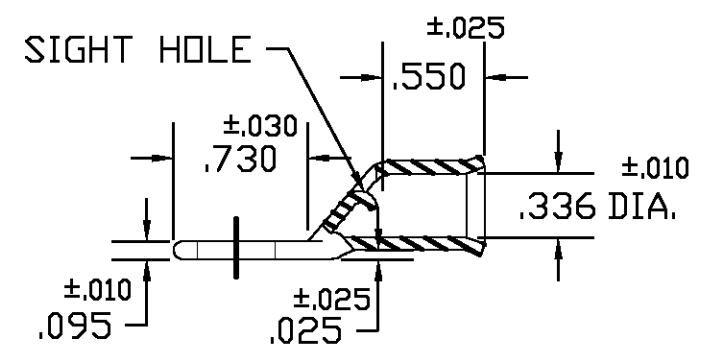
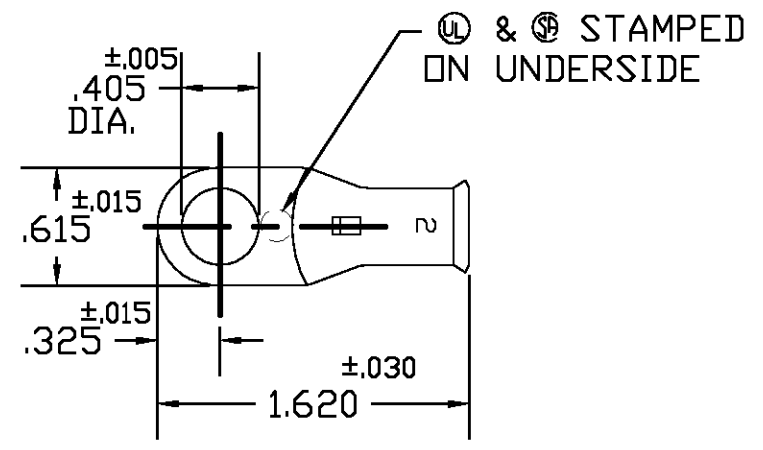


THIS DRAWING IS UNPUBLISHED. RELEASED FOR PUBLICATION
 © COPYRIGHT BY TYCO ELECTRONICS CORPORATION. ALL RIGHTS RESERVED.

LOC	DIST	REVISIONS			
P	LTR	DESCRIPTION	DATE	DWN	APVD
G	50	B	REV PER 0G3A-0079-02	10DEC02	JR MS



ACTIVE	2381-03-R	SMALL PACK	TIN PLATE	8-1526406-2
ACTIVE	2381-03	STANDARD	TIN PLATE	1526406-2
OBSOLETE	2381-02	STANDARD	PLAIN	1526406-1
STATUS	AET P/N	PACKAGING	FINISH	PART NUMBER

THIS DRAWING IS A CONTROLLED DOCUMENT.		DWN D.A.A 10/13/00	Tyco Electronics Corporation Harrisburg, PA 17105-3608	
DIMENSIONS: INCHES		CHK H.D.F 10/13/00	NAME 2A STANDARD TERMINAL W/SIGHT HOLE	
TOLERANCES UNLESS OTHERWISE SPECIFIED:		APVD H.D.F 10/13/00	PRODUCT SPEC -	
0 PLC ± -		APPLICATION SPEC -	SIZE A3	CAGE CODE 00779
1 PLC ± -		WEIGHT -	DRAWING NO C-1526406	RESTRICTED TO -
2 PLC ± -		CUSTOMER DRAWING	SCALE 1:1	SHEET 1 OF 1
3 PLC ± -			REV B	
4 PLC ± -				
ANGLES ± -				
FINISH -				
MATERIAL COPPER ASTM B-152				