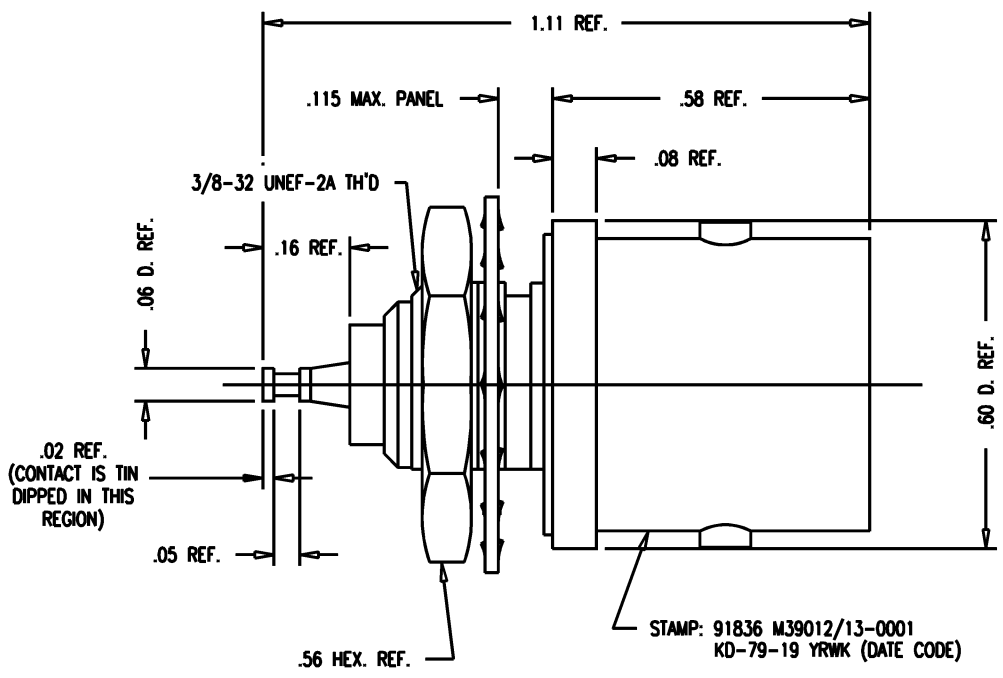


| | | |
|----------|--------|-----------|
| DASH NO. | M CODE | MADE FROM |
|----------|--------|-----------|

SD

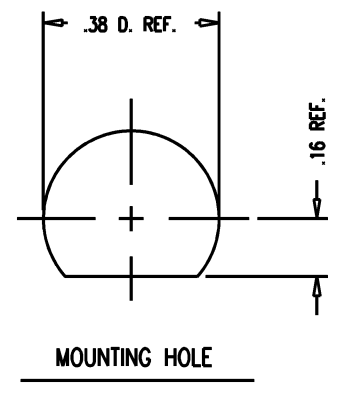
M39012/13-0001

| REVISIONS | |
|-----------|----------------------------|
| ISSUE | CHANGES |
| 0 | ER 7424 AME 05/02/69 |
| 1 | CN 23168 E GJG 03/24/82 |
| 2 | CN 32263 A LNM 06/07/90 |
| 3 | CN 38697 C BDH 10/21/02 |



NOTES:

- MATERIALS:
INSULATOR-TEFLON, ASTM-D-1457
GASKET-SILICONE RUBBER, ZZ-R-765
LOCKWASHER-PHOSPHOR BRONZE, QQ-B-750
CENTER CONTACT-BER. COP., ASTM-B-196
ALL OTHER METAL PARTS-BRASS, QQ-B-626
- FINISHES:
CENTER CONTACT-GOLD PLATE PER MIL-G-45204
ALL OTHER METAL PARTS-SILVER PLATE PER QQ-S-365
- ELECTRICAL CHARACTERISTICS:
NOMINAL IMPEDANCE-50 OHMS
FREQUENCY RANGE-DC TO 11 GHZ
WORKING VOLTAGE-1000 VRMS



KAM1208

| | | | |
|-------------------------|-----|------|----------|
| SCALE | 4:1 | | |
| APPROX SURFACE AREA | | | |
| KD-79-13 | | | |
| USED ON | | | |
| REF: | | | |
| RECEPTACLE, BULKHEAD, C | | | |
| DRAWN | KH | DATE | 06/13/91 |
| DESIGN | MJB | DATE | 06/13/91 |
| APPR. | | DATE | |

SD



M39012/13-0001

| | | |
|---|--|---|
| UNLESS OTHERWISE SPECIFIED | 2. REMOVE ALL BURRS, BREAK SHARP EDGES .005 MAX. | 7. ALL LEAD THREADS TO BE CHAMFERED 45° TO ROOT DIAMETER. * CRITICAL DIMENSIONS |
| 1. TOLERANCES: FRACTIONS & 2 PLACE DECIMALS ± .010 | 3. NO FILLETS PERMITTED. | |
| 3 PLACE DECIMALS ± .004 ANGLES ± 1° | 4. SURFACE ROUGHNESS 63 MICROINCHES RMS MAX. | |
| CONCENTRICITY OF ANY 2 DIAMETERS MAY NOT EXCEED HALF THE SUM OF THEIR TOLERANCES. | 5. ALL DIMENSIONS PRIOR TO PLATING. | |
| | 6. ALL PLATING IN ACCORDANCE WITH KER 10004. | |

MAY 2007 THIS DRAWING BECAME THE PROPERTY OF PROPERTY OF WINCHESTER ELECTRONICS CORPORATION, WALLINGFORD, CT 06492