

7408, LS08, S08 Gates

Quad Two-Input AND Gate
Product Specification

Logic Products

TYPE	TYPICAL PROPAGATION DELAY	TYPICAL SUPPLY CURRENT (TOTAL)
7408	15ns	16mA
74LS08	9ns	3.4mA
74S08	5ns	25mA

ORDERING CODE

PACKAGES	COMMERCIAL RANGE $V_{CC} = 5V \pm 5\%$; $T_A = 0^\circ C$ to $+70^\circ C$
Plastic DIP	N7408N, N74LS08N, N74S08N
Plastic SO	N74LS08N, N74S08N

FUNCTION TABLE

INPUTS		OUTPUT
A	B	Y
L	L	L
L	H	L
H	L	L
H	H	H

H = HIGH voltage level
L = LOW voltage level

NOTE:

For information regarding devices processed to Military Specifications, see the Signetics Military Products Data Manual.

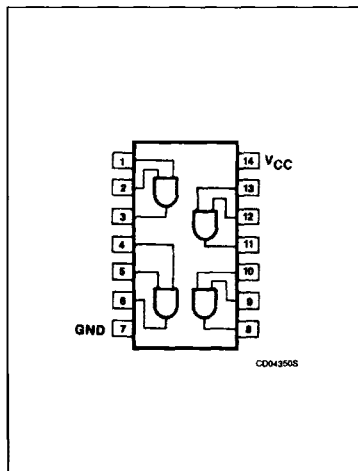
INPUT AND OUTPUT LOADING AND FAN-OUT TABLE

PINS	DESCRIPTION	74	74S	74LS
A, B	Inputs	1ul	1Sul	1LSul
Y	Output	10ul	10Sul	10LSul

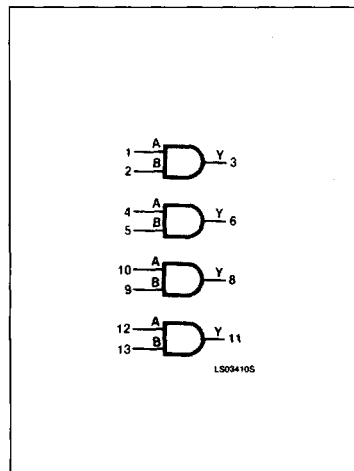
NOTE:

Where a 74 unit load (ul) is understood to be $40\mu A$ I_{IH} and $-1.6mA$ I_{IL} , a 74S unit load (Sul) is $50\mu A$ I_{IH} and $-2.0mA$ I_{IL} , and 74LS unit load (LSul) is $20\mu A$ I_{IH} and $-0.4mA$ I_{IL} .

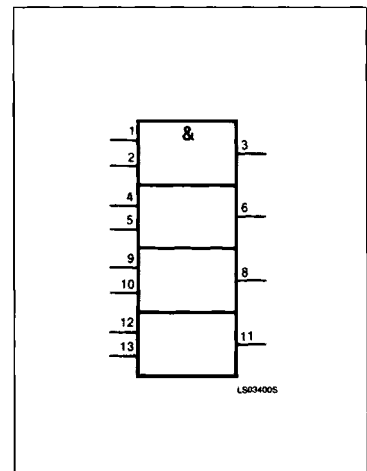
PIN CONFIGURATION



LOGIC SYMBOL



LOGIC SYMBOL (IEEE/IEC)



Gates

7408, LS08, S08

ABSOLUTE MAXIMUM RATINGS (Over operating free-air temperature range unless otherwise noted.)

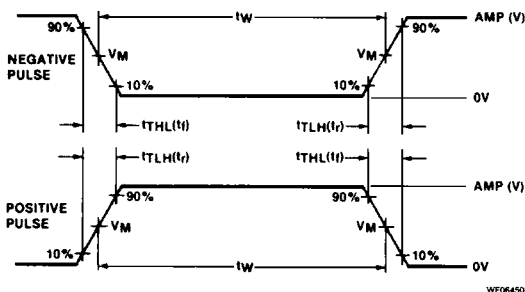
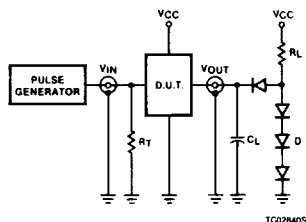
PARAMETER	74	74LS	74S	UNIT
V _{CC} Supply voltage	7.0	7.0	7.0	V
V _{IN} Input voltage	-0.5 to +5.5	-0.5 to +7.0	-0.5 to +5.5	V
I _{IN} Input current	-30 to +5	-30 to +1	-30 to +5	mA
V _{OUT} Voltage applied to output in HIGH output state	-0.5 to +V _{CC}	-0.5 to +V _{CC}	-0.5 to +V _{CC}	V
T _A Operating free-air temperature range	0 to 70			°C

RECOMMENDED OPERATING CONDITIONS

PARAMETER	74			74LS			74S			UNIT
	Min	Nom	Max	Min	Nom	Max	Min	Nom	Max	
V _{CC} Supply voltage	4.75	5.0	5.25	4.75	5.0	5.25	4.75	5.0	5.25	V
V _{IH} HIGH-level input voltage	2.0			2.0			2.0			V
V _{IL} LOW-level input voltage			+0.8			+0.8			+0.8	V
I _{IK} Input clamp current			-12			-18			-18	mA
I _{OH} HIGH-level output current			-800			-400			-1000	μA
I _{OL} LOW-level output current			16			8			20	mA
T _A Operating free-air temperature	0		70	0		70	0		70	°C

5

TEST CIRCUITS AND WAVEFORMS



V_M = 1.3V for 74LS; V_M = 1.5V for all other TTL families.

Test Circuit For 74 Totem-Pole Outputs

DEFINITIONS

R_L = Load resistor to V_{CC}; see AC CHARACTERISTICS for value.

C_L = Load capacitance includes jig and probe capacitance; see AC CHARACTERISTICS for value.

R_T = Termination resistance should be equal to Z_{OUT} of Pulse Generators.

D = Diodes are 1N916, 1N3064, or equivalent.

t_{TLH}, t_{THL} Values should be less than or equal to the table entries.

Input Pulse Definition

FAMILY	INPUT PULSE REQUIREMENTS				
	Amplitude	Rep. Rate	Pulse Width	t _{TLH}	t _{THL}
74	3.0V	1MHz	500ns	7ns	7ns
74LS	3.0V	1MHz	500ns	15ns	6ns
74S	3.0V	1MHz	500ns	2.5ns	2.5ns

Gates

7408, LS08, S08

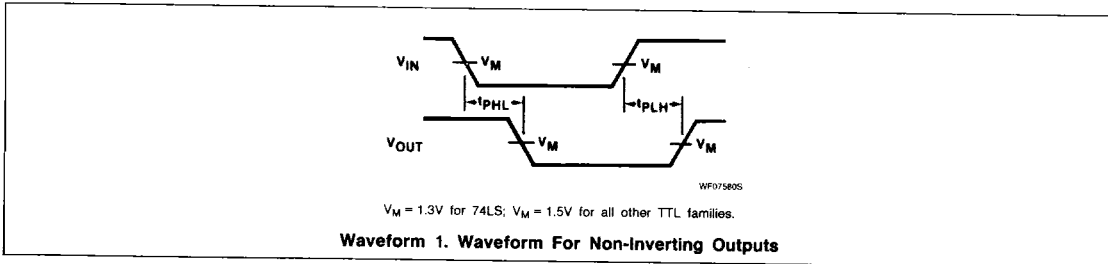
DC ELECTRICAL CHARACTERISTICS (Over recommended operating free-air temperature range unless otherwise noted.)

PARAMETER	TEST CONDITIONS ¹	7408			74LS08			74S08			UNIT	
		Min	Typ ²	Max	Min	Typ ²	Max	Min	Typ ²	Max		
V _{OH}	HIGH-level output voltage V _{CC} = MIN, V _{IH} = MIN, I _{OH} = MAX	2.4	3.4		2.7	3.4		2.7	3.4		V	
V _{OL}	LOW-level output voltage V _{CC} = MIN, V _{IL} = MAX	I _{OL} = MAX		0.2	0.4		0.35	0.5		0.5	V	
		I _{OL} = 4mA (74LS)					0.25	0.4			V	
V _{IK}	Input clamp voltage V _{CC} = MIN, I _I = I _{IK}			-1.5				-1.5		-1.2	V	
I _I	Input current at maximum input voltage V _{CC} = MAX	V _I = 5.5V			1.0					1.0	mA	
		V _I = 7.0V						0.1			mA	
I _{IH}	HIGH-level input current V _{CC} = MAX	V _I = 2.4V			40						μA	
		V _I = 2.7V						20		50	μA	
I _{IL}	LOW-level input current V _{CC} = MAX	V _I = 0.4V			-1.6			-0.4			mA	
		V _I = 0.5V								-2.0	mA	
I _{OS}	Short-circuit output current ³ V _{CC} = MAX	-18		-55	-20		-100	-40		-100	mA	
I _{CC}	Supply current (total) V _{CC} = MAX	I _{CCH} Outputs HIGH		11	21		2.4	4.8		18	32	mA
		I _{CCL} Outputs LOW		20	33		4.4	8.8		32	57	mA

NOTES:

- For conditions shown as MIN or MAX, use the appropriate value specified under recommended operating conditions for the applicable type.
- All typical values are at V_{CC} = 5V, T_A = 25°C.
- I_{OS} is tested with V_{OUT} = +0.5V and V_{CC} = V_{CC} MAX + 0.5V. Not more than one output should be shorted at a time and duration of the short circuit should not exceed one second.

AC WAVEFORM



AC ELECTRICAL CHARACTERISTICS T_A = 25°C, V_{CC} = 5.0V

PARAMETER	TEST CONDITIONS	74		74LS		74S		UNIT
		C _L = 15pF, R _L = 400Ω		C _L = 15pF, R _L = 2kΩ		C _L = 15pF, R _L = 280Ω		
		Min	Max	Min	Max	Min	Max	
t _{PLH}	Propagation delay Waveform 1		27		15		7.0	ns
t _{PHL}			19		20		7.5	