

DATA SHEET

PCA159x series 32 kHz watch circuits with frequency adjustment

Product specification
Supersedes data of September 1993
File under Integrated Circuits, IC16

1997 Apr 21

32 kHz watch circuits with frequency adjustment

PCA159x series

FEATURES

- 32 kHz oscillator frequency
- Low current consumption; typically 1.5 μA , maximum 5 μA
- Low minimum supply voltage: 1.1 V
- Alarm input
- Motor test
- Test mode speed-up for fast testing
- Quartz frequency electrically programmable and reprogrammable (via EEPROM)
- Protected against electrostatic charges.

GENERAL DESCRIPTION

The PCA159x series devices are silicon-gate CMOS integrated circuits specially suited for battery-operated, quartz-crystal-controlled clocks, with a bipolar stepping motor.

ORDERING INFORMATION

TYPE NUMBER	PACKAGE		
	NAME	DESCRIPTION ⁽¹⁾	VERSION
PCA1593U/10	–	chip on film frame carrier (FFC)	–
PCA1594U/10	–	chip on film frame carrier (FFC)	–
PCA1595U/10	–	chip on film frame carrier (FFC)	–
PCA1596U/10	–	chip on film frame carrier (FFC)	–
PCA1597U/10	–	chip on film frame carrier (FFC)	–

Note

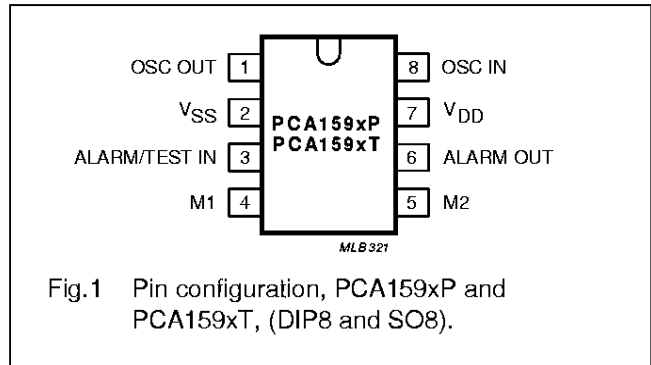
1. Figure 1 and Chapter "Package outlines" show details of standard packages, available for large orders only. Chapter "Chip dimensions and bonding pad locations" shows exact pad locations for other delivery formats.

32 kHz watch circuits with frequency adjustment

PCA159x series

PINNING

SYMBOL	PIN	DESCRIPTION
OSC OUT	1	oscillator output
V _{SS}	2	ground (0 V)
ALARM/TEST IN	3	alarm and test input
M1	4	motor 1 output
M2	5	motor 2 output
ALARM OUT	6	alarm output
V _{DD}	7	supply voltage
OSC IN	8	oscillator input



FUNCTIONAL DESCRIPTION AND TESTING

Operating mode

The alarm input (pin 3) is left open-circuit. Motor pulses as shown in Fig.2 are provided at M1 and M2. An output frequency of 256 Hz is provided at pin 3 for test purposes.

Alarm mode

The alarm input is connected to V_{SS}. The alarm signal in accordance with Fig.3 is provided at pin 6.

Test mode (see Fig.4)

The circuit must be in normal operating mode for at least 10 ms before entering test mode.

The test mode consists of two parts: motor test and IC test.

MOTOR TEST

The alarm input is connected to V_{DD}. In this test mode the motor output period is 125 ms (all types) and the motor pulse width is identical to that of the normal mode. The alarm output periods are also increased by a factor of 128. The alarm modulation is also suppressed.

IC TEST (IC SUPPLIER ONLY)

The customer uses this mode during frequency programming. On the negative edge of the first positive pulse (see Fig.7) the IC test is enabled. The motor output is increased by a factor of 1024. The duty factor in this mode is 1 : 1. The alarm mode is disabled.

On the positive edge of the second pulse (corresponding to the first program pulse) the motor test mode is re-selected.

To disable the test mode, pin 3 must be left open-circuit or connected to V_{SS}.

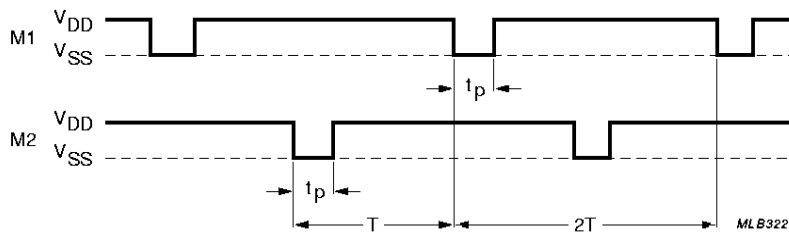


Fig.2 Motor output waveforms.

32 kHz watch circuits with frequency adjustment

PCA159x series

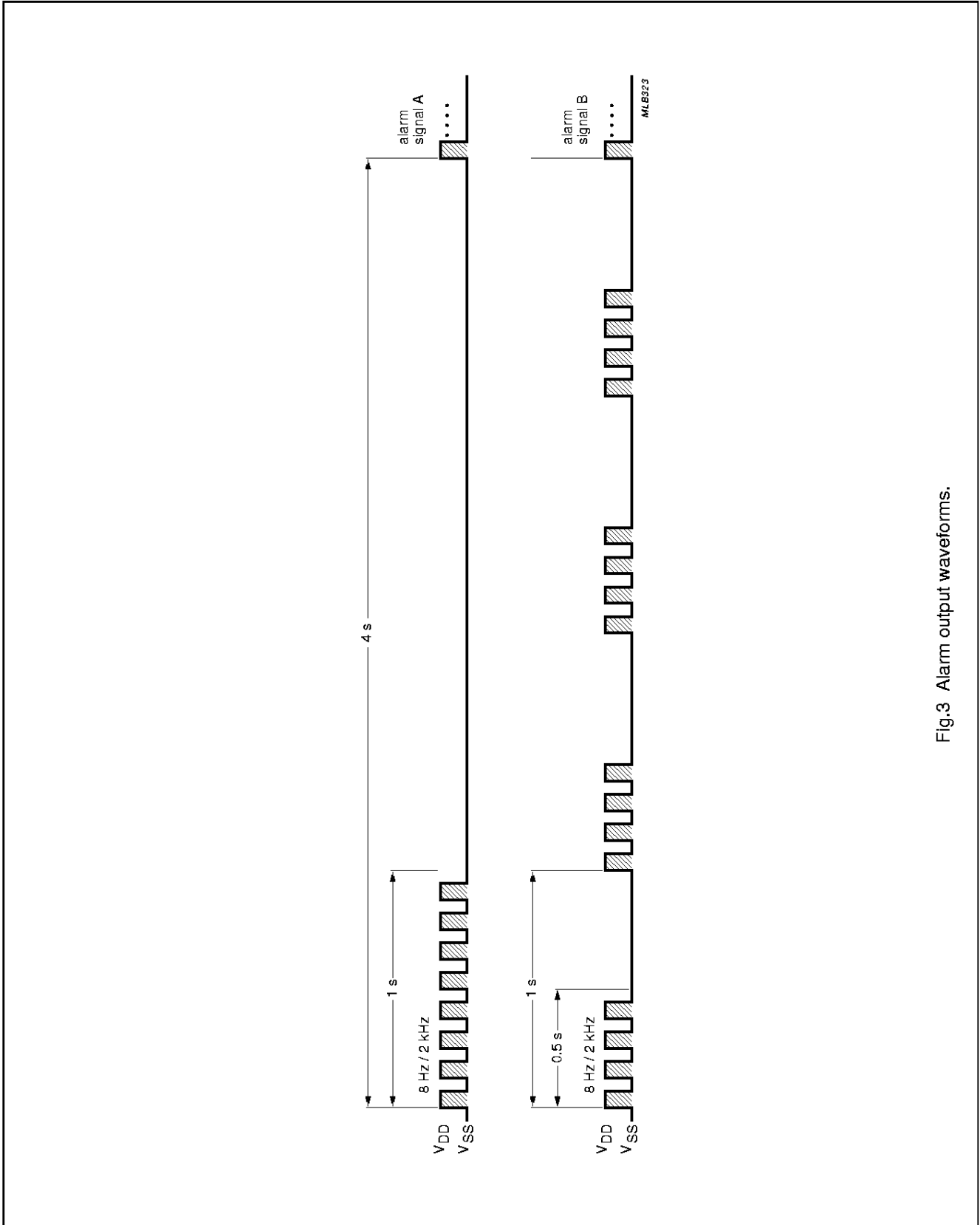


Fig.3 Alarm output waveforms.

32 kHz watch circuits with frequency adjustment

PCA159x series

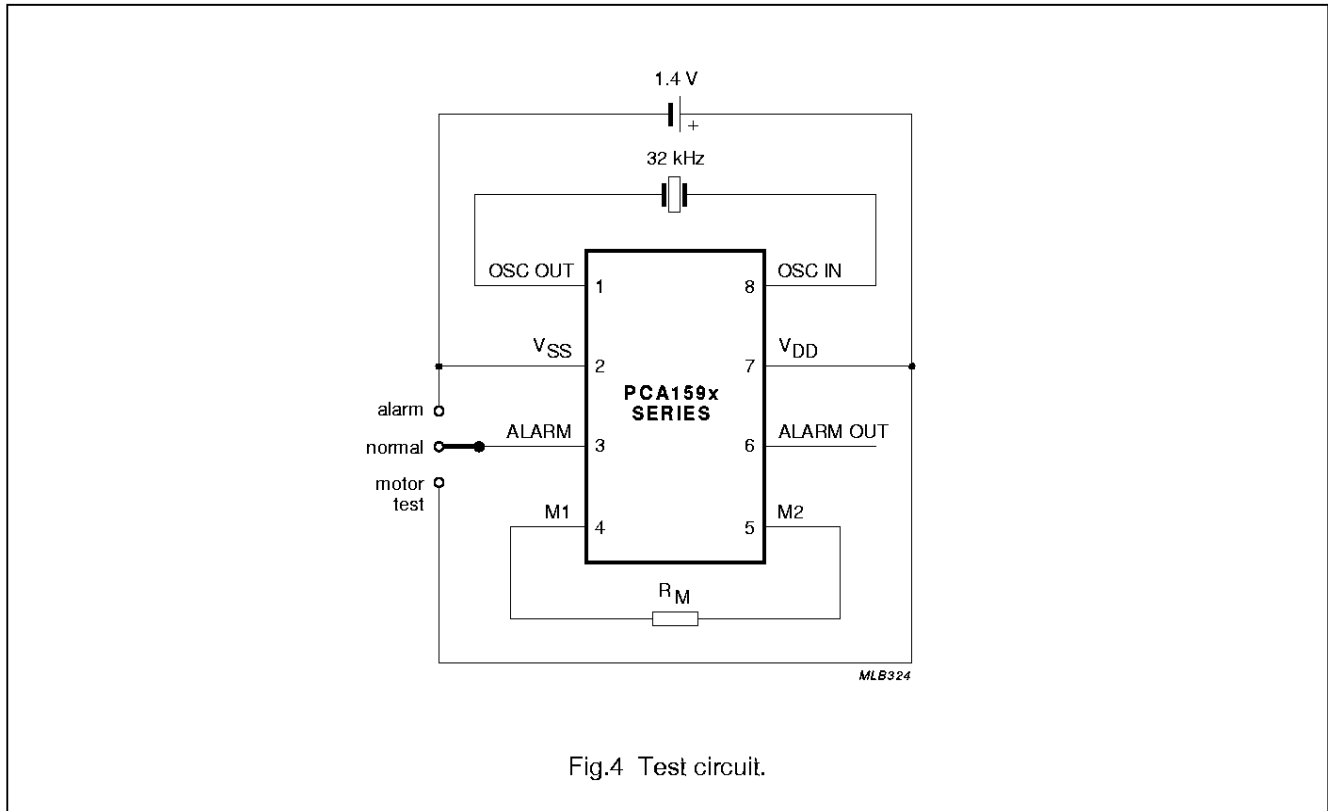


Fig.4 Test circuit.

Frequency trimming

Frequency trimming is carried out by electrically programming the oscillator input capacitance to one of 64 values contained within the non-volatile memory. This is accomplished by carrying out the following five steps; Figs 5, 6 and 7 illustrate this procedure.

1. Erasing

With $V_{SS} = -1.4\text{ V}$, the generator (pin 3) is taken from -1.4 V to 0 V . The device is now in test mode. Erasure is carried out by increasing V_{SS} to -5.5 V and setting the generator (pin 3) to $+1.4\text{ V}$.

2. Checking erasing/zero

With $V_{SS} = -1.4\text{ V}$, the generator (pin 3) is taken from -1.4 V to 0 V . The device is in test mode and minimum capacitance is obtained.

3. Measure/data input

On the first 1.4 V pulse (pin 3) the test mode is changed from motor test to IC test. This pulse releases the program register thus allowing the frequency to be programmed. The positive edge of the second pulse switches the IC test mode back to the motor test mode.

The negative edge of the second pulse increases the capacitance by one unit, this occurs on all the subsequent pulses. The frequency can be measured between these increases. This procedure is repeated until the required frequency is obtained. If the adjustment to the frequency is greater than required, the procedure can be restarted with step 2.

4. Writing

The capacitance is fixed by increasing V_{SS} to -5.5 V .

5. Checking writing

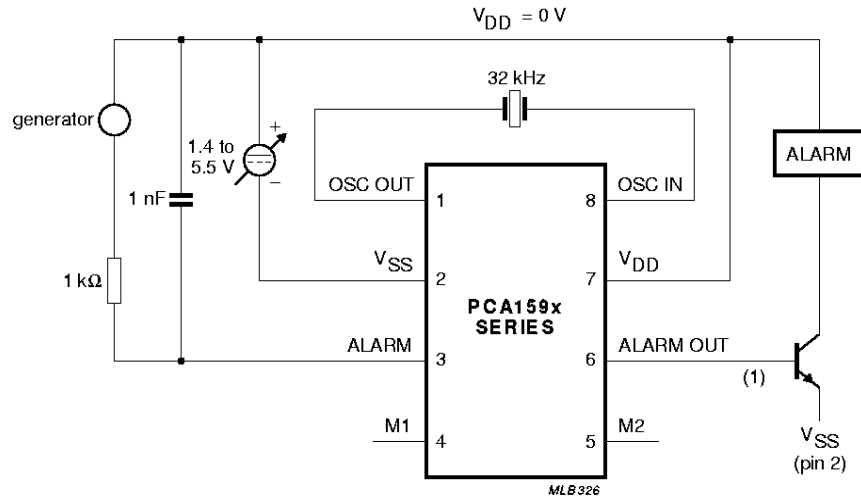
With $V_{SS} = -1.4\text{ V}$, the generator (pin 3) is taken from -1.4 V to 0 V . The device is in test mode and trimmed capacitance is obtained. The frequency can be checked.

Remark

The information concerning the capacitive value is obtained from the EEPROM cells and the program register. Therefore the program register must be reset before the frequency can be measured (see steps 1 to 5). Programming can be performed 100 times.

32 kHz watch circuits with frequency adjustment

PCA159x series



(1) During programming ALARM OUT is active LOW, so that programming is possible when the alarm transistor is connected to pin 6.

Fig.5 Frequency trimming circuit.

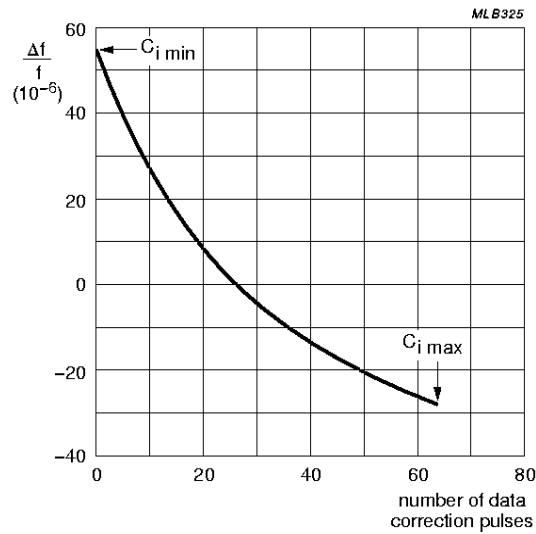


Fig.6 Typical frequency characteristic; $C_1 = 2.8$ fF, $C_0 = 3$ pF, $C_L = 10$ pF, $f = 32.768$ kHz.

32 kHz watch circuits with frequency adjustment

PCA159x series

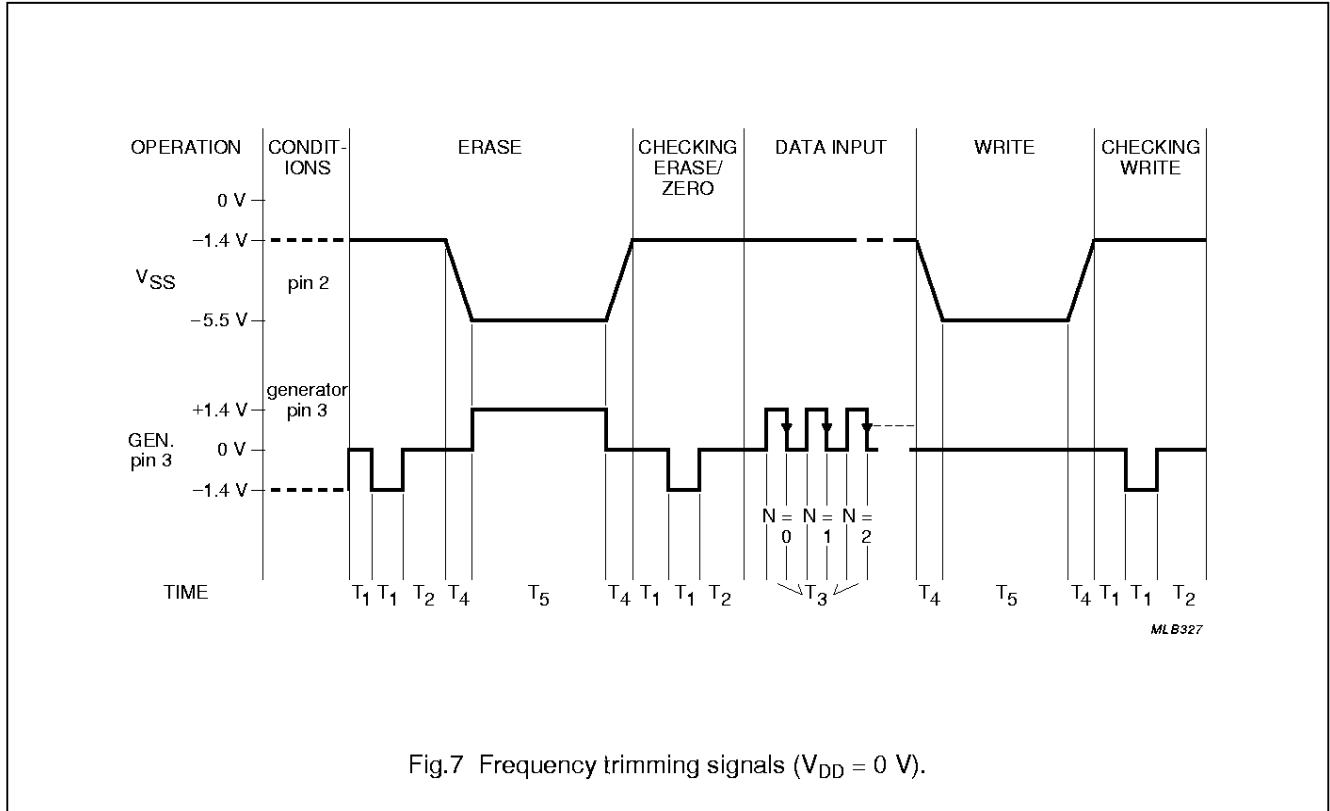


Table 1 Frequency trimming timing requirements

TIME	SYMBOL	MIN.	MAX.	UNIT
Reset time 1	T_1	1	–	ms
Reset time 2	T_2	5	–	ms
Data pulse width/gap	T_3	100	–	μs
Supply rise/fall time	T_4	1	–	ms
WRITE/ERASE time	T_5	10	–	ms

32 kHz watch circuits with frequency adjustment

PCA159x series

AVAILABLE TYPES

SHORT TYPE NUMBER	DELIVERY FORMAT ⁽¹⁾	MOTOR OUTPUT				ALARM SIGNAL (see Fig.3)
		PERIOD t_T (s)	PULSE t_P (ms)	MINIMUM CURRENT I_M (mA)	EEPROM	
1593	U/10	1	31.25	4.3	yes	B
1594	U/10	1	46.8	4.3	yes	A
1595	U/10	1	46.8	4.3	yes	B
1596	U/10	1	15.6	4.3	yes	A
1597	U/10	4	15.6	4.3	yes	B

Note

1. U/10 = Chip on film frame carrier (FFC).

LIMITING VALUES

In accordance with the Absolute Maximum Rating System (IEC 134).

SYMBOL	PARAMETER	CONDITIONS	MIN.	MAX.	UNIT
V_{SS}	supply voltage	$V_{DD} = 0$ V; note 1	+1.8	-6	V
V_I	all input voltages except pin 3		V_{SS}	V_{DD}	V
V_{3-2}	input voltage at pin 3		V_{SS}	$V_{DD} + 1$	V
	output short-circuit duration at pins 4, 5 and 6		indefinite		
T_{amb}	operating ambient temperature		-10	+60	°C
T_{stg}	storage temperature		-30	+125	°C

Note

1. Connecting the battery at 1.8 V maximum with reversed polarity does not destroy the circuit, but in this condition a large current flows, which will rapidly discharge the battery.

HANDLING

Inputs and outputs are protected against electrostatic discharges in normal handling. However, to be totally safe, it is advisable to take handling precautions appropriate to handling MOS devices. Advice can be found in

"Data Handbook IC16, General, Handling MOS Devices".

32 kHz watch circuits with frequency adjustment

PCA159x series

CHARACTERISTICS

$V_{DD} = 0\text{ V}$; $V_{SS} = -1.4\text{ V}$; $f_{osc} = 32.768\text{ kHz}$; $T_{amb} = 25\text{ °C}$; crystal: $R_S = 20\text{ k}\Omega$; $C_1 = 2\text{ to }3\text{ fF}$; $C_L = 10\text{ pF}$; $C_0 = 3\text{ pF}$; unless otherwise specified.

SYMBOL	PARAMETER	CONDITIONS	MIN.	TYP.	MAX.	UNIT
Supply						
V_{SS1}	supply voltage	operating	-1.1	-	-1.8	V
V_{SS2}	supply voltage	starting	-1.2	-	-	V
V_{SS3}	supply voltage	programming	-5.4	-5.5	-5.6	V
I_{DD}	supply current	$R_L = \infty$	-	1.5	5.0	μA
Motor output (pins 4 and 5)						
t_T	period	note 1	1.0	-	60.0	s
t_P	pulse width	note 1	3.9	-	62.5	ms
I_M	current into load	$R_M = 200\ \Omega$; $V_{SS} = -1.2\text{ V}$	4.3	-	-	mA
R_o	output impedance	$R_M = 200\ \Omega$	-	50	-	Ω
Alarm output (pin 6)						
	output waveforms		see Fig.3			
I_{sink}	sink current	$R = 10\ \Omega$; $V_{SS} = -5.5\text{ V}$	-	200	-	μA
I_{source}	source current	$R = 1\ \Omega$; $V_{SS} = -1.2\text{ V}$	0.3	1.0	-	mA
Alarm test input (pin 3)						
t_d	input delay time		-	-	70	ms
I_i	input current	note 2 $V_{SS} = -5.5\text{ V}$	-	2	-	μA
			-	50	-	μA
Oscillator (pins 1 and 8)						
R_p	polarization resistance		3	10	30	$\text{M}\Omega$
C_o	output capacitance (pin 1)		-	24	-	pF
C_i	input capacitance data pulses (pin 8)	$n = 0$; note 3	-	9	-	pF
ΔC_i	input capacitance steps		-	0.25	-	pF
$\Delta f/f$	frequency stability	$\Delta V_{SS} = 100\text{ mV}$; $n = 20$	-	0.6×10^{-6}	-	
t_{ret}	data retention time	$T_{amb} = -10\text{ to }+60\text{ °C}$	-	10	-	years

Notes

1. See Chapter "Available types" for the typical values.
2. These are average values for the 256 Hz output with 1 : 1 duty factor.
3. Number of data correction pulses (n).

32 kHz watch circuits with frequency adjustment

PCA159x series

CHIP DIMENSIONS AND BONDING PAD LOCATIONS

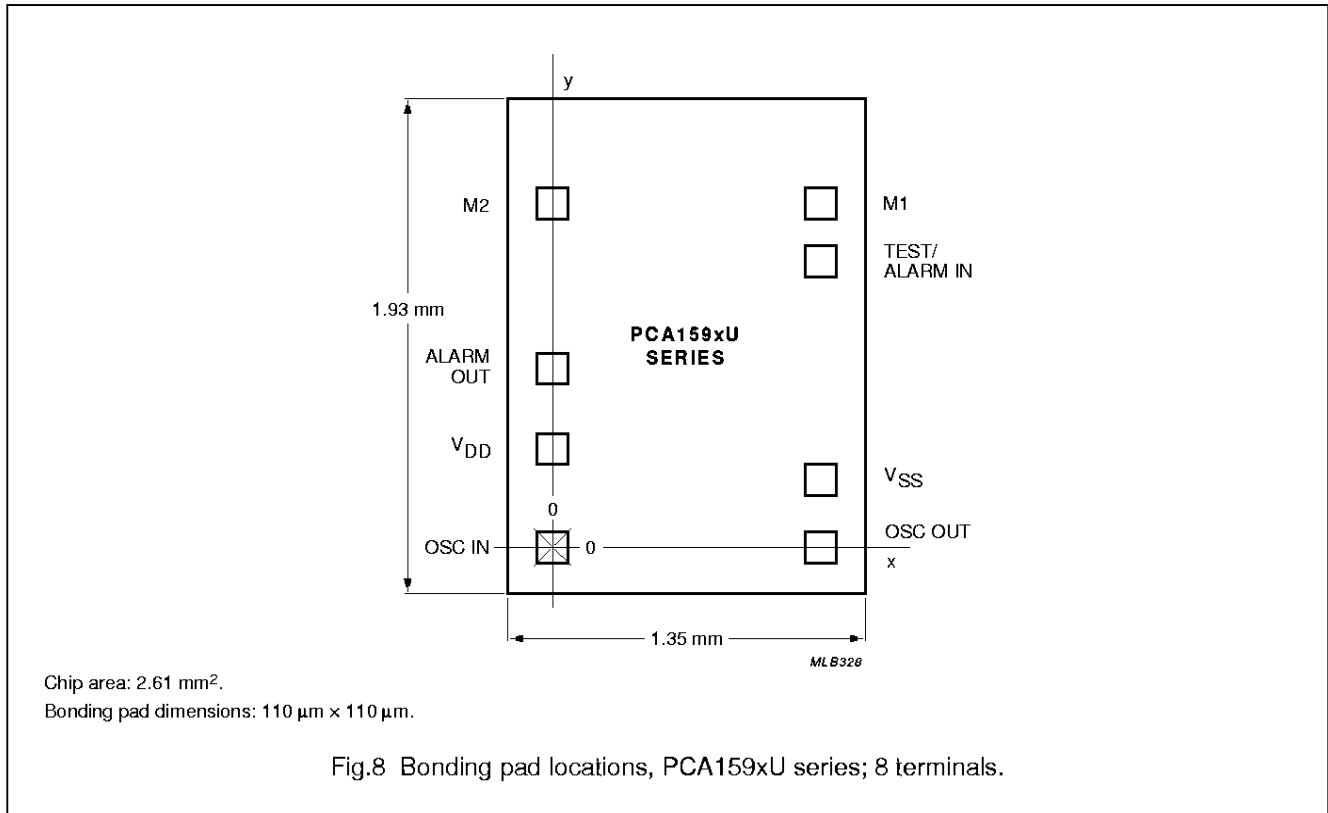


Table 2 Bonding pad locations (dimensions in μm)

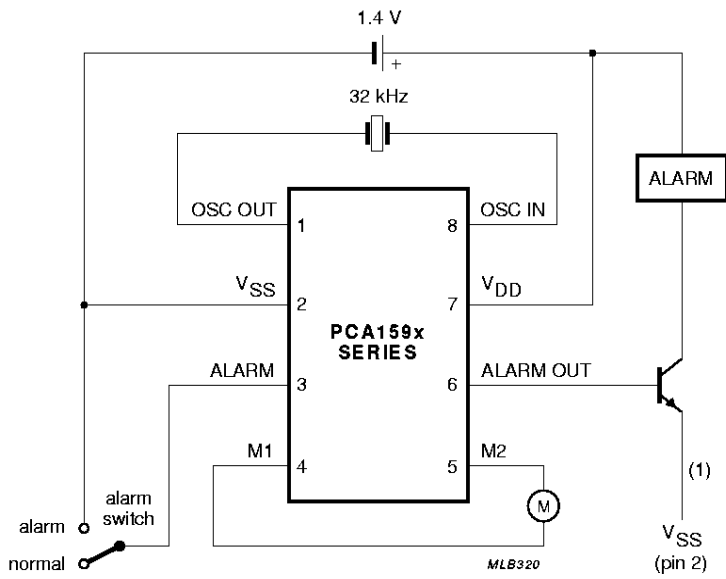
All x/y coordinates are referenced to bottom left pad (OSC IN), see Fig.8.

PAD	x	y
OSC OUT	1006	0
V _{SS}	1006	220
TEST/ALARM IN	1006	1111
M1	1006	1296
M2	0	1296
ALARM OUT	0	651
V _{DD}	0	376
OSC IN	0	0
chip corner (max. value)	-202	-225

32 kHz watch circuits with frequency adjustment

PCA159x series

APPLICATION INFORMATION



(1) The emitter of the transistor must be connected to V_{SS} , except when used as a replacement for the PCA158X series where it must be connected to pin 3; in this event the base of the alarm transistor must be connected via a 1 k Ω series resistor.

Fig.9 Typical application circuit diagram.

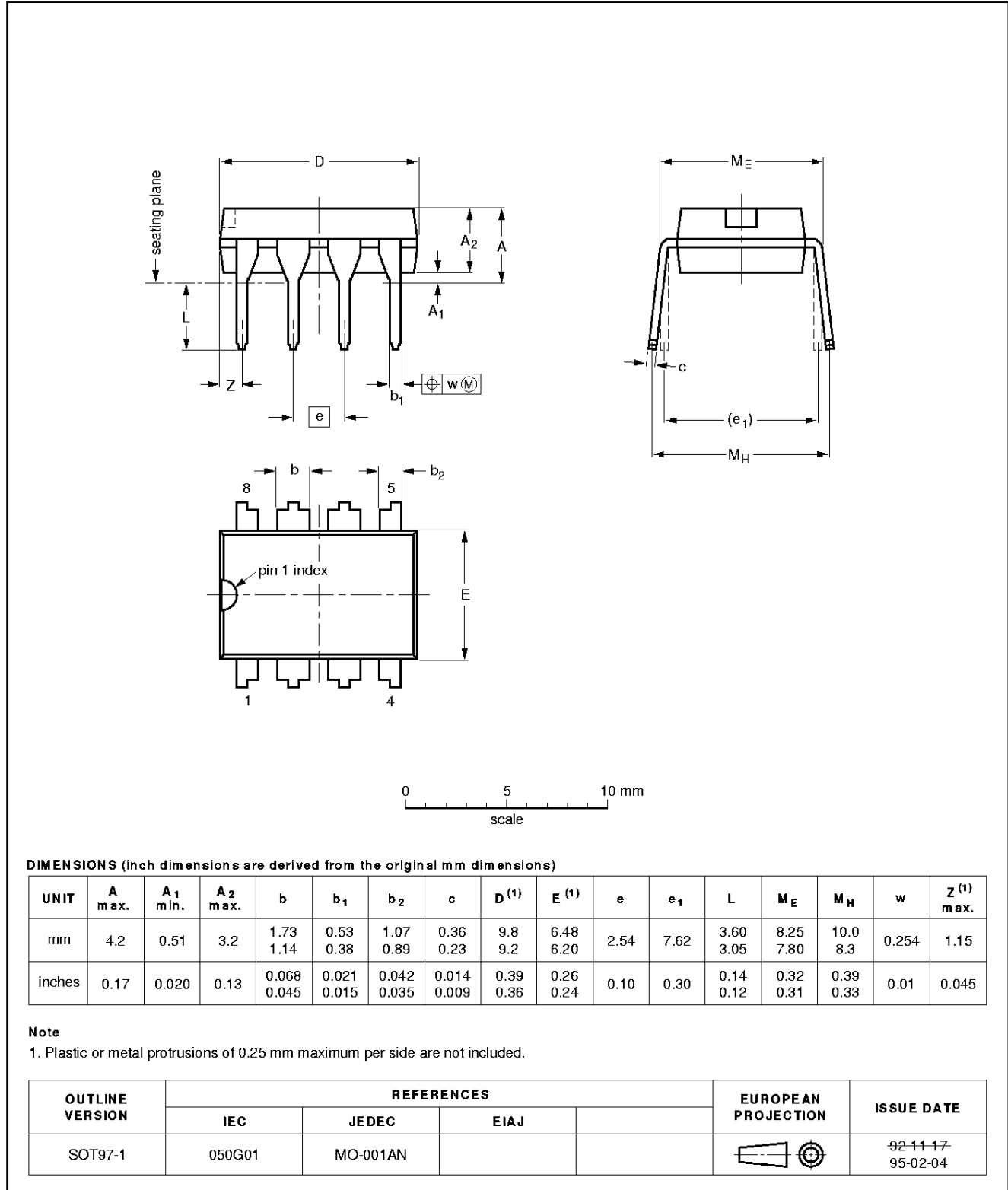
32 kHz watch circuits with frequency adjustment

PCA159x series

PACKAGE OUTLINES

DIP8: plastic dual in-line package; 8 leads (300 mil)

SOT97-1

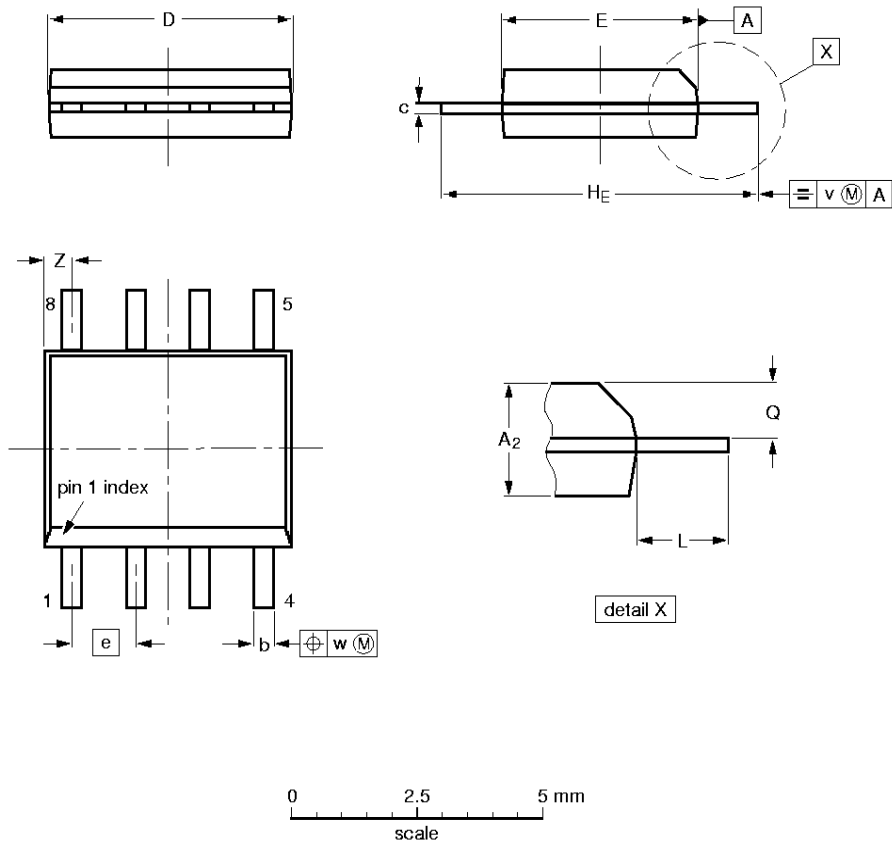


32 kHz watch circuits with frequency adjustment

PCA159x series

SO8: plastic small outline package; 8 leads (straight); body width 3.9 mm

SOT96-2



DIMENSIONS (inch dimensions are derived from the original mm dimensions)

UNIT	A_2	b	c	$D^{(1)}$	$E^{(2)}$	e	H_E	L	Q	v	w	$Z^{(1)}$
mm	1.45 1.25	0.49 0.36	0.25 0.19	5.0 4.8	4.0 3.8	1.27	6.4 6.2	1.2	0.7 0.6	0.25	0.25	0.7 0.3
inches	0.057 0.049	0.019 0.014	0.0098 0.0075	0.20 0.19	0.16 0.15	0.050	0.025 0.024	0.047	0.028 0.024	0.01	0.01	0.028 0.012

Notes

1. Plastic or metal protrusions of 0.15 mm maximum per side are not included.
2. Plastic or metal protrusions of 0.25 mm maximum per side are not included.

OUTLINE VERSION	REFERENCES			EUROPEAN PROJECTION	ISSUE DATE
	IEC	JEDEC	EIAJ		
SOT96-2					92-11-17 95-02-04

32 kHz watch circuits with frequency adjustment

PCA159x series

SOLDERING

Introduction

There is no soldering method that is ideal for all IC packages. Wave soldering is often preferred when through-hole and surface mounted components are mixed on one printed-circuit board. However, wave soldering is not always suitable for surface mounted ICs, or for printed-circuits with high population densities. In these situations reflow soldering is often used.

This text gives a very brief insight to a complex technology. A more in-depth account of soldering ICs can be found in our "*IC Package Databook*" (order code 9398 652 90011).

DIP

SOLDERING BY DIPPING OR BY WAVE

The maximum permissible temperature of the solder is 260 °C; solder at this temperature must not be in contact with the joint for more than 5 seconds. The total contact time of successive solder waves must not exceed 5 seconds.

The device may be mounted up to the seating plane, but the temperature of the plastic body must not exceed the specified maximum storage temperature ($T_{stg\ max}$). If the printed-circuit board has been pre-heated, forced cooling may be necessary immediately after soldering to keep the temperature within the permissible limit.

REPAIRING SOLDERED JOINTS

Apply a low voltage soldering iron (less than 24 V) to the lead(s) of the package, below the seating plane or not more than 2 mm above it. If the temperature of the soldering iron bit is less than 300 °C it may remain in contact for up to 10 seconds. If the bit temperature is between 300 and 400 °C, contact may be up to 5 seconds.

SO

REFLOW SOLDERING

Reflow soldering techniques are suitable for all SO packages.

Reflow soldering requires solder paste (a suspension of fine solder particles, flux and binding agent) to be applied

to the printed-circuit board by screen printing, stencilling or pressure-syringe dispensing before package placement.

Several techniques exist for reflowing; for example, thermal conduction by heated belt. Dwell times vary between 50 and 300 seconds depending on heating method. Typical reflow temperatures range from 215 to 250 °C.

Preheating is necessary to dry the paste and evaporate the binding agent. Preheating duration: 45 minutes at 45 °C.

WAVE SOLDERING

Wave soldering techniques can be used for all SO packages if the following conditions are observed:

- A double-wave (a turbulent wave with high upward pressure followed by a smooth laminar wave) soldering technique should be used.
- The longitudinal axis of the package footprint must be parallel to the solder flow.
- The package footprint must incorporate solder thieves at the downstream end.

During placement and before soldering, the package must be fixed with a droplet of adhesive. The adhesive can be applied by screen printing, pin transfer or syringe dispensing. The package can be soldered after the adhesive is cured.

Maximum permissible solder temperature is 260 °C, and maximum duration of package immersion in solder is 10 seconds, if cooled to less than 150 °C within 6 seconds. Typical dwell time is 4 seconds at 250 °C.

A mildly-activated flux will eliminate the need for removal of corrosive residues in most applications.

REPAIRING SOLDERED JOINTS

Fix the component by first soldering two diagonally-opposite end leads. Use only a low voltage soldering iron (less than 24 V) applied to the flat part of the lead. Contact time must be limited to 10 seconds at up to 300 °C. When using a dedicated tool, all other leads can be soldered in one operation within 2 to 5 seconds between 270 and 320 °C.

32 kHz watch circuits with frequency adjustment

PCA159x series

DEFINITIONS

Data sheet status	
Objective specification	This data sheet contains target or goal specifications for product development.
Preliminary specification	This data sheet contains preliminary data; supplementary data may be published later.
Product specification	This data sheet contains final product specifications.
Limiting values	
Limiting values given are in accordance with the Absolute Maximum Rating System (IEC 134). Stress above one or more of the limiting values may cause permanent damage to the device. These are stress ratings only and operation of the device at these or at any other conditions above those given in the Characteristics sections of the specification is not implied. Exposure to limiting values for extended periods may affect device reliability.	
Application information	
Where application information is given, it is advisory and does not form part of the specification.	

LIFE SUPPORT APPLICATIONS

These products are not designed for use in life support appliances, devices, or systems where malfunction of these products can reasonably be expected to result in personal injury. Philips customers using or selling these products for use in such applications do so at their own risk and agree to fully indemnify Philips for any damages resulting from such improper use or sale.

Philips Semiconductors – a worldwide company

Argentina: see South America

Australia: 34 Waterloo Road, NORTH RYDE, NSW 2113,
Tel. +61 2 9805 4455, Fax. +61 2 9805 4466

Austria: Computerstr. 6, A-1101 WIEN, P.O. Box 213,
Tel. +43 1 60 101, Fax. +43 1 60 101 1210

Belarus: Hotel Minsk Business Center, Bld. 3, r. 1211, Volodarski Str. 6,
220050 MINSK, Tel. +375 172 200 733, Fax. +375 172 200 773

Belgium: see The Netherlands

Brazil: see South America

Bulgaria: Philips Bulgaria Ltd., Energoproject, 15th floor,
51 James Bourchier Blvd., 1407 SOFIA,
Tel. +359 2 689 211, Fax. +359 2 689 102

Canada: PHILIPS SEMICONDUCTORS/COMPONENTS,
Tel. +1 800 234 7381

China/Hong Kong: 501 Hong Kong Industrial Technology Centre,
72 Tat Chee Avenue, Kowloon Tong, HONG KONG,
Tel. +852 2319 7888, Fax. +852 2319 7700

Colombia: see South America

Czech Republic: see Austria

Denmark: Prags Boulevard 80, PB 1919, DK-2300 COPENHAGEN S,
Tel. +45 32 88 2636, Fax. +45 31 57 0044

Finland: Sinikalliontie 3, FIN-02630 ESPOO,
Tel. +358 9 615800, Fax. +358 9 61580920

France: 4 Rue du Port-aux-Vins, BP317, 92156 SURESNES Cedex,
Tel. +33 1 40 99 6161, Fax. +33 1 40 99 6427

Germany: Hammerbrookstraße 69, D-20097 HAMBURG,
Tel. +49 40 23 53 60, Fax. +49 40 23 536 300

Greece: No. 15, 25th March Street, GR 17778 TAVROS/ATHENS,
Tel. +30 1 4894 339/239, Fax. +30 1 4814 240

Hungary: see Austria

India: Philips INDIA Ltd, Shivsagar Estate, A Block, Dr. Annie Besant Rd.
Worli, MUMBAI 400 018, Tel. +91 22 4938 541, Fax. +91 22 4938 722

Indonesia: see Singapore

Ireland: Newstead, Clonskeagh, DUBLIN 14,
Tel. +353 1 7640 000, Fax. +353 1 7640 200

Israel: RAPAC Electronics, 7 Kehilat Saloniki St, PO Box 18053,
TEL AVIV 61180, Tel. +972 3 645 0444, Fax. +972 3 649 1007

Italy: PHILIPS SEMICONDUCTORS, Piazza IV Novembre 3,
20124 MILANO, Tel. +39 2 6752 2531, Fax. +39 2 6752 2557

Japan: Philips Bldg 13-37, Kohnan 2-chome, Minato-ku, TOKYO 108,
Tel. +81 3 3740 5130, Fax. +81 3 3740 5077

Korea: Philips House, 260-199 Itaewon-dong, Yongsan-ku, SEOUL,
Tel. +82 2 709 1412, Fax. +82 2 709 1415

Malaysia: No. 76 Jalan Universiti, 46200 PETALING JAYA, SELANGOR,
Tel. +60 3 750 5214, Fax. +60 3 757 4880

Mexico: 5900 Gateway East, Suite 200, EL PASO, TEXAS 79905,
Tel. +9-5 800 234 7381

Middle East: see Italy

Netherlands: Postbus 90050, 5600 PB EINDHOVEN, Bldg. VB,
Tel. +31 40 27 82785, Fax. +31 40 27 88399

New Zealand: 2 Wagener Place, C.P.O. Box 1041, AUCKLAND,
Tel. +64 9 849 4160, Fax. +64 9 849 7811

Norway: Box 1, Manglerud 0612, OSLO,
Tel. +47 22 74 8000, Fax. +47 22 74 8341

Philippines: Philips Semiconductors Philippines Inc.,
106 Valero St. Salcedo Village, P.O. Box 2108 MCC, MAKATI,
Metro MANILA, Tel. +63 2 816 6380, Fax. +63 2 817 3474

Poland: Ul. Lukiska 10, PL 04-123 WARSZAWA,
Tel. +48 22 612 2831, Fax. +48 22 612 2327

Portugal: see Spain

Romania: see Italy

Russia: Philips Russia, Ul. Usatcheva 35A, 119048 MOSCOW,
Tel. +7 095 755 6918, Fax. +7 095 755 6919

Singapore: Lorong 1, Toa Payoh, SINGAPORE 1231,
Tel. +65 350 2538, Fax. +65 251 6500

Slovakia: see Austria

Slovenia: see Italy

South Africa: S.A. PHILIPS Pty Ltd., 195-215 Main Road Martindale,
2092 JOHANNESBURG, P.O. Box 7430 Johannesburg 2000,
Tel. +27 11 470 5911, Fax. +27 11 470 5494

South America: Rua do Rocio 220, 5th floor, Suite 51,
04552-903 São Paulo, SÃO PAULO - SP, Brazil,
Tel. +55 11 821 2333, Fax. +55 11 829 1849

Spain: Balmes 22, 08007 BARCELONA,
Tel. +34 3 301 6312, Fax. +34 3 301 4107

Sweden: Kottbygatan 7, Akalla, S-16485 STOCKHOLM,
Tel. +46 8 632 2000, Fax. +46 8 632 2745

Switzerland: Allmendstrasse 140, CH-8027 ZÜRICH,
Tel. +41 1 488 2686, Fax. +41 1 481 7730

Taiwan: Philips Semiconductors, 6F, No. 96, Chien Kuo N. Rd., Sec. 1,
TAIPEI, Taiwan Tel. +886 2 2134 2865, Fax. +886 2 2134 2874

Thailand: PHILIPS ELECTRONICS (THAILAND) Ltd.,
209/2 Sanpavuth-Bangna Road Prakanong, BANGKOK 10260,
Tel. +66 2 745 4090, Fax. +66 2 398 0793

Turkey: Talatpasa Cad. No. 5, 80640 GÜLTEPE/ISTANBUL,
Tel. +90 212 279 2770, Fax. +90 212 282 6707

Ukraine: PHILIPS UKRAINE, 4 Patrice Lumumba str., Building B, Floor 7,
252042 KIEV, Tel. +380 44 264 2776, Fax. +380 44 268 0461

United Kingdom: Philips Semiconductors Ltd., 276 Bath Road, Hayes,
MIDDLESEX UB3 5BX, Tel. +44 181 730 5000, Fax. +44 181 754 8421

United States: 811 East Arques Avenue, SUNNYVALE, CA 94088-3409,
Tel. +1 800 234 7381

Uruguay: see South America

Vietnam: see Singapore

Yugoslavia: PHILIPS, Trg N. Pasica 5/v, 11000 BEOGRAD,
Tel. +381 11 625 344, Fax. +381 11 635 777

For all other countries apply to: Philips Semiconductors, Marketing & Sales Communications,
Building BE-p, P.O. Box 218, 5600 MD EINDHOVEN, The Netherlands, Fax. +31 40 27 24825

Internet: <http://www.semiconductors.philips.com>

© Philips Electronics N.V. 1997

SCA54

All rights are reserved. Reproduction in whole or in part is prohibited without the prior written consent of the copyright owner.

The information presented in this document does not form part of any quotation or contract, is believed to be accurate and reliable and may be changed without notice. No liability will be accepted by the publisher for any consequence of its use. Publication thereof does not convey nor imply any license under patent- or other industrial or intellectual property rights.

Printed in The Netherlands

41708700/02/pp16

Date of release: 1997 Apr 21

Document order number: 9397 750 01537

Let's make things better.

Philips
Semiconductors



PHILIPS