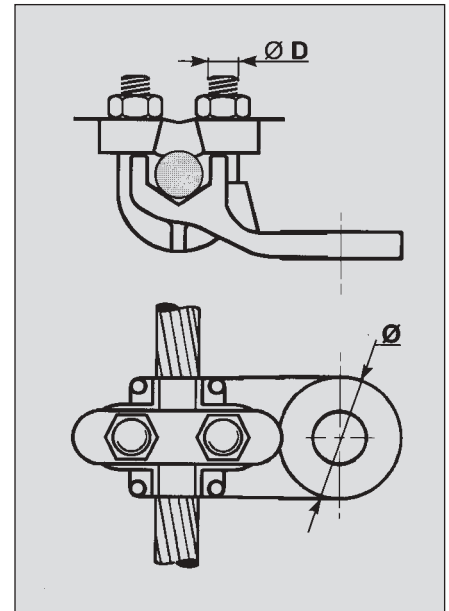


# Copper Alloy Mechanical Connectors

## CT Line

### Mechanical terminals

Copper alloy T-type terminals with round offset tongue and one U-bolts.

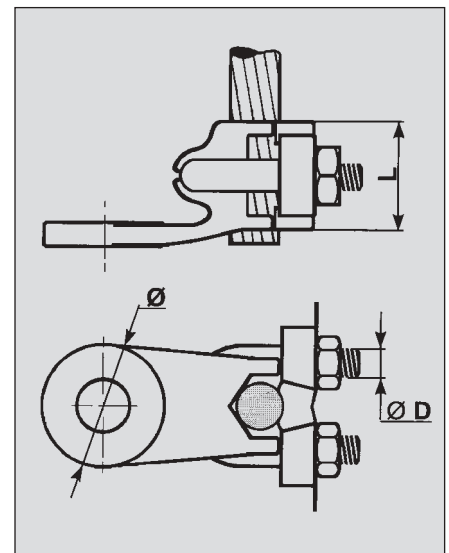


mm <sup>2</sup>		Cat. No.	Ref. EDF	Tongue Stud		L	U-bolt	packing
Min	Max			Ø	size			
6	70	CT1070AB8	6706224	24	Ø8	23	1 x 23	10
6	70	CT1070BB8	6706225	24	Ø8	23	1 x 23	10
25	120	CT25120AB12		30	Ø12	28	1 x 8	10
25	120	CT25120BB12	6706212	30	Ø12	28	1 x 8	10

## CE Line

### Mechanical terminals

Copper alloy right-angle terminals with round offset tongue and one U-bolts.



mm <sup>2</sup>		Cat. No.	Ref. EDF	Tongue Stud		L	U-bolt	packing
Min	Max			Ø	size			
6	70	CE1070BB8	6706577	24	Ø8	23	1 x 5	10
25	120	CE25120BB12	6706579	30	Ø12	28	1 x 8	10

AB-: protected steel U-Bolt  
BB-: bronze U-Bolt