

NOTES:

1. MATERIALS AND FINISHES (IN MICRO-INCHES):

- BODY = ZINC DIECAST (ZAMAK #3 PER ASTM-B86), MATTE TIN PL. 100 MIN THICK OVER NICKEL PL. 100 MIN THICK OVER COPPER PL.(250 MIN/300 MAX) THICK
- CONTACT = COPPER ALLOY, GOLD PL. 6 MIN MATING AREA. THICK OVER NICKEL PL. 50 MIN. 20~80 MATTE TIN ON SOLDER TAIL.
- INSULATOR = LCP, COLOR: BALCK.
- HOUSING = HIGH TEMPERATURE THERMOPLASTIC, COLOR & KEYING PER TABLE

2. ELECTRICAL:

- A. IMPEDANCE: 100 OHM NOMINAL
- B. FREQUENCY RANGE: DC- 2 GHz
- C. RETURN LOSS: -20 dB MIN .(DC-1 GHz)
-17 dB MIN .(DC-2 GHz)
- D. INSERTION LOSS: -0.3 dB MAX .(DC-2 GHz)
- E. SKEW(BETWEEN SIGNAL CONTACTS) 5 PSEC. MAX.
- F. CROSSTALK: -30 dB MAX.
- G. CENTER CONTACT RESISTANCE : 10 mΩ MAX.
- H. OUTER CONTACT RESISTANCE : 7.5 mΩ MAX.
- I. D.W.V.: 500 VRMS, MIN.

3. MECHANICAL:

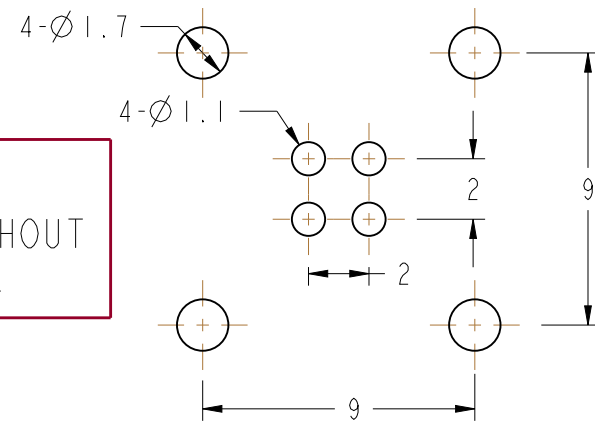
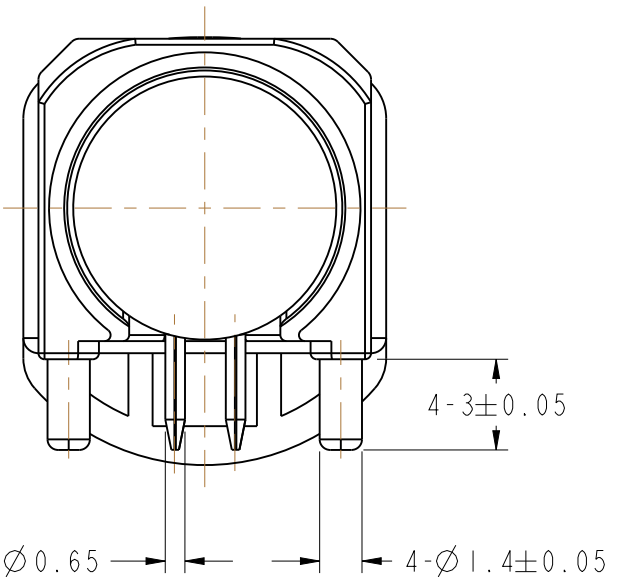
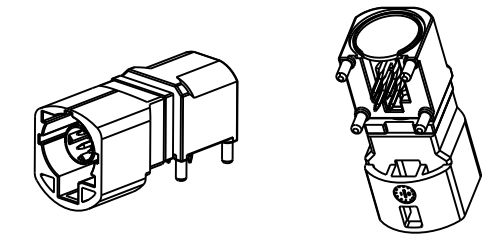
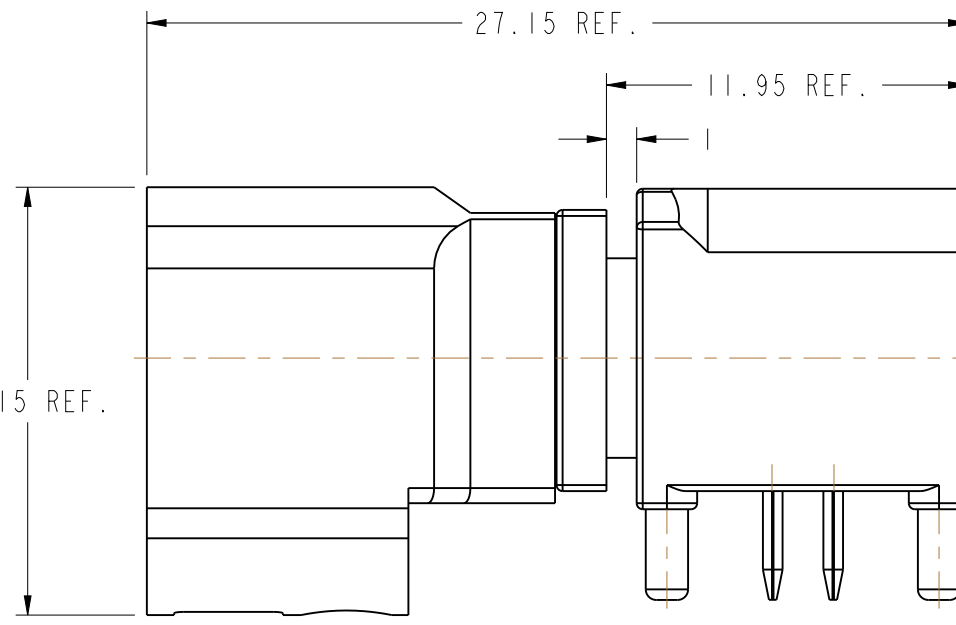
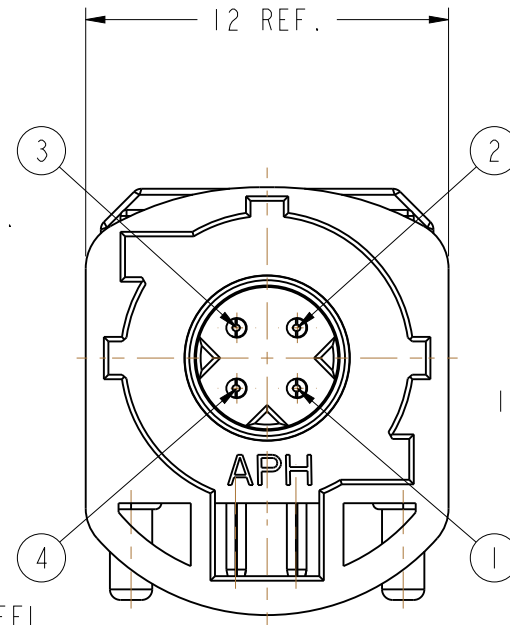
- A. DURABILITY: 25 CYCLES MIN.
- B. TEMPERATURE RANGE: -40° C TO 105° C
- C. HOUSING RETENTION: 110N MIN. AXIAL

4. ORDER P/N SYSTEM AND PACKAGING:

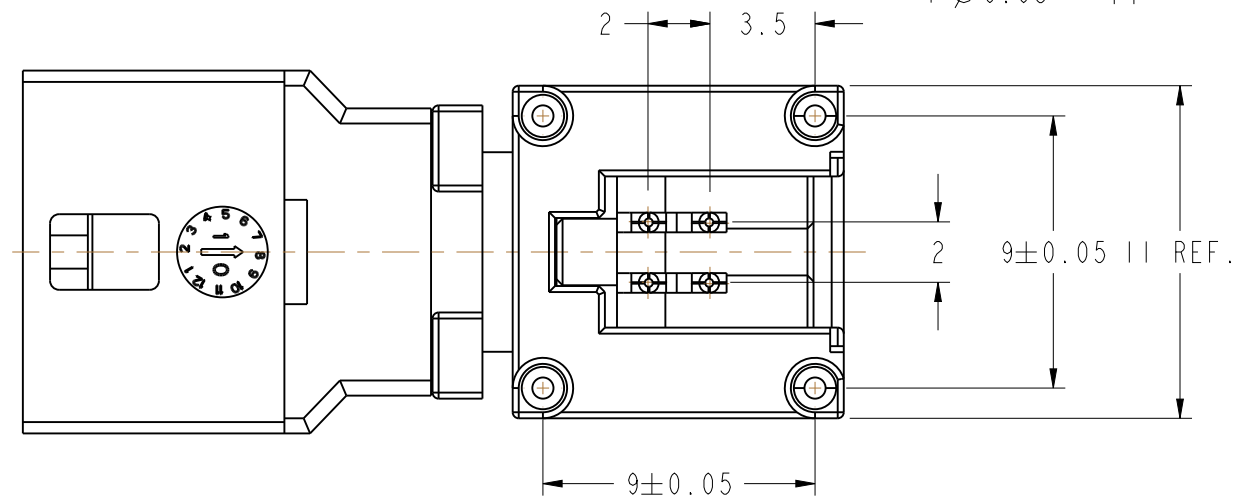
HSD-SXRP-PCB-3X

A=PACKAGING IN TAPE & REEL
B=PACKAGING IN TRAY
C=SINGLE PACK

A. PACKAGING MARKING: AMPHENOL RF
HSD-SXRP-PCB-3X
DATE CODE



RECOMMENDED PCB LAYOUT



CUSTOMER OUTLINE DRAWING

ALL OTHER SHEETS ARE FOR INTERNAL USE ONLY

CODING	DRAWING NUMBER	COLOR	RAL NO.
G	HSD-SGRP-PCB-3X	BLUE GREY	7031
H	HSD-SHRP-PCB-3X	HEATHER VIOLET	4003
J	HSD-SJRP-PCB-3X	BEIGE	1001
K	HSD-SKRP-PCB-3X	CURRY	1027
L	HSD-SLRP-PCB-3X	YELLOW GREEN	6018
M	HSD-SMRP-PCB-3X	PASTEL ORANGE	2003
O	HSD-SORP-PCB-3X	LIGHT GREEN	6027

UNLESS OTHERWISE SPECIFIED, DIMENSIONS ARE IN METRIC AND TOLERANCES ARE:
0.5 - 6mm ±0.1mm 6 - 30mm ±0.2mm 30 - 120mm ±0.3mm ANGLES ±1°

NOTICE - These drawings, specifications, or other data (1) are, and remain the property of Amphenol corp. (2) must be returned upon request; and (3) are confidential and not to be disclosed to any person other than those to whom they are given by Amphenol Corp. the furnishing of these drawings, specifications, or other data by Amphenol Corp., or to any other person to anyone for any purpose is not to be regarded by implication or otherwise in any manner licensing, granting rights to permitting such holder or any other person to manufacture, use or sell any product, process or design, patented or otherwise, that may in any way be related to or disclosed by said drawings, specifications, or other data.

MATERIAL	DRAWN J. YANG	DATE 08-Dec-10
REFERENCE EAR 4401 AND ASCA:HSD-P04-01-X-3-XX	ENGINEER J. YANG	DATE 08-Dec-10
CONFIGURATION LEVEL:	APPROVED K. CAPOZZI	DATE 3/1/13
FINISH	CAD FILE	

TITLE HSD R/A PLUG,PCB	SCALE: 1.0:1.0	SHEET 1 OF 2
DWG SIZE B	CODE ID 74868	REV A

DRAWING NO. HSD-SXRP-PCB-3X		
ITEM NO. HSD-SXRP-PCB-3X		
PART NO. HSD-SXRP-PCB-3X		

Amphenol RF Danbury CT USA, Tainan, Taiwan, Shenzhen, China www.amphenolrf.com		
DRAWING NO. HSD-SXRP-PCB-3X		
ITEM NO. HSD-SXRP-PCB-3X		
PART NO. HSD-SXRP-PCB-3X		

THIRD ANGLE PROJ.

REVISIONS

REV	DESCRIPTION	DATE	ECO	APPR
A	RELEASE TO MFG	3/1/13	49363	JY