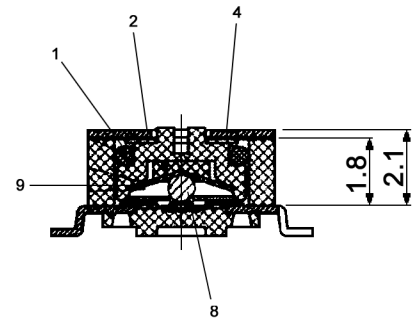
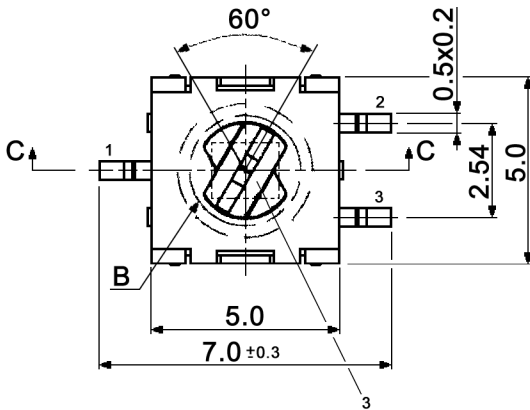
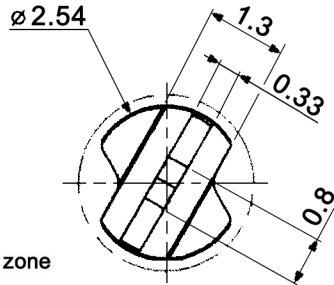
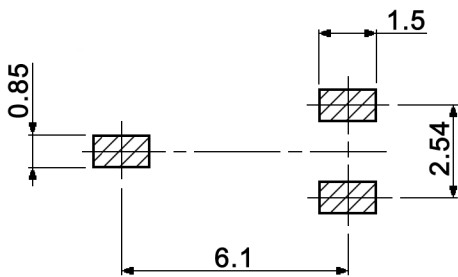


DETAIL B



SECTION C-C

P.C.B. LAYOUT
(TOP VIEW)



CIRCUIT DIAGRAM
1: COMMON PIN
TOP VIEW



Compliance: RohS II (2011/65/EU)

Tolerances: up to 10: ±0.2mm above 10-50: ±0.3mm	Date	Name
	12/10	dr

SMR 1-30

Operating temperature	02/17	dr	knitter-switch
Contact rating	07/15	dr	
Modifications	Date	Name	

30 22 60

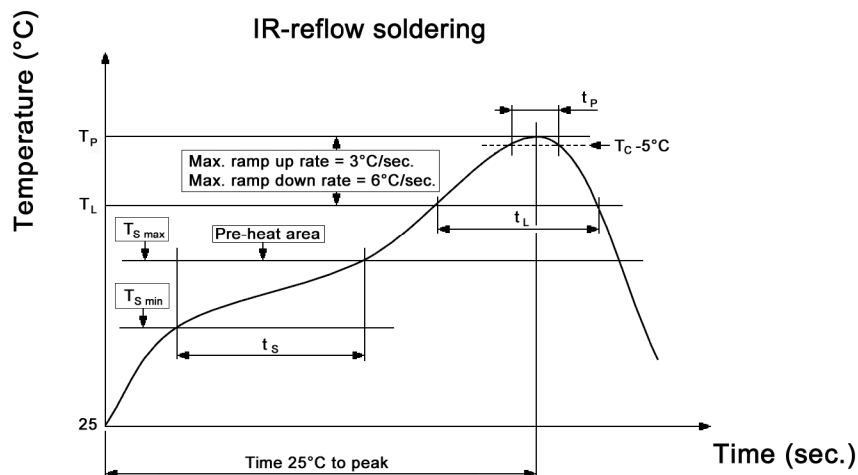
Page

1/3

Specifications:

- Contact rating:** switching: 50mA, 12V DC
non-switching: 100mA, 60V DC
- Contact resistance:** 100mOhm max.
- Insulation resistance:** 500MOhm min. at 500V DC for 1 minute
- Dielectric strength:** 500V AC (50Hz, 2mA) for 1 minute
- Operating temperature:** -40°C to +105°C
- Operating force:** 200gf max.
- Material:**
- 1 - O-ring: silicone rubber, black
 - 2 - Rubber piece: silicone rubber, black
 - 3 - Stem: LCP, dark grey
 - 4 - E-ring: stainless steel, washing
 - 5 - Case: LCP, dark grey
 - 6 - Cover: stainless steel, washing
 - 7 - Terminal: brass, 0.25µm gold plated
 - 8 - Lever supporter: brass, 0.5µm gold plated
 - 9 - Spring plate: stainless steel, washing

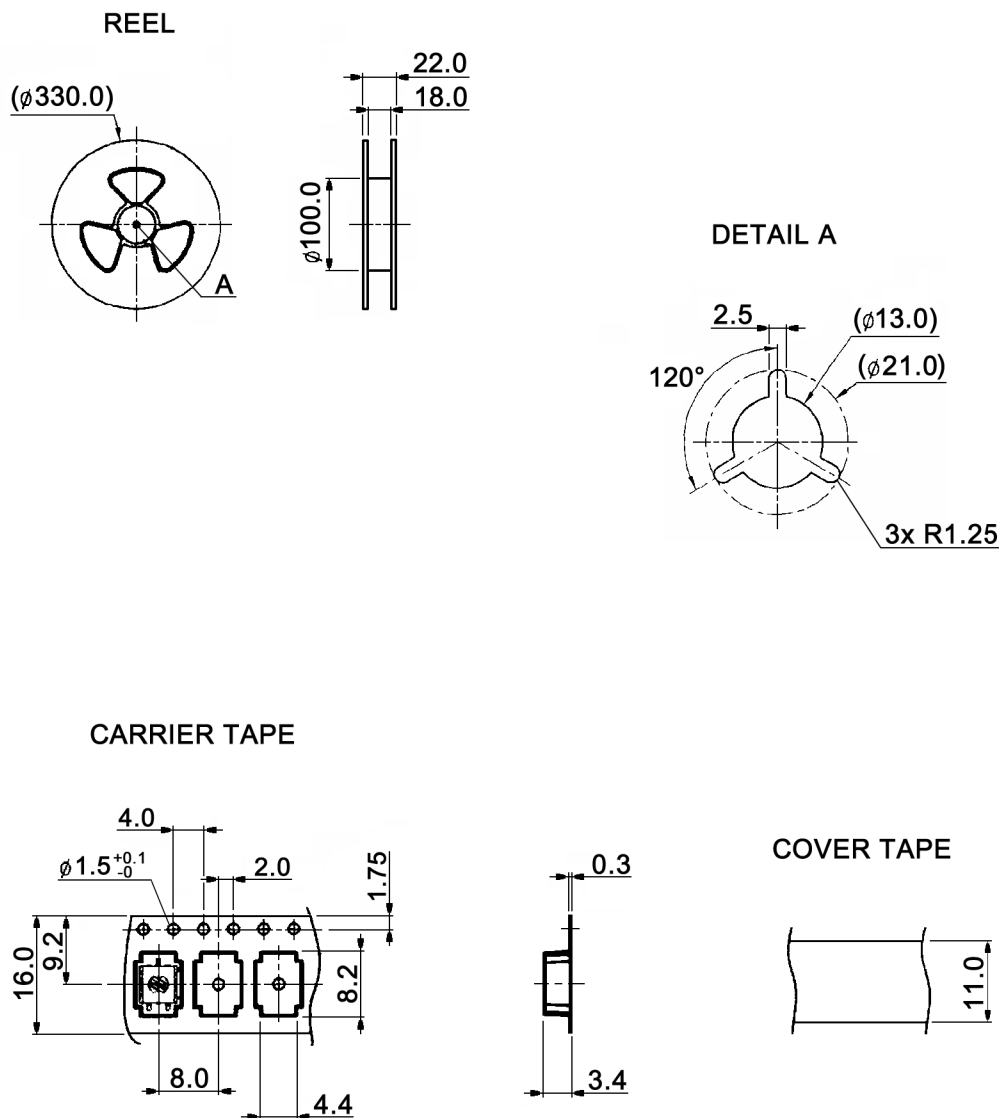
Soldering conditions:



Compliance: RohS II (2011/65/EU)

Tolerances: up to 10: ±0.2mm above 10-50: ±0.3mm		Date	Name	<h1>SMR 1-30</h1>
		12/10	dr	
		knitter-switch		<h2>30 22 60</h2>
				Page
				2/3
Modifications	Date	Name		

Packaging:



Packaging unit: 2000 pcs. / reel
 Compliance: RohS II (2011/65/EU)

Tolerances: up to 10: ±0.2mm above 10-50: ±0.3mm		Date	Name
		12/10	dr
Modifications	Date	Name	

SMR 1-30

30 22 60

Page

3/3