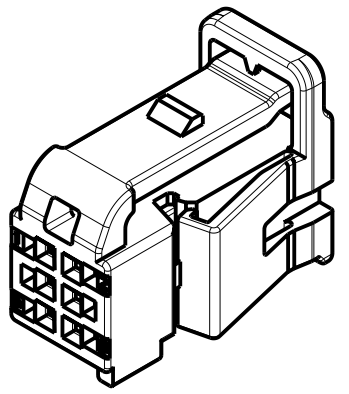
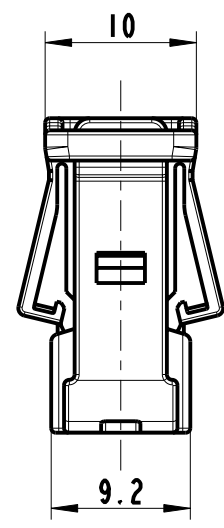
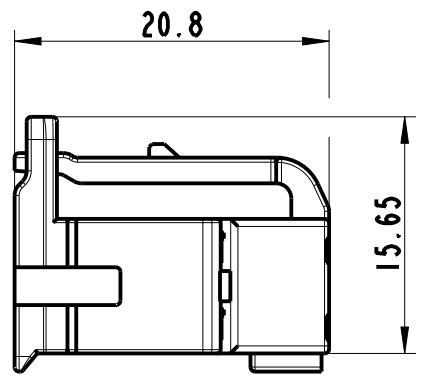
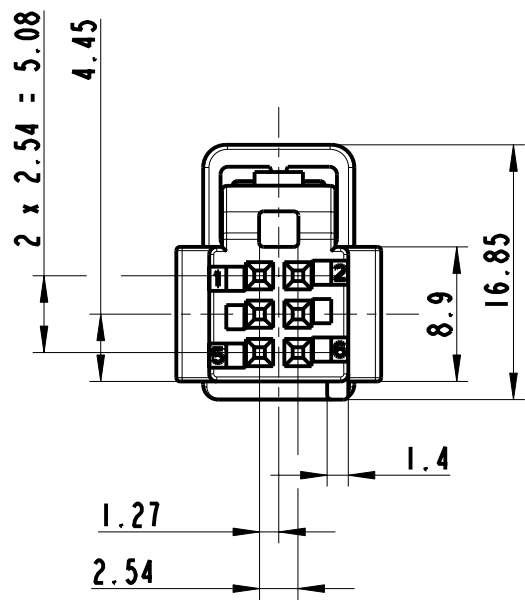
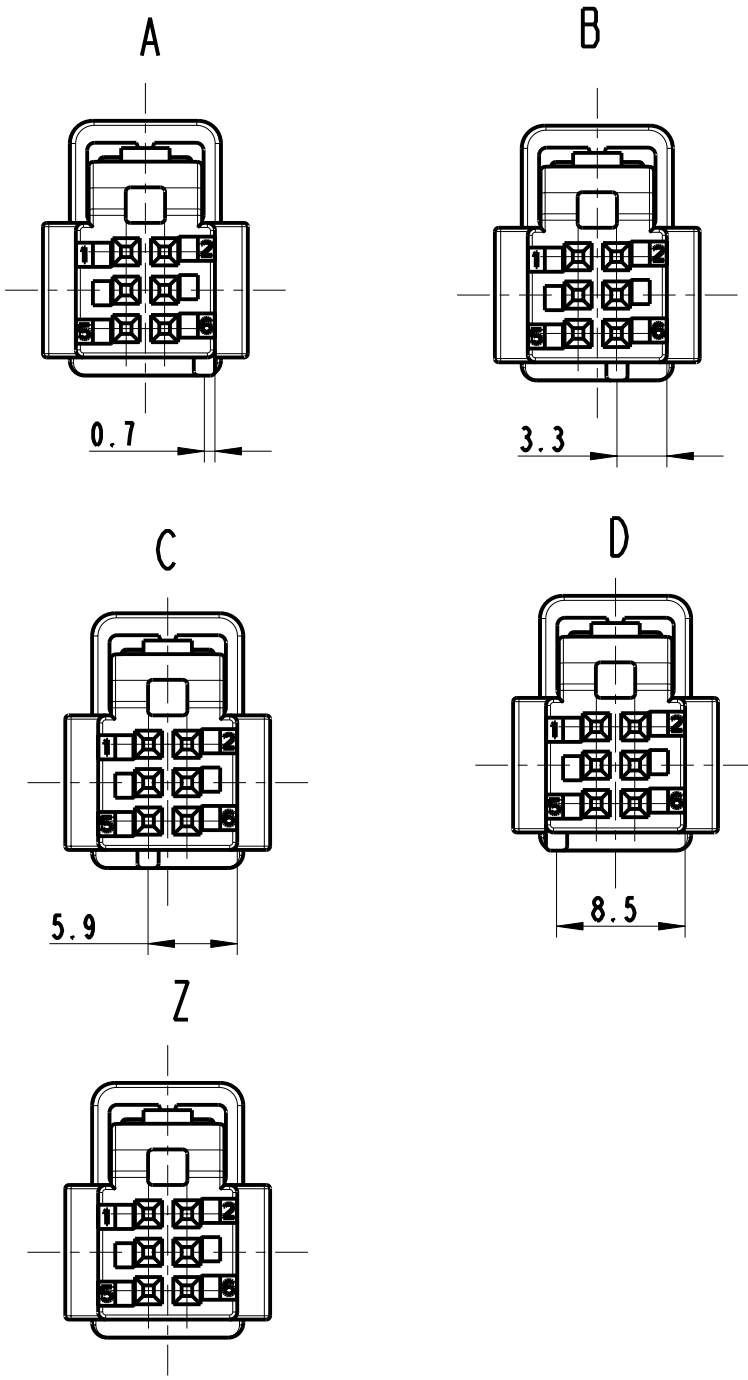


F
E
D
C
B
A



CODINGS



DO NOT SCALE DRAWING		 www.fciconnect.com	ISO PROJECTION SCALE 2:1
TITLE 6 way Duotwin to wire female Housing			DIMENSION IN MILLIMETERS DWG SIZE A3
CATALOG NUMBER		--	SHEET 1 of 1
THIS DRAWING AND ALL OTHER INFORMATION CONTAINED THEREIN IS PROPRIETARY AND THE PROPERTY OF FCI. This drawing may not be copied, reproduced or disclosed to any third party without the expressed written permission of FCI. © FCI April 1999			

8 7 6 5 4 3 2 1

Direct Links ...

- Cross Reference
- RoHS/LF P/N search
- Document & Drawing search
- Application tooling

Services ...

- Contact us
- Distributor list
- Pricing request
- Order samples

Literature ...

- Brochures & catalogs
- Product documentation
- Technical library

Start > Search=PPI0001083* > **PPI0001083**

PPI0001083



PPI0001083

6 way DuoTwin to wire Female Housing

ACTIVE

[Customer Drawing](#)

Automotive division

[Assistant](#) [Add to Favorites](#)

[Email Datasheet](#) [Print Datasheet](#)

FCI Brings You More

- [Contact our sales/technical support](#)
- [Sample request](#)
- [Price request](#)

Specifications

General Mechanical Physical Terminal 1 Type Environmental Other Features

General

Application	Wire to Device
Ways	6
Coding version	A
Product Type	Housing
Coding	Yes
Family	Wire to Device
Features	6Way Female Housing
Hybrid	No

Main Terminal family	DuoTwin
Main Terminal size	0.64 mm
Sealed	No
Terminal Size	0.64
Mechanical	
Connector mating force	< 75N
Physical	
Color	Black
Material	PBT-GF15
Temperature (Range)	-40°C to+105°C
Terminal 1 Type	
Terminal type 1	DuoTwin Female 0.64 mm Terminal
Ways for Terminal Type 1	6
Contact insertion force for Terminal Type 1	< 5N
Contact Pitch for Terminal Type 1	2.54 mm
Retention force (Contact) for Terminal Type 1	> 60N
Environmental	
IMDS	Yes
Other Features	
Type	Female
Disclaimer	For more Information, please contact your local sales office. Displayed data is for information purposes only. The supply of some products might be limited to some customers.

Direct Links ...

- Cross Reference
- RoHS/LF P/N search
- Document & Drawing search
- Application tooling

Services ...

- Contact us
- Distributor list
- Pricing request
- Order samples

Literature ...

- Brochures & catalogs
- Product documentation
- Technical library

Start > Search=PPI0001084* > **PPI0001084**

PPI0001084



PPI0001084

6 way DuoTwin to wire Female Housing

ACTIVE

[Customer Drawing](#)

Automotive division

[Assistant](#) [Add to Favorites](#)

[Email Datasheet](#) [Print Datasheet](#)

FCI Brings You More

- [Contact our sales/technical support](#)
- [Sample request](#)
- [Price request](#)

Specifications

General Mechanical Physical Terminal 1 Type Environmental Other Features

General

Application	Wire to Device
Ways	6
Coding version	B
Product Type	Housing
Coding	Yes
Family	Wire to Device
Features	6Way Female Housing
Hybrid	No

Main Terminal family	DuoTwin
Main Terminal size	0.64 mm
Sealed	No
Terminal Size	0.64
Mechanical	
Connector mating force	< 75N
Physical	
Color	Natural
Material	PBT-GF15
Temperature (Range)	-40°C to+105°C
Terminal 1 Type	
Terminal type 1	DuoTwin Female 0.64 mm Terminal
Ways for Terminal Type 1	6
Contact insertion force for Terminal Type 1	< 5N
Contact Pitch for Terminal Type 1	2.54 mm
Retention force (Contact) for Terminal Type 1	> 60N
Environmental	
IMDS	Yes
Other Features	
Type	Female
Disclaimer	For more Information, please contact your local sales office. Displayed data is for information purposes only. The supply of some products might be limited to some customers.

Direct Links ...

- Cross Reference
- RoHS/LF P/N search
- Document & Drawing search
- Application tooling

Services ...

- Contact us
- Distributor list
- Pricing request
- Order samples

Literature ...

- Brochures & catalogs
- Product documentation
- Technical library

Start > Search=PPI0001087* > **PPI0001087**

PPI0001087



PPI0001087

6 way DuoTwin to wire Female Housing

ACTIVE

[Customer Drawing](#)

Automotive division

[Assistant](#) [Add to Favorites](#)

[Email Datasheet](#) [Print Datasheet](#)

FCI Brings You More

- [Contact our sales/technical support](#)
- [Sample request](#)
- [Price request](#)

Specifications

General Mechanical Physical Terminal 1 Type Environmental Other Features

General

Application	Wire to Device
Ways	6
Coding version	Z
Product Type	Housing
Coding	Yes
Family	Wire to Device
Features	6Way Female Housing
Hybrid	No

Main Terminal family	DuoTwin
Main Terminal size	0.64 mm
Sealed	No
Terminal Size	0.64
Mechanical	
Connector mating force	< 75N
Physical	
Color	Water Blue
Material	PBT-GF15
Temperature (Range)	-40°C to +105°C
Terminal 1 Type	
Terminal type 1	DuoTwin Female 0.64 mm Terminal
Ways for Terminal Type 1	6
Contact insertion force for Terminal Type 1	< 5N
Contact Pitch for Terminal Type 1	2.54 mm
Retention force (Contact) for Terminal Type 1	> 60N
Environmental	
IMDS	Yes
Other Features	
Type	Female
Disclaimer	Displayed data is for information purposes only. For more Information, please contact your local sales office. The supply of some products might be limited to some customers.