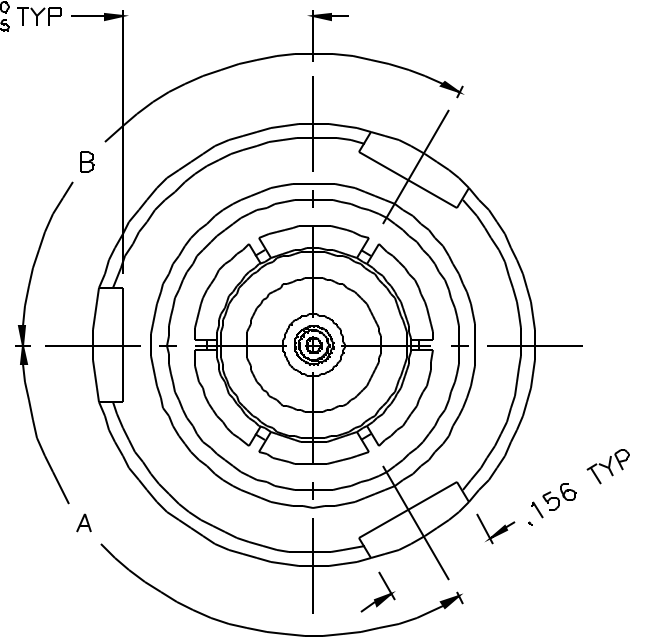
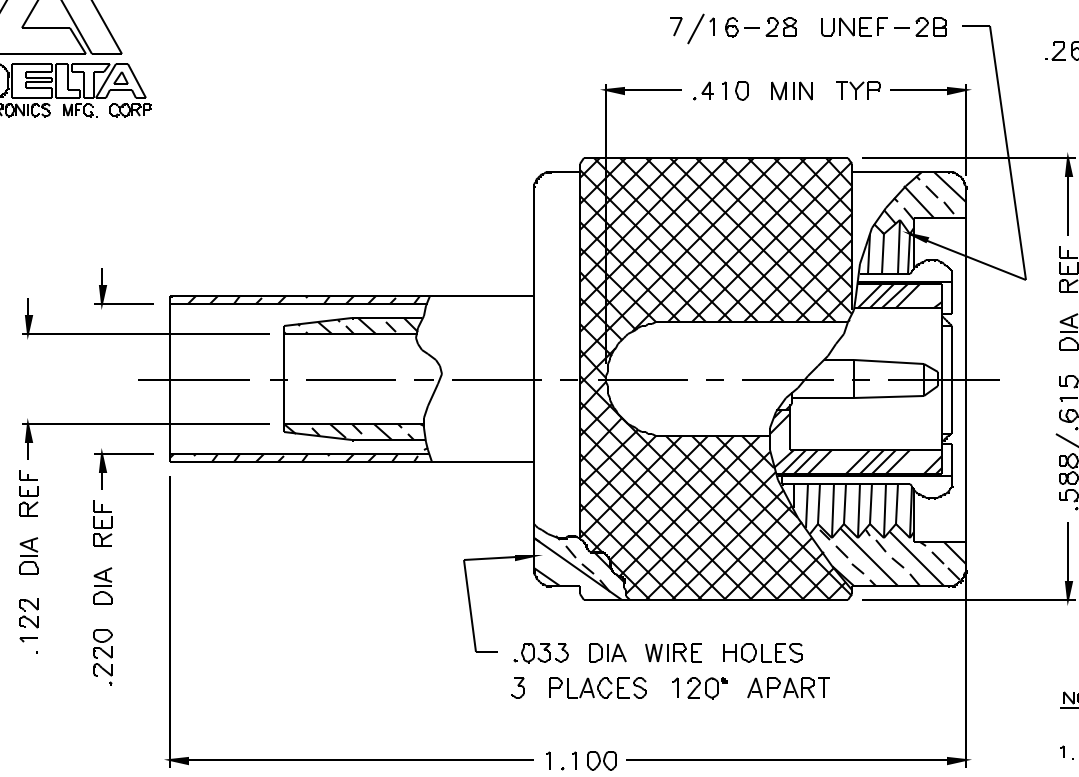
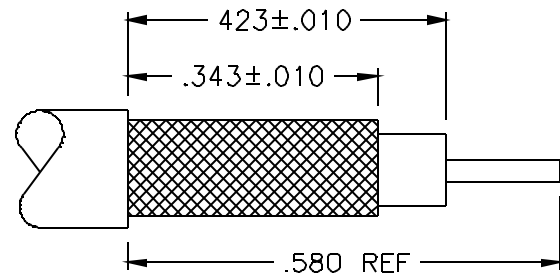


1203-034-A00E-*



NOTES:

1. ASSEMBLED CONNECTOR INTERFACES ARE IN ACCORDANCE WITH MIL-STD-348.
2. MATERIALS: OUTER CONTACT BERYLLIUM - COPPER PER ASTM B196
RETAINING RING - PHOSPHOR BRONZE PER QQ-B-750
INSULATOR - TEFLON PER ASTM D1710
CRIMP SLEEVE - DPH COPPER CDA, ALLOY 122 TEMPER HARD
GASKET - SILICON RUBBER PER ZZ-R- 765
3. FINISHES: CONTACT - GOLD PLATE PER MIL-G-45204
CRIMP SLEEVE - SULFAMATE NICKEL PER MIL-P-27418
ALL OTHER METAL PARTS - SILVER PLATE PER QQ-S-365



CABLE TRIMMING DIMENSIONS

8	110°	72°	ST5M1348TS8B
7	120°	96°	ST5M1348TS7B
6	120°	72°	ST5M1348TS6B
5	120°	120°	ST5M1348TS5B
4	72°	144°	ST5M1348TS4B
3	120°	144°	ST5M1348TS3B
2	96°	96°	ST5M1348TS2B
1	72°	120°	ST5M1348TS1B
*	A	B	MCAIR NUMBER

ALT.	REVISIONS	DATE
-	OUTLINE	7/12/00

DELTA ELECTRONICS MFG. CORP. Beverly, MA 01915

TITLE: 'TNC' (POLARIZED COUPLING NUT) CRIMP PLUG FOR RG-400 & 142/U CABLES

Drawn by EJM 7/12/00	Scale 4/1	Clk. by	Engr Appd	FILE NAME: 1203034A00E-00_T
----------------------------	--------------	---------	-----------	--------------------------------

UNLESS OTHERWISE SPECIFIED: TOLERANCES: 3 PLACES = ±.005, 2 PLACES = ±.02, ANGLES = ±1/2°

THESE DRAWINGS AND SPECIFICATIONS ARE THE PROPERTY OF DELTA ELECTRONICS MFG CORP, AND SHALL NOT BE REPRODUCED, OR COPIED OR USED AS THE BASIS FOR THE MANUFACTURE OR SALE OF APPARATUS OR DEVICES WITHOUT THEIR EXPRESS WRITTEN CONSENT.

CODE IDENT.-00795

1203-034-A00E-*