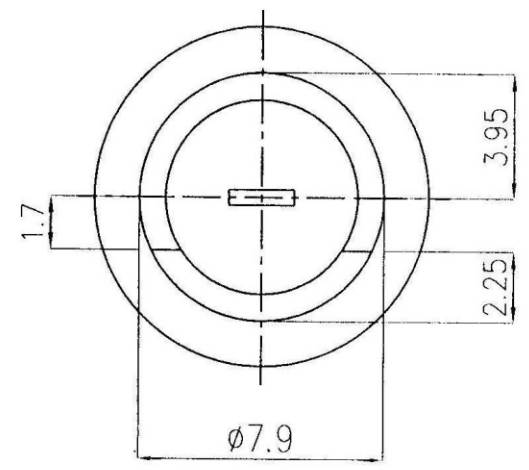
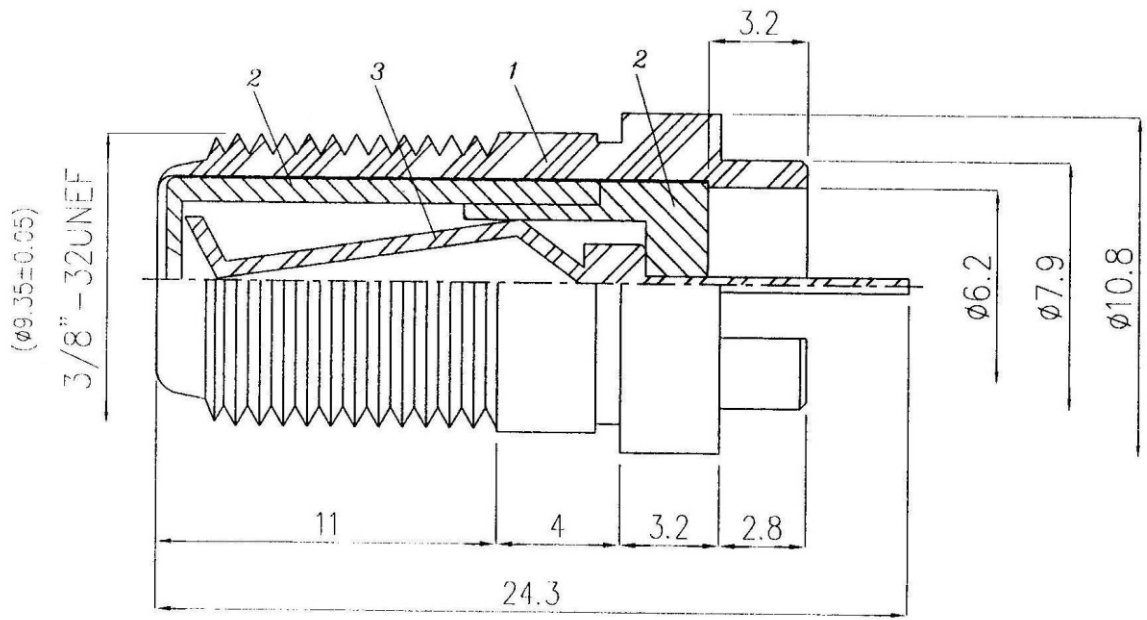


1 2 3 4 5 6 7 8 9 0

J
I
H
G
F
E
D
C
B
A



F-JE17-75-LF
LEADFREE

RoHS Compliant

ON	DESCRIPTION	MATERIAL	PLATING
1	BODY	BRASS	NICKEL
2	DIELECTRIC	TEFLON	-
3	PIN	PHOSPHOR BRONZE	GOLD



PART NO. **F-JE17-75**

DWG NO. **F-JE17-75**

FILE NO.

UNIT / mm

SCALE 1:1

CHECKED BY CY

DRAWING BY

PROJECTION

TOLERANCES ARE
.X ± 0.2
.XX ±
.XXX ±
AWG

DESCRIPTION:			
AREA	REVISIONS	HK	DATE

焜倫股份有限公司