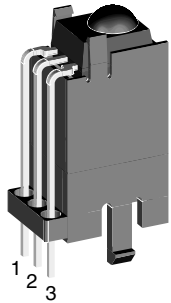
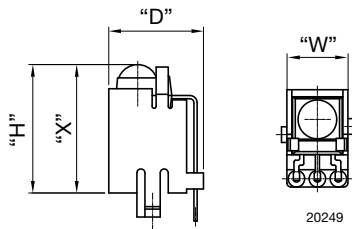


Top View Holder: D = 11.8 mm, H = 20 mm, W = 7.4 mm, X = 20 mm



16652



20249

FEATURES

- Material categorization: for definitions of compliance please see www.vishay.com/doc?99912



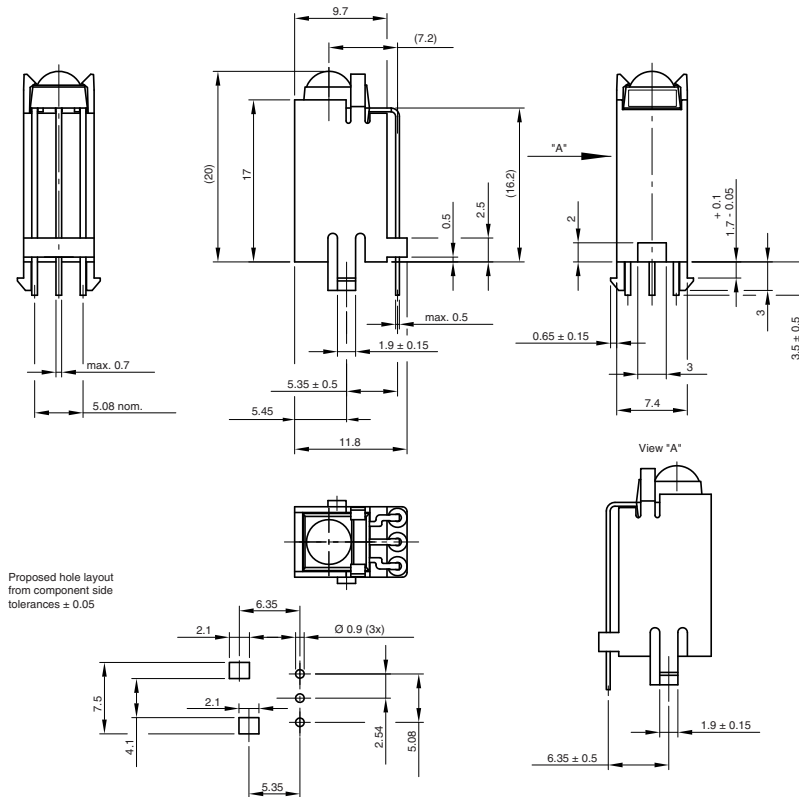
RoHS
COMPLIANT
HALOGEN
FREE
GREEN
(5-2008)

AVAILABLE FOR

- Mold

| NAME | LENS AXIS (X) | VIEW | TYPE | HEIGHT (H) | WIDTH (W) | DEPTH (D) |
|------|---------------|------|--------|------------|-----------|-----------|
| QJ1 | 20 | Top | Holder | 20 | 7.4 | 11.8 |

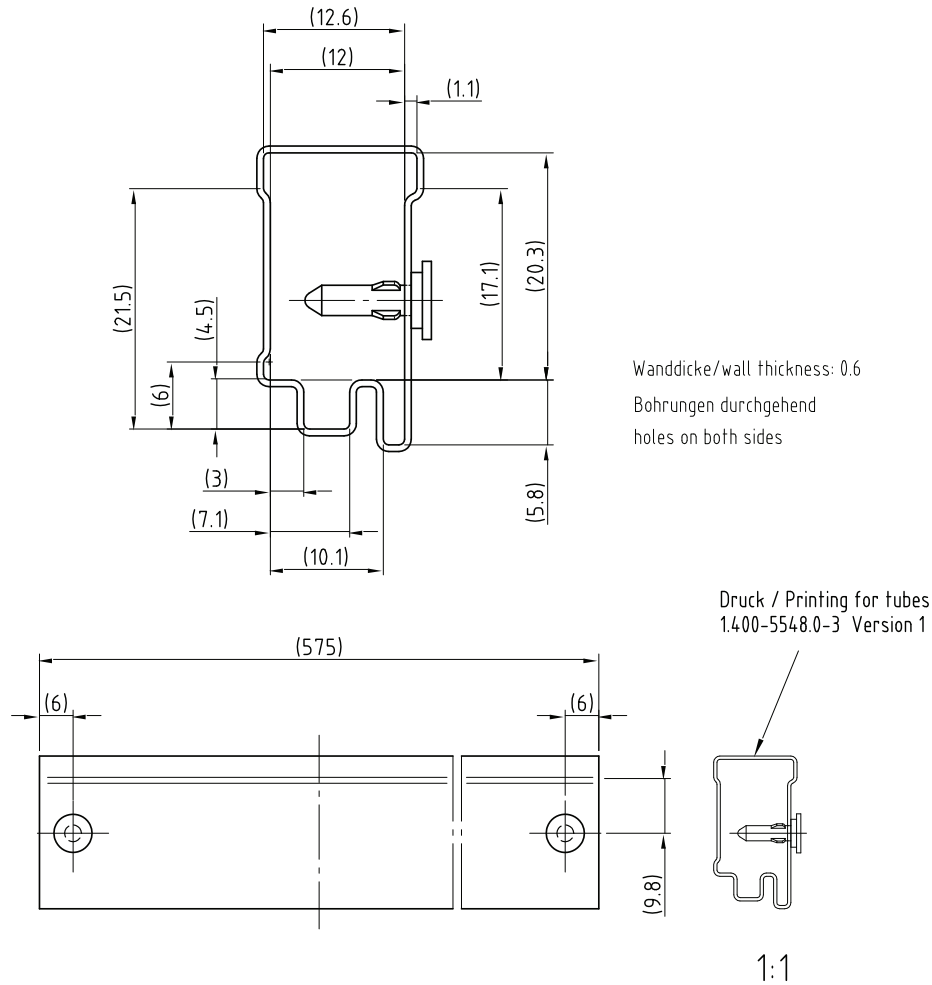
MECHANICAL DIMENSIONS in millimeters



Drawing-No.: 6.550-5195.01-4
Issue: 4, 05.02.09
16794

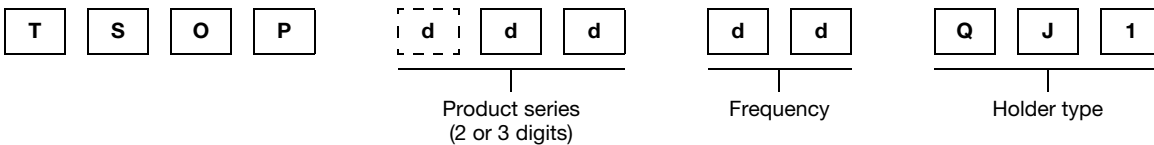
technical drawings according to DIN specifications

PACKAGING DIMENSIONS in millimeters



Drawing-No.: 9.700-5220.0-4
Rev. 4; Date: 20.11.03
20316-1

ORDERING INFORMATION



Note

- d = "digit", please consult the list of available series on the previous page to create a valid part number

Example: TSOP14838QJ1

PACKING QUANTITY

- 68 pieces per tube
- 20 tubes per carton

Vishay offers plastic and metal holder which have different characteristics:

- Plastic Pros: nearly invisible behind the bezel
- Plastic Cons: cannot be reflow soldered, wave soldering deforms the hooks (visual issue only, the part is secured by the leads after soldering)
- Metal Pros: may be reflow and wave soldered, improves EMI and RF rejection
- Metal Cons: appears shiny behind the bezel, will oxidize over time (visual issue only, the holder functionality is not impaired)