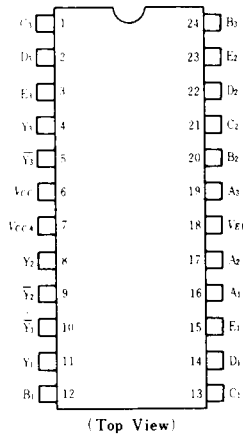


HD100117

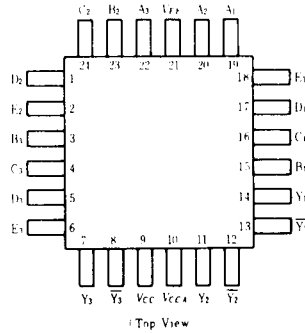
Triple 2-wide OR-AND/OR-AND-INVERT Gates

■ PIN ARRANGEMENT

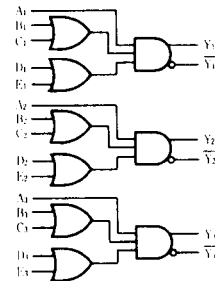
● HD100117



● HD100117F



■ LOGIC DIAGRAM



■ DC CHARACTERISTICS ($V_{EE} = -4.2$ to $-4.8V$, $V_{CC} = V_{CCA} = GND$, $T_a = 0$ to $+85^\circ C$)

Item	Symbol	Test Condition	min	typ	max	Unit
Supply Current	I_{EE}	All input open	37	54	79	mA
Input Current	I_{IH}	A_n	—	—	350	μA
		$B_n \sim E_n$	—	—	220	μA

Note) As for other items, refer to the "Common DC Characteristics".

■ AC CHARACTERISTICS ($V_{EE} = -2.2$ to $-2.8V$, $V_{CC} = V_{CCA} = 2.0V$)

● HD100117

Item	Symbol	Test Condition	0°C		25°C			85°C		Unit
			min	max	min	typ	max	min	max	
Propagation Delay Time	t_{PLH}	See test circuit and waveform	0.45	1.30	0.45	0.75	1.30	0.45	1.35	ns
	t_{PHL}		0.90	2.40	0.90	1.70	2.40	0.90	2.40	
Transition Time	t_{TLH}		0.35	1.10	0.35	0.75	1.10	0.35	1.10	ns
	t_{THL}									

● HD100117F

Item	Symbol	Test Condition	0°C		25°C			85°C		Unit
			min	max	min	typ	max	min	max	
Propagation Delay Time	t_{PLH}	See test circuit and waveform	0.45	1.00	0.45	0.75	1.00	0.50	1.05	ns
	t_{PHL}		0.90	2.10	0.90	1.55	2.10	0.90	2.20	
Transition Time	t_{TLH}		0.40	1.05	0.40	0.75	1.05	0.40	1.05	ns
	t_{THL}									

Notes) The circuits in a test socket or mounted on a printed circuit board and transverse air flow greater than 2.5m/s (500 linear fpm) is maintained.