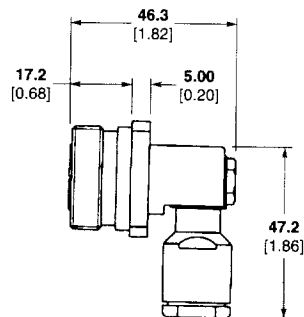
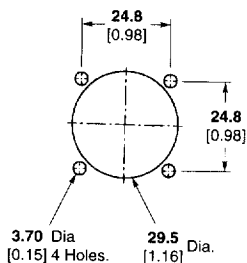


**7-16 Series Connectors** (Continued)

**Right Angle Panel Jack  
Solder/Clamp**



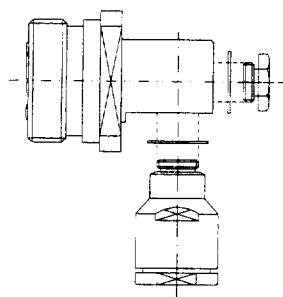
**Mounting Detail**



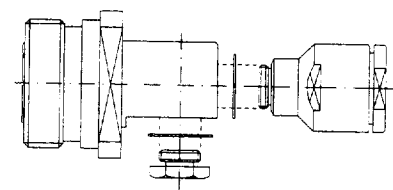
Cable Type	Body Plating	M/A-COM Model No.	Part No.
RG 213/U, RG 214/U, RG 393	White Bronze	D75G10B004R	<b>1408036-1</b>
RG 58C/U, RG 142B/U, RG 223/U, RG 400/U	White Bronze	D75G09B010R	<b>1363527-1</b>

**Combination Series**

**Right Angle Configuration**



**Straight Configuration**

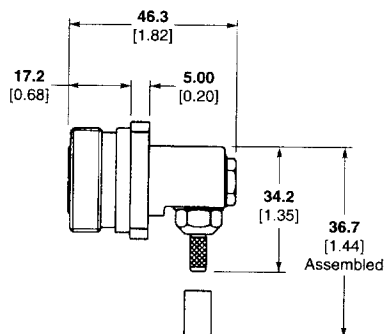


The 7-16 combination series provides a cost effective and versatile method for attaching 7-16 connectors to coaxial cable. The connector front end (plug or jack interface) has two 90° diametrically opposed ports with a threaded cap for creating straight or right angle

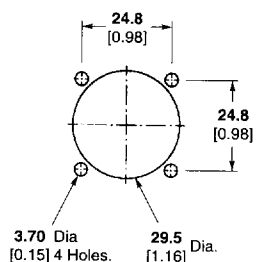
configurations merely by switching the cap with a cable entry sub-assembly. The sub-assemblies are available in either crimp or clamp cable attachment styles for specified RG cables. Simply select the connector front end and the appropriate cable entry sub-

assembly to make your combination connector. This versatility lowers inventory and installation costs by minimizing the number of piece parts required to assemble a maximum number of connector types.

**Combination Panel Jack  
Solder/Crimp**



**Mounting Detail**



Cable Type	Body Plating	M/A-COM Model No.	Part No.
RG 55B/U, RG 142B/U, RG 233/U, RG 400/U	White Bronze	D75G07B060R	<b>1363524-1</b>
RG 8A/U, RG 213/U	White Bronze	D75G08B001R	<b>1363525-1</b>
RG 9B/U, RG 214/U	White Bronze	D75G08B004R	<b>1363526-1</b>