

4

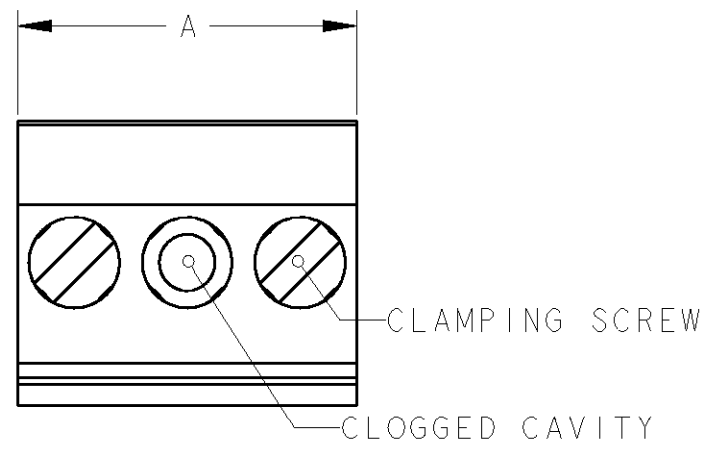
3

2

1

THIS DRAWING IS UNPUBLISHED. RELEASED FOR PUBLICATION 20  
 © COPYRIGHT 20 BY TYCO ELECTRONICS CORPORATION. ALL RIGHTS RESERVED.

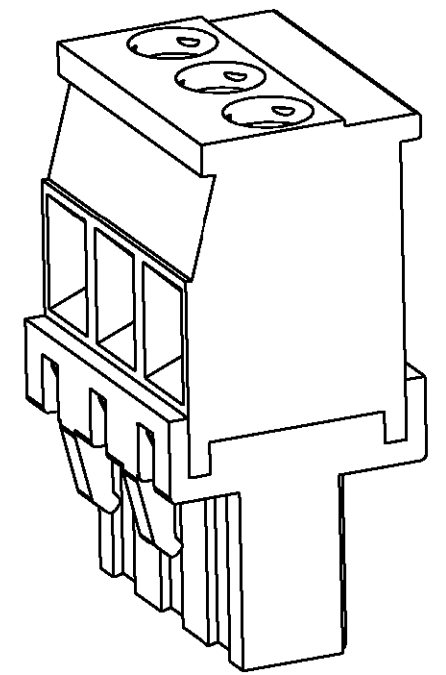
LOC	DIST	REVISIONS			
P	LTR	DESCRIPTION	DATE	DWN	APVD
	B	REVISED PER 0G3B-0119-01	04JAN2002	EZ	DB



1 MATERIALS AND FINISH  
 HOUSING: PA 6-6, UL 94-V0, COLOR GREEN.  
 CLAMP: BRASS, NICKEL PLATED.  
 DOUBLE SIDE CONTACT SPRING: PHOSPHOR BRONZE, TIN PLATED.  
 CLAMPING SCREW: M3, BRASS, NICKEL PLATED.

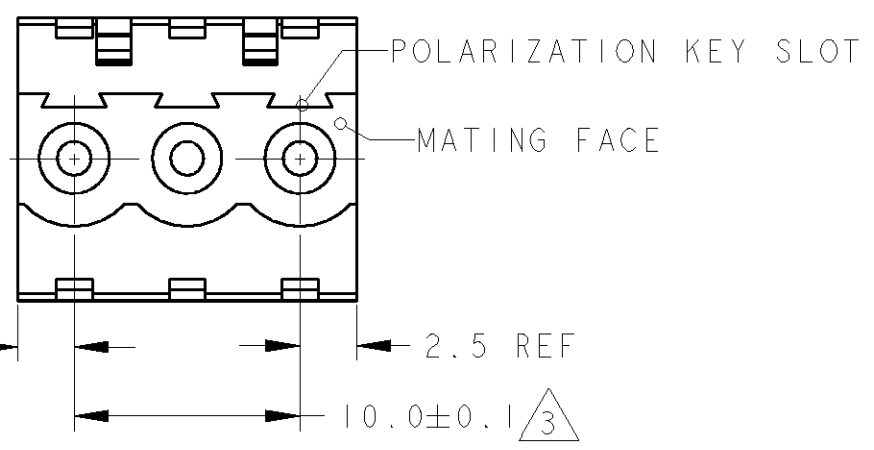
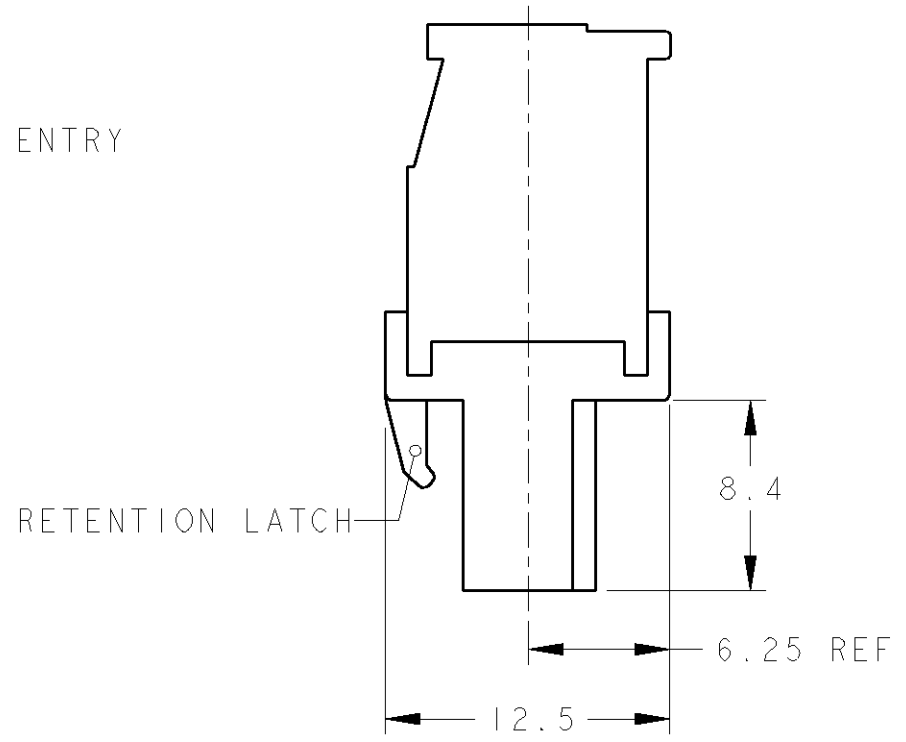
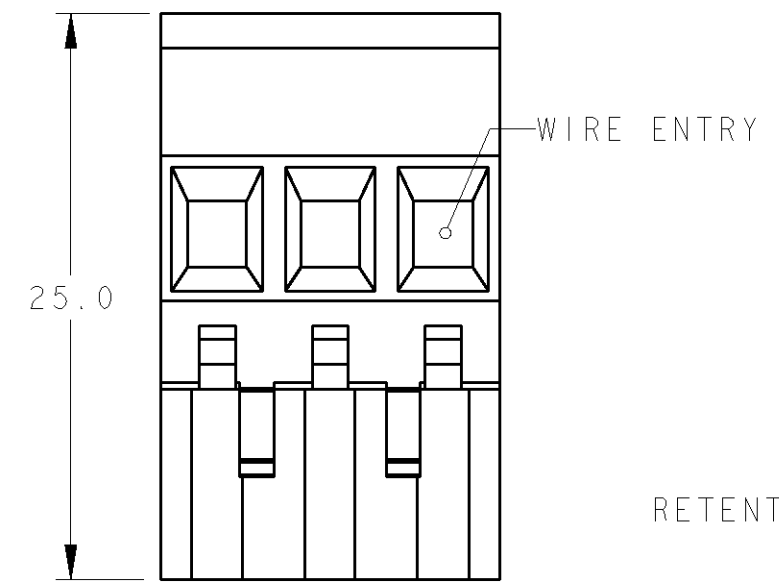
2 WIRE SIZE RANGE:  
 12 - 30 AWG

3 NOT CUMULATIVE TOLERANCE.



284050-2 AS SHOWN

DIM. A	N° OF POS.	PART NUMBER
125	13	1-284050-3
115	12	1-284050-2
105	11	1-284050-1
95	10	1-284050-0
85	9	284050-9
75	8	284050-8
65	7	284050-7
55	6	284050-6
45	5	284050-5
35	4	284050-4
25	3	284050-3
15	2	284050-2



THIS DRAWING IS A CONTROLLED DOCUMENT FOR TYCO ELECTRONICS CORPORATION  
 IT IS SUBJECT TO CHANGE AND THE CONTROLLING ENGINEERING ORGANIZATION  
 SHOULD BE CONTACTED FOR THE LATEST REVISION.

DIMENSIONS:	TOLERANCES UNLESS OTHERWISE SPECIFIED:
mm	
0 PLC	±
1 PLC	±.3
2 PLC	±.25
3 PLC	±
4 PLC	±
ANGLES	±2
MATERIAL	FINISH

DWN	04JAN2002
E. ZANOLINI	
CHK	04JAN2002
E. ZANOLINI	
APVD	04JAN2002
D. BIEVENOUR	
PRODUCT SPEC	-
APPLICATION SPEC	-
WEIGHT	-
CUSTOMER DRAWING	

<b>BUCHANAN</b>		Tyco Electronics Harrisburg, PA 17105-3608	
NAME TERMINAL BLOCK VERTICAL PLUG STACKING, RIGHT HAND 10.0mm PITCH			
SIZE	CAGE CODE	DRAWING NO	RESTRICTED TO
A3	00779	C=284050	-
SCALE 3:1		SHEET 1 OF 1	REV B