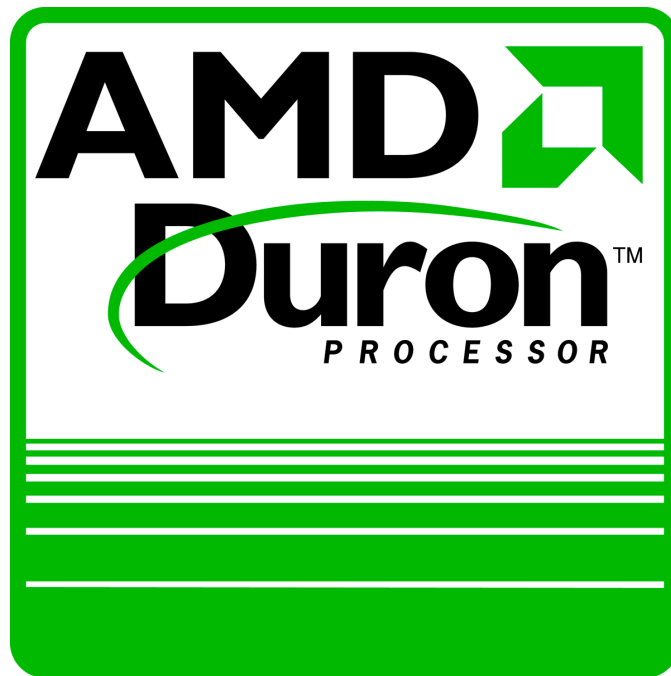


Preliminary Information

AMD Duron™

Processor Data Sheet



Preliminary Information

© 2000 **Advanced Micro Devices, Inc.** All rights reserved.

The contents of this document are provided in connection with Advanced Micro Devices, Inc. ("AMD") products. AMD makes no representations or warranties with respect to the accuracy or completeness of the contents of this publication and reserves the right to make changes to specifications and product descriptions at any time without notice. No license, whether express, implied, arising by estoppel or otherwise, to any intellectual property rights is granted by this publication. Except as set forth in AMD's Standard Terms and Conditions of Sale, AMD assumes no liability whatsoever, and disclaims any express or implied warranty, relating to its products including, but not limited to, the implied warranty of merchantability, fitness for a particular purpose, or infringement of any intellectual property right.

AMD's products are not designed, intended, authorized or warranted for use as components in systems intended for surgical implant into the body, or in other applications intended to support or sustain life, or in any other application in which the failure of AMD's product could create a situation where personal injury, death, or severe property or environmental damage may occur. AMD reserves the right to discontinue or make changes to its products at any time without notice.

Trademarks

AMD, the AMD logo, AMD Duron, and combinations thereof, and 3DNow! are trademarks of Advanced Micro Devices, Inc.

MMX is a trademark of Intel Corporation.

Digital and Alpha are trademarks of Digital Equipment Corporation.

Other product names used in this publication are for identification purposes only and may be trademarks of their respective companies.

Contents

	Revision History	ix
1	Overview	1
	1.1 AMD Duron™ Processor Microarchitecture Summary	2
2	Interface Signals	5
	2.1 Overview	5
	2.2 Signaling Technology	5
	2.3 Push-Pull (PP) Drivers	6
	2.4 AMD System Bus Signals	6
3	Logic Symbol Diagram	7
4	Power Management	9
	4.1 Power Management States	9
	Full-On	10
	Halt State	10
	Stop Grant and Sleep States	10
	Probe State	11
	4.2 Connection and Disconnection Protocol	11
	Connection Protocol	12
	Connection State Machines	15
5	Thermal Design	17
6	Electrical Data	19
	6.1 Voltage Identification (VID[4:0])	20
	6.2 Frequency Identification (FID[3:0])	20
	6.3 SYSCLK and SYSCLK#	20
	6.4 VCCA AC and DC Characteristics	21
	6.5 Decoupling	21
	6.6 Operating Ranges	21
	6.7 Absolute Ratings	22
	6.8 Power Dissipation	22
	6.9 SYSCLK and SYSCLK# AC and DC Characteristics	23
	6.10 AMD System Bus AC/DC Characteristics	24
	Push-Pull Mode IV Curves	25
	6.11 System Bus AC Characteristics	26
	6.12 Southbridge AC and DC Characteristics	27
	6.13 APIC Pin AC and DC Characteristics	29
7	Signal and Power-Up Requirements	31
	7.1 Power-Up Requirements	31
	Signal Sequence and Timing Description	31
	Clock Multiplier Selection (FID[3:0])	34
	7.2 Processor Warm Reset Requirements	36
	The AMD Duron Processor and Northbridge Reset Pins	36

8	Mechanical Data	37
8.1	Introduction	37
8.2	Pinout Diagram	37
8.3	Socket Tabs for Heatsink Clips	41
9	Pin Descriptions	43
9.1	Introduction	43
9.2	Pin List	51
9.3	Detailed Pin Descriptions	59
	A20M# Pin	59
	AMD Pin	59
	AMD System Bus Pins	59
	Analog Pin	59
	CLKFWRST Pin	59
	CLKIN, RSTCLK (SYSCLK) Pins	59
	CONNECT Pin	59
	COREFB and COREFB# Pins	59
	DBRDY and DBREQ# Pins	59
	FERR Pin	60
	FID[3:0] Pins	60
	FLUSH# Pin	61
	IGNNE# Pin	61
	INIT# Pin	61
	INTR Pin	61
	JTAG Pins	61
	K7CLKOUT and K7CLKOUT# Pins	61
	Key Pins	61
	NC Pins	62
	NMI Pin	62
	PGA Orientation Pins	62
	PLL Bypass and Test Pins	62
	PWROK Pin	62
	SADDIN[1]# and SADDOUT[1:0]# Pins	62
	Scan Pins	63
	SCHECK[7:0]# Pin	63
	SMI# Pin	63
	STPCLK# Pin	63
	SYSCLK and SYSCLK# Pins	63
	SYSVREFMODE Pin	63
	VCCA Pin	63
	VID[4:0] Pins	63
	VREFSYS Pin	64
	ZN, VCC_Z, ZP, and VSS_Z Pins	64
10	Ordering Information	67
	Standard AMD Duron Processor Products	67
	Appendix A Conventions, Abbreviations, and References	69

List of Figures

Figure 1.	Typical AMD Duron™ Processor System Block Diagram	3
Figure 2.	Logic Symbol Diagram.	7
Figure 3.	AMD Duron Processor Power Management States.	9
Figure 4.	Example System Bus Disconnection Sequence.	13
Figure 5.	Exiting Stop Grant State/Bus Reconnection Sequence	14
Figure 6.	System Connection States.	15
Figure 7.	Processor Connection States.	16
Figure 8.	SYCLK and SYCLK# Differential Clock Signals	23
Figure 9.	PP Mode Pulldown IV Curve.	25
Figure 10.	PP Mode Pullup IV Curve	25
Figure 11.	Signal Relationship Requirements during Power-Up Sequence	32
Figure 12.	Typical SIP Protocol Sequence.	35
Figure 13.	PGA Package, Bottom View	38
Figure 14.	PGA Package, Top View	38
Figure 15.	PGA Package, Side View.	39
Figure 16.	Socket A with Outline of Socket and Heatsink Tab.	41
Figure 17.	AMD Duron Processor Pin Diagram—Topside View.	44
Figure 18.	PGA OPN Example for the AMD Duron Processor.	67

List of Tables

Table 1.	AMD Duron™ Processor Power Management States	12
Table 2.	AMD Duron Processor Interface Signal Groupings	19
Table 3.	VID[4:0] AC and DC Characteristics	20
Table 4.	FID[3:0] AC and DC Characteristics	20
Table 5.	SYCLK/SYCLK# AC and DC Characteristics	20
Table 6.	VCCA AC and DC Characteristics	21
Table 7.	Operating Ranges	21
Table 8.	Absolute Ratings	22
Table 9.	VCC_CORE Power and Current	22
Table 10.	SYCLK and SYCLK# AC and DC Characteristics	23
Table 11.	AMD System Bus AC/DC Characteristics	24
Table 12.	System Bus AC Characteristics	26
Table 13.	Southbridge AC and DC Characteristics	27
Table 14.	APIC Pin AC and DC Characteristics	29
Table 15.	SIP Protocol States and Actions	35
Table 16.	RESET# Minimum Duration	36
Table 17.	Package Measurements	39
Table 18.	Pin Name Abbreviations	45
Table 19.	Socket A Pin Cross-Reference by Pin Location	51
Table 20.	FID[3:0] Clock Multiplier Encodings	60
Table 21.	VID[4:0] Code to Voltage Definition	64
Table 22.	Examples of Ordering Part Number Combinations	67
Table 23.	Abbreviations	71
Table 24.	Acronyms	72

Revision History

Date	Rev	Description
June 2000	B	Initial public release

1 Overview

The AMD Duron™ processor enables an optimized PC solution for value-conscious business and home users by providing the capability and flexibility to meet their computing needs for both today and tomorrow.

The AMD Duron processor is the latest offering from AMD designed for the value segment of the market. The innovative design was developed to accommodate new and more advanced applications, meeting the requirements of today's most demanding value-conscious buyers without compromising their budget.

Delivered in a PGA package, the AMD Duron processor is the new AMD workhorse processor for value desktop systems, delivering the highest integer, floating-point and 3D multimedia performance for applications running on x86 system platforms. The AMD Duron processor provides value-conscious customers with access to advanced technology that allows their system investment to last for years to come. The AMD Duron processor is designed as a solid platform for surfing the Internet, digital entertainment, and personal creativity. In addition, it is engineered to enable superior business productivity by delivering an optimized combination of computing performance and value.

The AMD Duron processor features the seventh-generation microarchitecture with an integrated L2 cache, which supports the growing processor and system bandwidth requirements of emerging software, graphics, I/O, and memory technologies. The AMD Duron processor's high-speed execution core includes multiple x86 instruction decoders, a dual-ported 128-Kbyte split level-one (L1) cache, a 64-Kbyte on-chip L2 cache, three independent integer pipelines, three address calculation pipelines, and a superscalar, fully pipelined, out-of-order, three-way floating-point engine. The floating-point engine is capable of delivering 2.8 gigaflops (Gflops) of single-precision and more than 1.4 Gflops of double-precision floating-point results at 700 MHz, for superior performance on numerically complex applications.

The AMD Duron processor microarchitecture incorporates enhanced 3DNow!™ technology, a high-performance cache architecture, and the 200-MHz 1.6-Gigabyte per second AMD system bus. The AMD system bus combines the latest technological advances, such as point-to-point topology, source-synchronous packet-based transfers, and low-voltage signaling, to provide the most powerful, scalable bus available for any x86 processor.

The AMD Duron processor is binary-compatible with existing x86 software and backwards compatible with applications optimized for MMX™ and 3DNow! instructions. Using a data format and single-instruction multiple-data (SIMD) operations based on the MMX instruction model, the AMD Duron processor can produce as many as four, 32-bit, single-precision floating-point results per clock cycle, potentially resulting in 2.8 Gflops at 700MHz (fully scalable). The enhanced 3DNow! technology implemented in the AMD Duron processor includes new integer multimedia instructions and software-directed data movement instructions to deliver a superior performance to Celeron in multimedia and number-intensive applications.

1.1 AMD Duron™ Processor Microarchitecture Summary

The following features summarize the AMD Duron processor microarchitecture:

- The industry's first nine-issue, superpipelined, superscalar x86 processor microarchitecture designed for high clock frequencies
- Multiple x86 instruction decoders
- Three out-of-order, superscalar, fully pipelined floating-point execution units, which execute all x87 (floating-point), MMX and 3DNow! instructions
- Three out-of-order, superscalar, pipelined integer units
- Three out-of-order, superscalar, pipelined address calculation units
- 72-entry instruction control unit
- Advanced dynamic branch prediction
- Enhanced 3DNow! technology with new instructions to enable improved integer math calculations for speech or video encoding and improved data movement for internet plug-ins and other streaming applications

- 200-MHz AMD system bus (scalable beyond 400 MHz) enabling leading-edge system bandwidth for data movement-intensive applications
- High-performance cache architecture featuring an integrated 128-Kbyte L1 cache and a 16-way, on-chip 64-Kbyte L2 cache

The AMD Duron processor delivers superior system performance in a cost-effective, industry-standard form factor. The AMD Duron processor is compatible with motherboards based on AMD's Socket A. Figure 1 on page 3 shows a typical AMD Duron processor system block diagram.

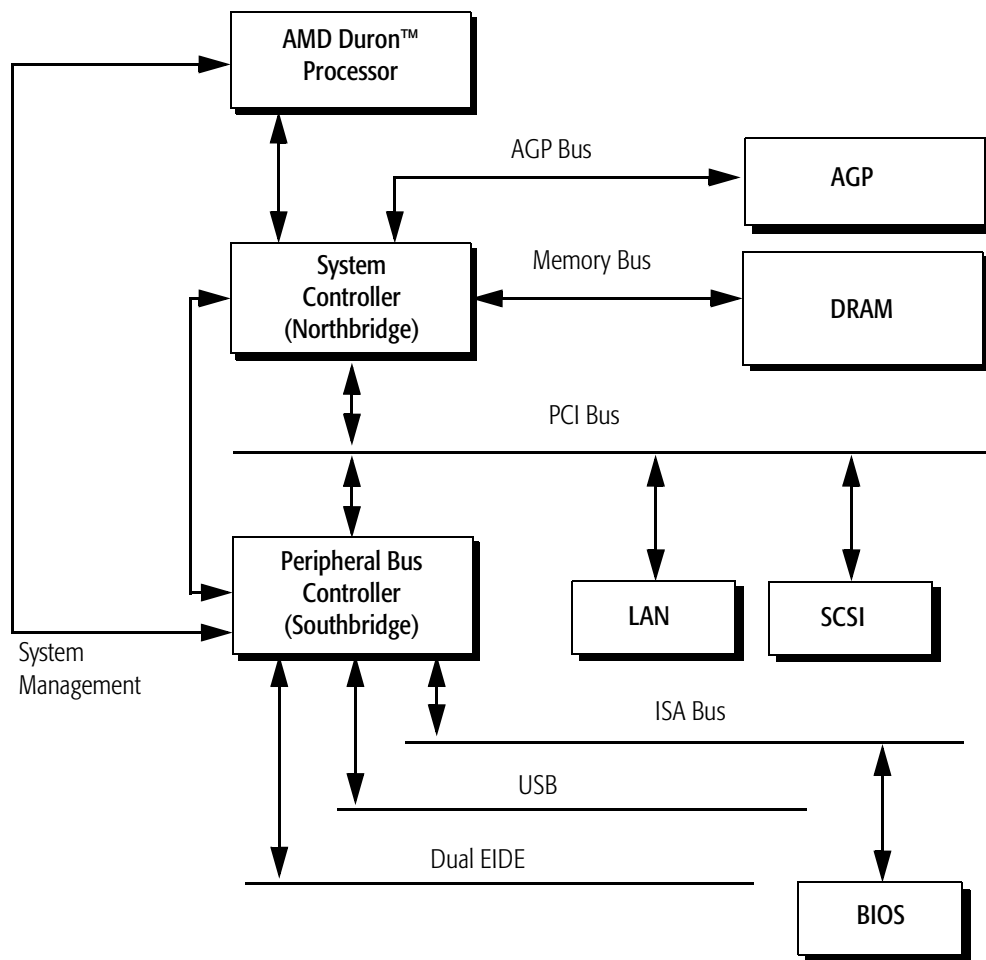


Figure 1. Typical AMD Duron™ Processor System Block Diagram

2 Interface Signals

2.1 Overview

The AMD system bus architecture is designed to deliver superior data movement bandwidth for value x86 platforms. The system bus architecture consists of three high-speed channels (a unidirectional processor request channel, a unidirectional probe channel, and a 72-bit bidirectional data channel, including 8-bit error code correction [ECC] protection), source-synchronous clocking, and a packet-based protocol. In addition, the system bus supports several control, clock, and legacy signals. The interface signals use an impedance controlled push-pull low-voltage swing signaling technology contained within the Socket A mechanical connector, which is mechanically compatible with the industry-standard SC242 connector. For more information, see “AMD System Bus Signals” on page 6, Chapter 9, “Pin Descriptions” on page 43, and the *AMD System Bus Specification*, order# 21902.

2.2 Signaling Technology

The AMD system bus uses a low-voltage, swing signaling technology, which has been enhanced to provide larger noise margins, reduced ringing, and variable voltage levels. The signals are push-pull and impedance compensated. The signal inputs use differential receivers, which require a reference voltage (V_{REF}). The reference signal is used by the receivers to determine if a signal is asserted or deasserted by the source. Termination resistors are not needed because the driver is impedance matched to the motherboard and a high impedance reflection is used at the receiver to bring the signal past the input threshold.

For more information about pins and signals, see Chapter 9, “Pin Descriptions” on page 43.

2.3 Push-Pull (PP) Drivers

The Socket A AMD Duron™ processor supports Push-Pull (PP) drivers. The system logic configures the AMD Duron processor with the configuration parameter called SysPushPull (1=PP). The impedance of the PP drivers is set to match the impedance of the motherboard by two external resistors connected to the ZN and ZP pins. See “ZN, VCC_Z, ZP, and VSS_Z Pins” on page 64 for more information.

2.4 AMD System Bus Signals

The AMD system bus is a clock-forwarded, point-to-point interface with the following three point-to-point channels:

- A 13-bit unidirectional output address/command channel
- A 13-bit unidirectional input address/command channel
- 72-bit bidirectional data channel

For more information, see Chapter 6, “Electrical Data” on page 19 and the AMD System Bus Specification, order# 21902.

3 Logic Symbol Diagram

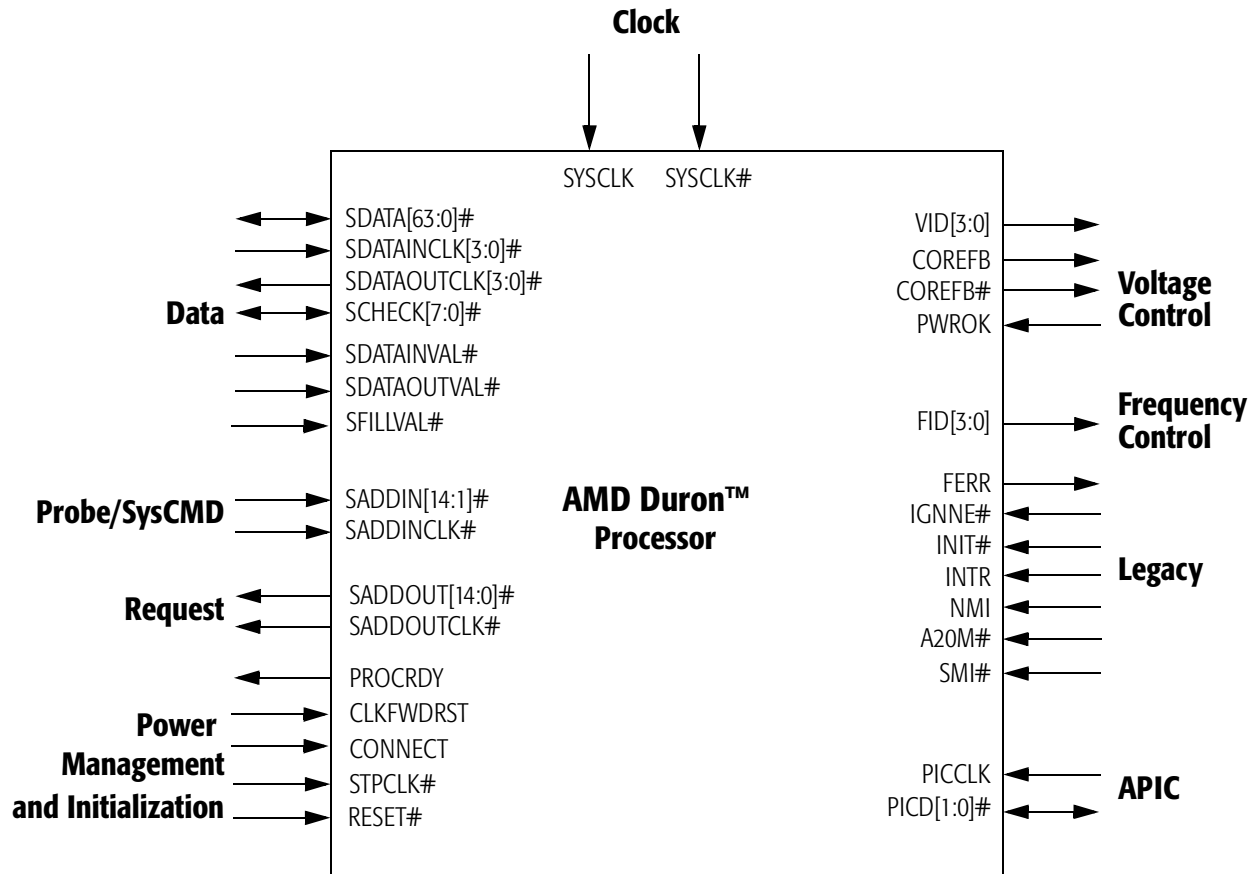
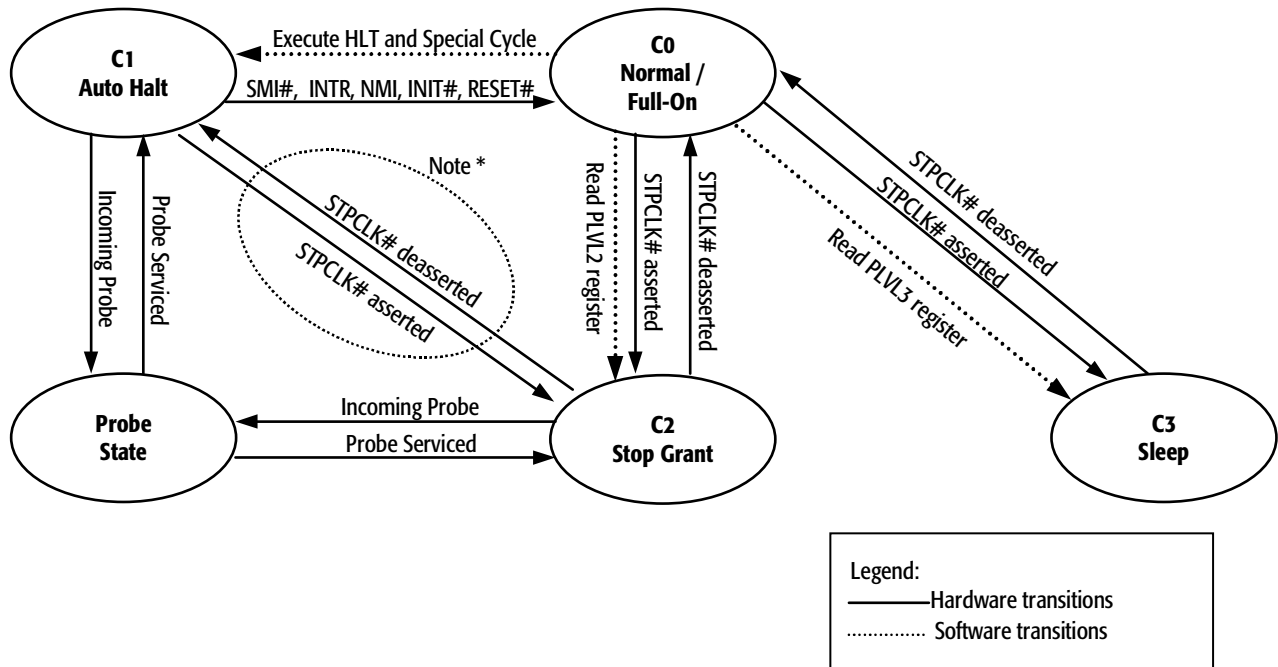


Figure 2. Logic Symbol Diagram

4 Power Management

4.1 Power Management States

The AMD Duron™ processor uses multiple advanced power states to place the processor in reduced power modes. These power states are used to enhance processor performance, minimize power dissipation, and provide a balance between performance and power (see “Power Dissipation” on page 22 for more information). In addition, these power states conform to the industry-standard Advanced Configuration and Power Interface (ACPI) requirements for processor power states. (ACPI is a specification for system hardware and software to support OS-oriented power management.) Each state has a specific mechanism that allows the processor to enter the respective state. Figure 3 shows the power management states of the AMD Duron processor. The figure includes the ACPI power states for the processor, labeled as Cx.



Note: The C1 to C2 transition by way of the STPCLK# assertion/deassertion is not defined for ACPI-compliant systems.

Figure 3. AMD Duron™ Processor Power Management States

The following sections describe each of the low-power states.

Note: In all power management states, the system must not disable the system clock (SYSCLK/SYSCLK#) to the processor.

Full-On

The Full-on or normal state refers to the default power state and means that all functional units are operating at full processor clock speed.

Halt State

When the AMD Duron processor executes the HLT instruction, the processor issues a Halt special cycle to the system bus. The phase-lock loop (PLL) continues to run, enabling the processor to monitor bus activity and provide a quick resume from the Halt state. The processor may enter a lower power state.

The Halt state is exited when the processor samples INIT#, INTR (if interrupts are enabled), NMI, RESET#, or SMI#.

Stop Grant and Sleep States

After recognizing the assertion of STPCLK#, the AMD Duron processor completes all pending and in-progress bus cycles and acknowledges the STPCLK# assertion by issuing a Stop Grant special bus cycle to the system bus. The processor may enter a lower power state.

From a software standpoint, the Sleep/Stop Grant state is entered by reading the PLVL registers located in an ACPI-compliant peripheral bus controller. The difference between the Stop Grant state and the Sleep state is determined by which PLVL register software reads from the peripheral bus controller. If the software reads the PLVL_2 register, the processor enters the Stop Grant state. In this state, probes are allowed, as shown in Figure 3 on page 9. If the software reads the PLVL_3 register, the processor enters the Sleep state, where probes are not allowed. This action is accomplished by disabling snoops within an ACPI-compliant system controller.

The Sleep/Stop Grant state is exited upon the deassertion of STPCLK# or the assertion of RESET#. After the processor enters the Full-on state, it resumes execution at the instruction boundary where STPCLK# was initially recognized.

The processor latches INIT#, INTR (if interrupts are enabled), NMI, and SMI#, if they are asserted during the Stop Grant or Sleep state. However, the processor does not exit this state until the deassertion of STPCLK#. When STPCLK# is deasserted,

any pending interrupts are recognized after returning to the Normal state.

If RESET# is sampled asserted during the Stop Grant or Sleep state, the processor immediately returns to the Full-on state and the reset process begins.

Probe State

The Probe state is entered when the system requires the processor to service a probe. When in the Probe state, the processor responds to a probe cycle in the same manner as when it is in the Full-on state.

When the probe has been serviced, the processor returns to the same state as when it entered the Probe state.

4.2 Connection and Disconnection Protocol

The AMD Duron processor enhances power savings in each of the power management states when the system logic disconnects the processor from the system bus and slows down the internal clocks. Entering the lowest power state is accomplished with a connection protocol between the processor and system logic. The system can initiate a bus disconnection upon the receipt of a Stop Grant special cycle. If required by the system, the processor disconnects from the system bus and slows down its internal clocks before entering the Stop Grant or Sleep state. If the system requires the processor to service a probe while it is in the Stop Grant state, it must first request that the processor increase its clocks to full speed and reconnect to the system bus. Table 1 on page 12 describes the AMD Duron processor power states using the connection protocol as described on page 12.

AMD system bus connections and disconnections are controlled by an enable bit within the system controller.

Table 1. AMD Duron™ Processor Power Management States

State Name	Entered	Exited
Full-On / Normal	This is the full-on running state of the processor	Initiates either a Halt instruction or STPCLK# assertion.
Halt	Execution of the Halt instruction. A special cycle is issued. The processor may enter a lower power state.	The processor exits and returns to the Run state upon the occurrence of INIT#, INTR, NMI, SMI# or RESET#. The processor transitions to the Stop Grant state if STPCLK# is asserted and returns to the Halt state upon STPCLK# deassertion.
Stop Grant	The processor transitions to the Stop Grant state with the assertion of STPCLK# (as a result of a read to the PLVL_2 register). A Stop Grant special cycle is issued. The processor may enter a lower power state. Note: While in this state, interrupts are latched and serviced when the processor transitions to the Full-on state.	The processor transitions to the Full-on or Halt state upon STPCLK# deassertion. RESET# asserted initializes the processor but, if STPCLK# is asserted, the processor returns to the Stop Grant state.
Probe	A transition to the Probe state occurs when the system asserts CONNECT. The processor remains in this state until the probe is serviced and any data is transferred.	The processor returns to the Halt or Stop Grant state when the probe has been serviced and the system deasserts CONNECT. If the processor was disconnected from the bus in the previous state, bus disconnection occurs and the internal frequency of the processor is again slowed down.
Sleep	The processor can enter its lowest power state, Sleep, from the Full-on state with the assertion of STPCLK# (as a result of a read to the PLVL_3 register). Note: While in this state, interrupts are latched and serviced when the processor transitions to the Full-on state.	The processor transitions to the Run state upon STPCLK# deassertion. Asserting RESET# initializes the processor but, if STPCLK# is asserted, the processor returns to the Sleep state.

Connection Protocol

In addition to the legacy STPCLK# signal and the Halt and Stop Grant special cycles, the AMD system bus connection protocol includes the CONNECT, PROCRDY, and CLKFWDRST signals and a *Connect* special cycle.

AMD system bus disconnects are initiated by the system controller in response to the receipt of a Stop Grant special cycle. Reconnections are initiated by the processor in response to an interrupt or STPCLK# deassertion, or by the system to service a probe.

A disconnect request is implicit, if enabled, in the processor Stop Grant special cycle request. It is expected that the system

controller provides a BIOS-programmable register in which it can disconnect the processor from the AMD system bus upon the occurrence of a Stop Grant special cycle. The system receives the special cycle request from the processor and, if there are no outstanding probes or data movements, the system deasserts CONNECT to the processor. The processor detects the deassertion of CONNECT on a rising edge of SYSCLK, and deasserts PROCRDY to the system. In return, the system asserts CLKFWRST in anticipation of reestablishing a connection at some later point.

Note: The system must disconnect the processor from the AMD system bus before issuing the Stop Grant special cycle to the PCI bus.

The processor can receive an interrupt or STPCLK# deassertion after it sends a Stop Grant special cycle to the system but before the disconnection actually occurs. In this case, the processor sends the Connect special cycle to the system, rather than continuing with the disconnect sequence. The system cancels the disconnection. Figure 4 shows the sequence of events from a system perspective, which leads to disconnecting the processor from the AMD system bus and placing the processor in the Stop Grant state.

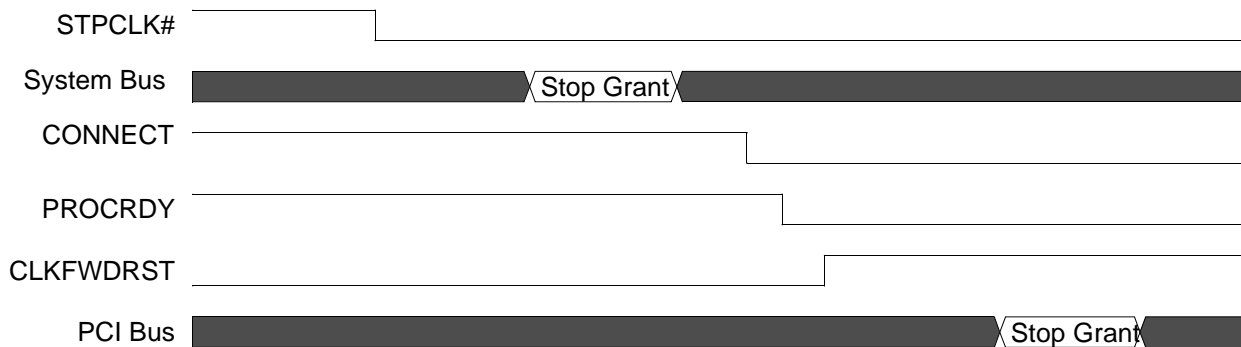


Figure 4. Example System Bus Disconnection Sequence

The following sequence of events describes how the processor is placed in the Stop Grant state when bus disconnection is enabled within the system controller:

1. The peripheral controller asserts STPCLK# to place the processor in the Stop Grant state.
2. When the processor receives STPCLK#, it acknowledges the system by sending out a Stop Grant special bus cycle on the AMD system bus.

3. When the special cycle is received by the system controller, the system controller deasserts CONNECT, initiating a bus disconnect to the processor.
4. The processor replies to the system controller by deasserting PROCRDY, approving the bus disconnect request.
5. The system controller asserts CLKFWRST to complete the bus disconnection sequence.
6. After the processor is disconnected from the bus, the system controller passes the Stop Grant special cycle along to the peripheral controller via the PCI bus, notifying it that the processor is in the Stop Grant state.

Figure 5 shows the signal sequence of events that take the processor out of the Stop Grant state, reconnect the processor to the AMD system bus, and put the processor into the Full-on state.

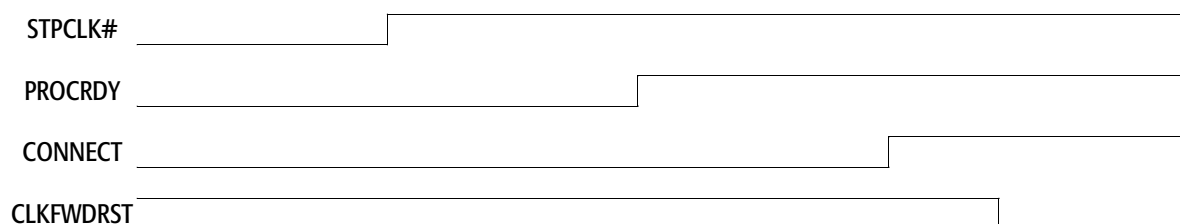


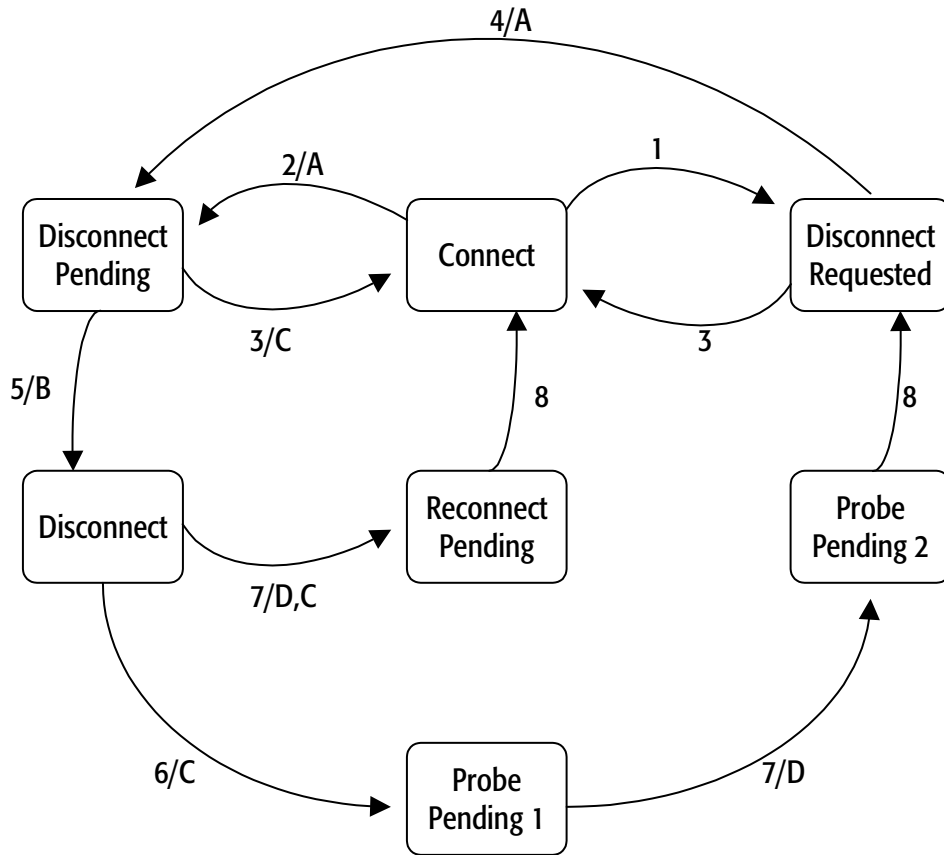
Figure 5. Exiting Stop Grant State/Bus Reconnection Sequence

The following sequence of events removes the processor from the Stop Grant state and reconnects it to the AMD system bus:

1. The peripheral controller deasserts STPCLK#, informing the processor of a wake event.
2. When the processor receives STPCLK#, it asserts PROCRDY, notifying the system controller to reconnect to the bus.
3. The system controller asserts CONNECT, telling the processor that it is connected to the AMD system bus.
4. The system controller finally deasserts CLKFWRST, which synchronizes the forwarded clocks between the processor and the system controller.

Connection State Machines

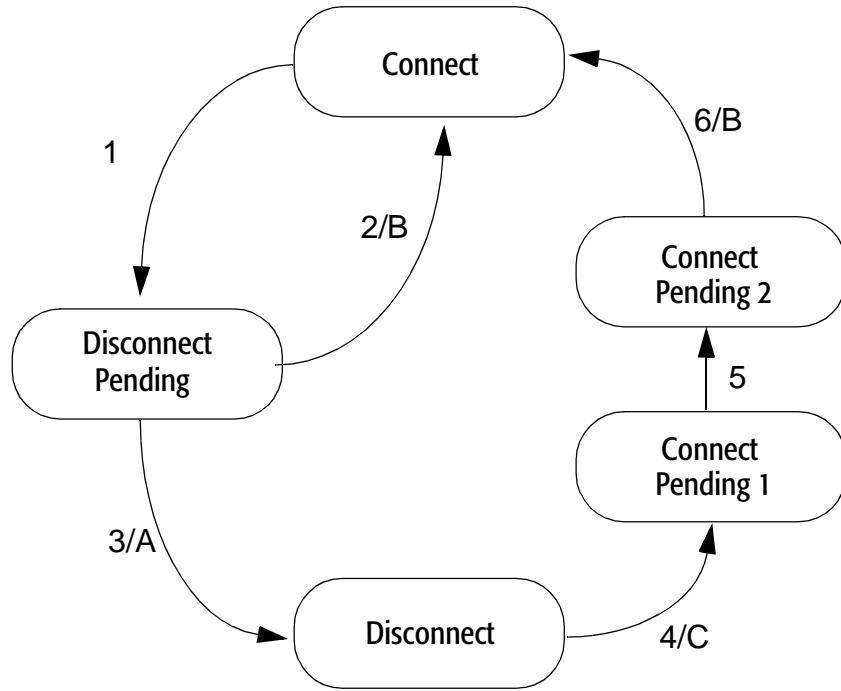
Figure 6 and Figure 7 describe the system and processor connection state machines, respectively.



	Condition
1	A disconnect is requested and probes are still pending
2	A disconnect is requested and no probes are pending
3	A CONNECT special cycle from the processor
4	No probes are pending
5	PROCRDY is deasserted
6	A probe needs service
7	PROCRDY is asserted
8	3 SYSCLK periods after CLKFWRST is deasserted. <i>Although reconnected to the system interface, the system must not issue any non-NOP SysDC commands for a minimum of four SYSCLK periods after deasserting CLKFWRST.</i>

	Action
A	Deassert CONNECT 8 SYSCLK periods after last probe/command sent
B	Assert CLKFWRST
C	Assert CONNECT
D	Deassert CLKFWRST

Figure 6. System Connection States



	Condition
1	CONNECT is deasserted by the system (for a previously sent Halt or Stop Grant special cycle).
2	Processor receives a wake-up event and must cancel the disconnect request.
3	Deassert PROCRDY and slow down internal clocks.
4	Processor wake-up event or CONNECT asserted by system.
5	CLKFWRST is deasserted by the system
6	Forward clocks start 3 SYSCLK periods after CLKFWRST is deasserted.

	Action
A	CLKFWRST is asserted by the system.
B	Issue a CONNECT special cycle.
C	Assert PROCRDY and return internal clocks to full speed

Figure 7. Processor Connection States

5 Thermal Design

For information about thermal design, including layout and airflow considerations, see the *AMD Thermal, Mechanical, and Chassis Cooling Design Guide*, order# 23794 and the cooling guidelines on www.amd.com.

6 Electrical Data

The electrical data in this chapter is presented separately for each signal group. Table 2 defines each group and the signals contained in each group.

Table 2. AMD Duron™ Processor Interface Signal Groupings

Signal Group	Signals	Notes
Power	VID[4:0], VCC_CORE, VCCA	See "Voltage Identification (VID[4:0])" on page 20 and "VID[4:0] Pins" on page 63.
Frequency	FID[3:0]	See "Frequency Identification (FID[3:0])" on page 20 and "FID[3:0] Pins" on page 60.
System Clocks	SYSCLK, SYSCLK# (Tied to CLKIN/CLKIN# and RSTCLK/RSTCLK#)	See "SYSCLK and SYSCLK# AC and DC Characteristics" on page 23.
System Bus	SADDIN[14:2]#, SADDOUT[14:2]#, SADDINCLK#, SADDOUTCLK#, SFILLVAL#, SDATAINVAL#, SDATAOUTVAL#, SDATA[63:0]#, SDATAINCLK[3:0]#, SDATAOUTCLK[3:0]#, SCHECK[7:0]#, CLKFWDRST, PROCRDY, CONNECT	See Table 11 on page 24 and Table 12 on page 26.
Southbridge	RESET#, INTR, NMI, SMI#, INIT#, A20M#, FERR, IGNNE#, STPCLK#, FLUSH#	See Table 13 on page 27.
APIC	PICD[1:0]#, PICCLK	See Table 14 on page 29.

6.1 Voltage Identification (VID[4:0])

Table 3 shows the VID[4:0] AC and DC characteristics. For more information, see “VID[4:0] Pins” on page 63.

Table 3. VID[4:0] AC and DC Characteristics

Parameter	Description	Min	Max
I _{OL}	Output Current Low		TBD
V _{OH}	Output High Voltage		2.5V*
Note: * The VID pins should not be pulled above this voltage by an external pullup resistor.			

6.2 Frequency Identification (FID[3:0])

Table 4 shows the FID[3:0] AC and DC characteristics. For more information, see “FID[3:0] Pins” on page 60.

Table 4. FID[3:0] AC and DC Characteristics

Parameter	Description	Min	Max
I _{OL}	Output Current Low		TBD
V _{OH}	Output High Voltage		2.5V*
Note: * The FID pins should not be pulled above this voltage by an external pullup resistor.			

6.3 SYSCLK and SYSCLK#

Table 5 shows the SYSCLK/SYSCLK# AC and DC characteristics. For more information, see “SYSCLK and SYSCLK# AC and DC Characteristics” on page 23.

Table 5. SYSCLK/SYSCLK# AC and DC Characteristics

Parameter	Description	Min	Max
Frequency*	Operating Frequency	5	100MHz
Duty Cycle	Duty Cycle	30	70%
Capacitance	Capacitance	4	12 pF
Note: * Normal operating frequency is 100MHz.			

6.4 VCCA AC and DC Characteristics

Table 6 shows the AC and DC characteristics for VCCA. For more information, see “VCCA Pin” on page 63.

Table 6. VCCA AC and DC Characteristics

Symbol	Parameter	Condition	Min	Max	Units
V_{VCCA}	VCCA Pin Voltage (DC)		2.25	2.75	V
I_{VCCA}	VCCA Pin Current		0	50	mA
$V_{VCCA-NOISE}$	VCCA Pin Voltage (AC)		-100	+100	mV

6.5 Decoupling

See the *Motherboard PGA Design Guide*, order# 90009, or contact your local AMD office for information about the decoupling required on the motherboard for use with the AMD Duron™ processor.

6.6 Operating Ranges

The AMD Duron processor is designed to provide functional operation if the voltage and temperature parameters are within the limits defined in Table 7.

Table 7. Operating Ranges

Parameter	Description	Min	Nominal	Max	Notes	
VCC_CORE	Processor core supply	550–700 MHz	1.4 V	1.5 V	1.6 V	1
VCC_CORE _{SLEEP}	Processor core supply in Sleep state		1.2 V	1.3 V	1.4 V	2
T _{DIE}	Temperature of processor die			90° C		

Notes:

- For normal operating conditions (nominal VCC_CORE is 1.5 V)
- For Sleep state operating conditions

6.7 Absolute Ratings

The AMD Duron processor should not be subjected to conditions exceeding the absolute ratings listed in Table 8, as such conditions may adversely affect long term reliability or result in functional damage.

Table 8. Absolute Ratings

Parameter	Description	Min	Max
VCC_CORE	AMD Duron™ processor core supply	-0.5 V	nominal + 0.5 V
VCCA	AMD Duron™ processor PLL Supply	-0.5 V	nominal + 0.5 V
V _{PIN}	Voltage on any signal pin	-0.5 V	nominal + 0.5 V
T _{STORAGE}	Storage temperature of processor	-40° C	85° C

6.8 Power Dissipation

Table 9 shows the power and current of the processor during normal and reduced power states.

Table 9. VCC_CORE Power and Current

Frequency (MHz)	Maximum Thermal Power	Typical Thermal Power	Stop Grant (Maximum) ¹	Maximum I _{CC} (Power Supply Current) ²
550	21.1 W	18.9 W	5 W	15.8 A
600	22.7 W	20.4 W	5 W	17.0 A
650	24.3 W	21.8 W	5 W	18.2 A
700	25.5 W	22.9 W	5 W	19.2 A

Notes:

1. Measured at 1.3V for Sleep state operating conditions
2. Measured at 1.5V nominal

6.9 SYCLK and SYCLK# AC and DC Characteristics

Table 10 shows the AC and DC characteristics of the SYCLK and SYCLK# differential clocks. The SYCLK signal represents CLKIN and RSTCLK tied together while the SYCLK# signal represents CLKIN# and RSTCLK# tied together. The signals must cross between $V_{CC_CORE}/2 \pm 100\text{mV}$. Figure 8 shows this condition.

Table 10. SYCLK and SYCLK# AC and DC Characteristics

Symbol	Condition	Measurement
$V_{\text{Threshold-DC}}$	Crossing before transition is detected (DC)	400 mV
$V_{\text{Threshold-AC}}$	Crossing before transition is detected (AC)	450 mV
$I_{\text{LEAK_P}}$	Leakage Current through P-channel Pullup to V_{CC_CORE}	1 mA
$I_{\text{LEAK_N}}$	Leakage Current through N-channel Pulldown to V_{SS} (Ground)	1 mA

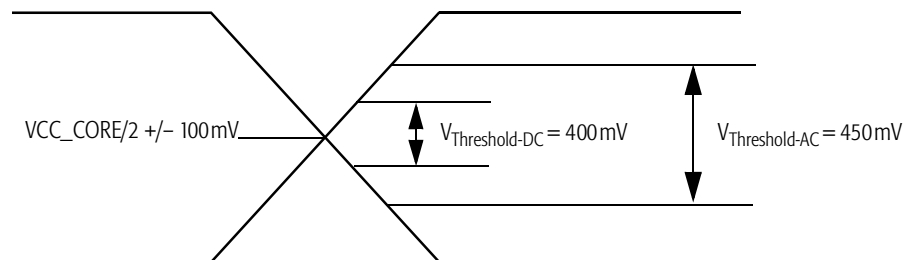


Figure 8. SYCLK and SYCLK# Differential Clock Signals

6.10 AMD System Bus AC/DC Characteristics

Table 11 shows the AC/DC characteristics of the AMD system bus used by the AMD Duron processor.

Table 11. AMD System Bus AC/DC Characteristics

Symbol	Parameter	Condition	Min	Max	Units	Notes
V_{REF}	DC Input Reference Voltage		$(0.5 * VCC_CORE) - 50$	$(0.5 * VCC_CORE) + 50$	mV	1
I_{VREF}	V_{REF} Input Pin Current	V_{REF}	-100	+100	μA	2
$I_{VREF_LEAK_P}$	V_{REF} Tristate Leakage Pullup	V_{REF}	-100		μA	2, 5
$I_{VREF_LEAK_N}$	V_{REF} Tristate Leakage Pulldown	V_{REF}		+100	μA	2, 6
V_{IH-DC}	DC Input High Voltage		$V_{REF} + 200$	$VCC_CORE + 300$	mV	
V_{IL-DC}	DC Input Low Voltage		-300	$V_{REF} - 200$	mV	
V_{IH-AC}	AC Input High Voltage		$V_{REF} + 200$	$VCC_CORE + 500$	mV	
V_{IL-AC}	AC Input Low Voltage		-500	$V_{REF} - 200$	mV	
V_{OH-DC}	DC Output High Voltage		$0.85 * VCC_CORE$	$VCC_CORE + 300$	mV	3, 7
V_{OL-DC}	DC Output Low Voltage		-300	$0.15 * VCC_CORE$	mV	3, 8
I_{OH-AC}	AC Output Current High		See "Push-Pull Mode IV Curves" on page 25			
I_{OL-AC}	AC Output Current Low		See "Push-Pull Mode IV Curves" on page 25			
I_{LEAK_P}	Tristate Leakage Pullup		-1		mA	5
I_{LEAK_N}	Tristate Leakage Pulldown			+1	mA	6
I_{IH}	Input High Current	$V_{IN} = V_{IH-DC-MIN}$	-1	+1	mA	
I_{IL}	Input Low Current	$V_{IN} = V_{IL-DC-MAX}$	-1	+1	mA	
C_{IN}	Input Pin Capacitance		4	12	pF	4

Notes:

1. V_{REF} :
 - V_{REF} is nominally set by a (1%) resistor divider from VCC_CORE .
 - The suggested divider resistor values are 100 ohms over 100 ohms to produce a divisor of 0.50.
 - Example: $VCC_CORE = 1.5V$, $V_{REF} = 750mV$ ($1.5 * 0.50$). (Processor pin SysVrefMode = Low)
 - Peak-to-Peak AC noise on V_{REF} (AC) should not exceed 2% of V_{REF} (DC).
2. I_{VREF} should be measured at nominal V_{REF} .
3. Specified at $T = 90^{\circ}C$ and VCC_CORE
4. The following processor inputs have twice the listed capacitance because they connect to two input pads— $SYSCLK$, and $SYSCLK\#$. $SYSCLK$ connects to $CLKIN/RSTCLK$. $SYSCLK\#$ connects to $CLKIN\#/RSTCLK\#$.
5. Leakage through the P-channel pullup resistor to VCC_CORE
6. Leakage through the N-channel pulldown resistor to VSS (Ground)
7. V_{OH-DC} is measured at $I_{OUT} = -200\mu A$
8. V_{OL-DC} is measured at $I_{OUT} = 1mA$

Push-Pull Mode IV Curves

Figure 9 and Figure 10 on page 25 show the push-pull mode pulldown and pullup curves, respectively. See Table 11 on page 24 for more information.

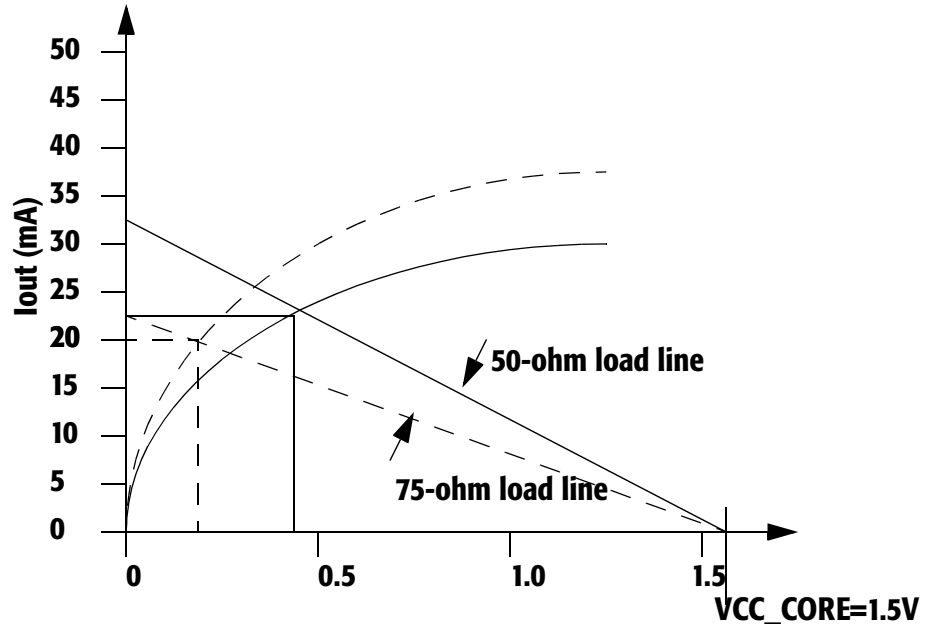


Figure 9. PP Mode Pulldown IV Curve

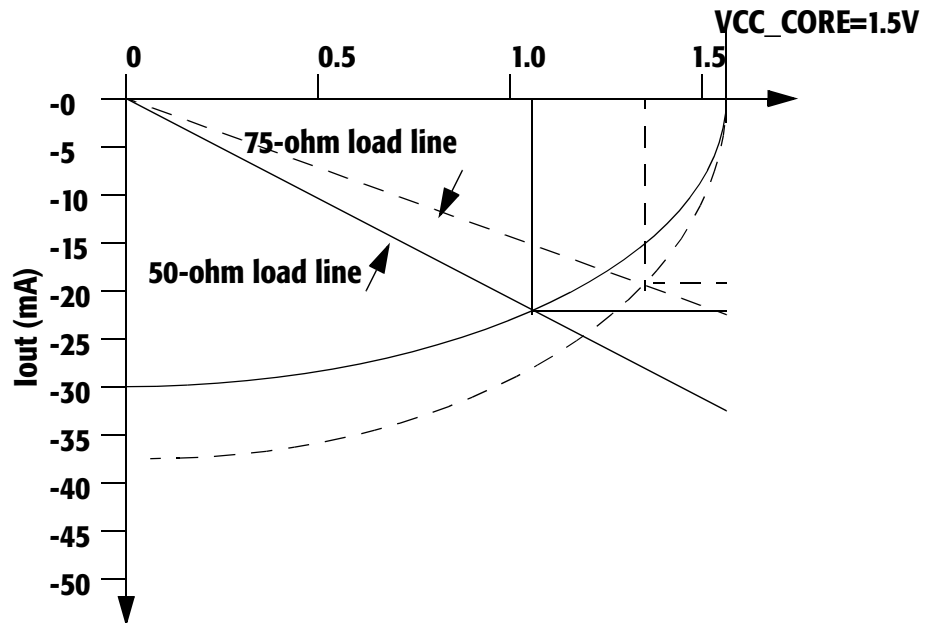


Figure 10. PP Mode Pullup IV Curve

6.11 System Bus AC Characteristics

The AC characteristics of the AMD Duron processor system bus are shown in Table 12. The parameters are grouped based on the source or destination of the signals involved.

Table 12. System Bus AC Characteristics

Group	Symbol	Parameter	Min	Max	Units	Notes
All Signals	T_{RISE}	Output Rise Slew Rate	1	3	V/ns	1
	T_{FALL}	Output Fall Slew Rate	1	3	V/ns	1
Forward Clocks	$T_{SKEW-SAMEEDGE}$	Output skew with respect to the same clock edge		385	ps	2
	$T_{SKEW-DIFFEDGE}$	Output skew with respect to a different clock edge		770	ps	2
	T_{SU}	Input Data Setup Time	300		ps	3
	T_{HD}	Input Data Hold Time	300		ps	3
	C_{IN}	Capacitance on input Clocks	4	12	pF	
	C_{OUT}	Capacitance on output Clocks	4	12	pF	
Sync *4	T_{VAL}	RSTCLK to Output Valid	250	2000	ps	5
	T_{SU}	Setup to RSTCLK	500		ps	6
	T_{HD}	Hold from RSTCLK	1000		ps	6

Notes:

- Rise and fall time ranges are guidelines over which the I/O has been characterized.
- $T_{K7-SKEW-SAMEEDGE}$ is the maximum skew within a clock forwarded group between any two signals or between any signal and its forward clock, as measured at the package, with respect to the same clock edge.
 $T_{K7-SKEW-DIFFEDGE}$ is the maximum skew within a clock forwarded group between any two signals or between any signal and its forward clock, as measured at the package, with respect to different clock edges.
- Input SU and HD times are with respect to the appropriate Clock Forward Group input clock.
- The synchronous signals include *PROCRDY*, *CONNECT*, *CLKFWRDST*.
- T_{VAL} is RSTCLK rising edge to output valid for *PROCRDY*. Test Load—25pf.
- T_{SU} is setup of *CONNECT/CLKFWRDST* to rising edge of RSTCLK. T_{HD} is hold of *CONNECT/CLKFWRDST* from rising edge of RSTCLK.

6.12 Southbridge AC and DC Characteristics

Table 13 shows the AC and DC characteristics of the AMD Duron processor Southbridge pins.

Table 13. Southbridge AC and DC Characteristics*

Symbol	Parameter Description	Min	Nominal	Max	Units	Notes
V _{IH}	Input High Voltage	(VCC_CORE/2) + 250mV		VCC_CORE Max	V	1, 2
V _{IL}	Input Low Voltage	-300		400	mV	1, 2
Delta V _{RB}	Hysteresis change in V _{Ix}	180		250	mV	
V _{OH}	Output High Voltage	VCC_CORE - 400		VCC_CORE + 300	mV	
V _{OL}	Output Low Voltage	-300		400	mV	
I _{LEAK_P}	Tristate Leakage Pullup	-1			mA	15
I _{LEAK_N}	Tristate Leakage Pulldown			600	μA	16
I _{IH}	Input High Current	-0.6		1	mA	
I _{IL}	Input Low Current	-0.6		1	mA	
I _{OH}	Output High Current			-3	mA	4
I _{OL}	Output Low Current	3			mA	4
T _{SU}	Sync Input Setup Time	2.0			nS	5, 6
T _{HD}	Sync Input Hold Time	0.0			pS	5, 6

Notes:

- * These parameters pertain to the Southbridge signals listed in Table 2 on page 19. These parameters were not characterized at VCC_CORE_SLEEP
- 1. Characterized across DC supply voltage range.
- 2. Values specified at nominal VCC_CORE. Scale parameters between VCC_CORE Min and VCC_CORE Max.
- 3. Hysteresis values refer to the difference between initial and return switching points.
- 4. I_{OL} and I_{OH} are measured at V_{OL} max and V_{OH} min, respectively.
- 5. Synchronous inputs/outputs are specified with respect to RSTCLK and RSTCK# at the pins.
- 6. These are aggregate numbers. The specific pins vary widely within this window.
- 7. Edge rates indicate the range over which inputs were characterized.
- 8. In asynchronous operation, the signal must persist for this time to guarantee capture.
- 9. This value assumes RSTCLK frequency is 10ns => TBIT = 2*FRST.
- 10. The approximate value for standard case in normal mode operation.
- 11. This value is dependent on RSTCLK frequency, divisors, LowPower mode, and core frequency.
- 12. Reassertions of the signal within this time are not guaranteed to be seen by the core.
- 13. This value assumes that the skew between RSTCLK and K7CLKOUT is much less than one phase.
- 14. This value assumes RSTCLK and K7CLKOUT are running at the same frequency, though the processor is capable of other configurations.
- 15. Leakage through the P-channel pullup resistor to VCC_CORE
- 16. Leakage through the N-channel pulldown resistor to VSS (Ground)

Table 13. Southbridge AC and DC Characteristics* (continued)

Symbol	Parameter Description	Min	Nominal	Max	Units	Notes
T _{DELAY}	Output Delay with respect to RSTCLK	0.0		6.1	nS	6
T _{BIT}	Input Time to Acquire	20.0			nS	8,9
T _{RPT}	Input Time to Reacquire	40.0			nS	10–14
V _{IN}	DC Input Voltage	–300		VCC_CORE + 300	mV	
T _{RISE}	Signal Rise Time	1.0		3.0	V/nS	7
T _{FALL}	Signal Fall Time	1.0		3.0	V/nS	7
C _{PIN}	Pin Capacitance	4		12	pF	

Notes:

- * These parameters pertain to the Southbridge signals listed in Table 2 on page 19. These parameters were not characterized at VCC_CORE_{SLEEP}
1. Characterized across DC supply voltage range.
 2. Values specified at nominal VCC_CORE. Scale parameters between VCC_CORE Min and VCC_CORE Max.
 3. Hysteresis values refer to the difference between initial and return switching points.
 4. I_{OL} and I_{OH} are measured at V_{OL} max and V_{OH} min, respectively.
 5. Synchronous inputs/outputs are specified with respect to RSTCLK and RSTCK# at the pins.
 6. These are aggregate numbers. The specific pins vary widely within this window.
 7. Edge rates indicate the range over which inputs were characterized.
 8. In asynchronous operation, the signal must persist for this time to guarantee capture.
 9. This value assumes RSTCLK frequency is 10ns \implies T_{BIT} = 2*f_{RST}.
 10. The approximate value for standard case in normal mode operation.
 11. This value is dependent on RSTCLK frequency, divisors, LowPower mode, and core frequency.
 12. Reassertions of the signal within this time are not guaranteed to be seen by the core.
 13. This value assumes that the skew between RSTCLK and K7CLKOUT is much less than one phase.
 14. This value assumes RSTCLK and K7CLKOUT are running at the same frequency, though the processor is capable of other configurations.
 15. Leakage through the P-channel pullup resistor to VCC_CORE
 16. Leakage through the N-channel pulldown resistor to VSS (Ground)

6.13 APIC Pin AC and DC Characteristics

Table 14 shows the AC and DC characteristics of the AMD Duron processor APIC pins.

Table 14. APIC Pin AC and DC Characteristics

Symbol	Parameter Description	Min	Nominal	Max	Units	Notes
V _{IH}	Input High Voltage	1.7		2.625	V	1,3
V _{IL}	Input Low Voltage	-300		700	mV	1,2
V _{OH}	Output High Voltage			2.625	V	3
V _{OL}	Output Low Voltage	-300		400	mV	
I _{LEAK_P}	Tristate Leakage Pullup	-1			mA	6
I _{LEAK_N}	Tristate Leakage Pulldown			600	μA	7
I _{IH}	Input High Current	-1		1	mA	
I _{IL}	Input Low Current	-1		1	mA	
I _{OL}	Output Low Current	27			mA	4
T _{RISE}	Signal Rise Time	1.0		3.0	V/nS	5
T _{FALL}	Signal Fall Time	1.0		3.0	V/nS	5
C _{PIN}	Pin Capacitance	4		12	pF	

Notes:

1. Characterized across DC supply voltage range
2. Values specified at nominal VDD (1.5V). Scale parameters with VDD
3. 2.625V = 2.5V + 5% maximum
4. I_{OL} is measured at V_{OL} max
5. Edge rates indicate the range over which inputs were characterized
6. Leakage through the P-channel pullup resistor to VCC_CORE
7. Leakage through the N-channel pulldown resistor to VSS (Ground)

7 Signal and Power-Up Requirements

This chapter describes the AMD Duron™ processor power-up requirements during system turn-on and warm resets. These requirements can be adhered to with minor motherboard modifications or the usage of a recommended system power supply (silver box) for the specific motherboard. This information is applicable to all current Socket A motherboards.

7.1 Power-Up Requirements

Signal Sequence and Timing Description

The AMD Duron processor requires that the system clocks (SYSCLK/SYSCLK#) to the processor be running prior to the assertion of PWROK. PWROK is an output of the voltage regulation circuit on the motherboard indicating that VCC_CORE is valid to the processor. Figure 11 on page 32 shows the relationship between key signals in the system during a power-up sequence. This figure details the requirements of the processor.

Note: Figure 11 represents several signals generically by using names not necessarily consistent with any pin lists or schematics.

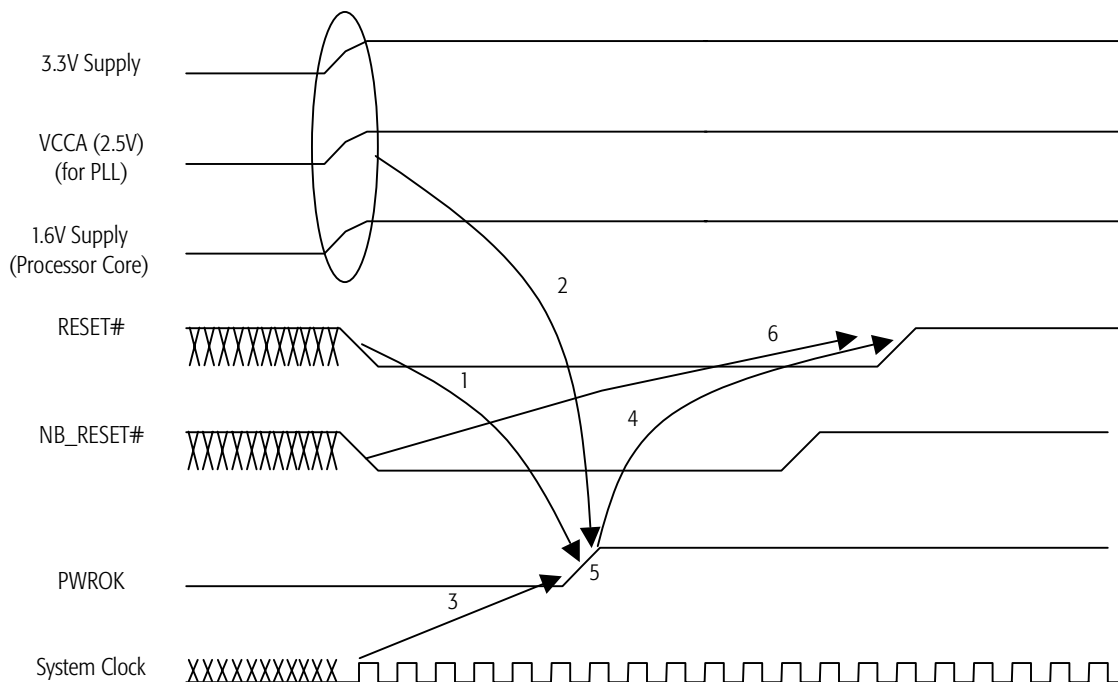


Figure 11. Signal Relationship Requirements during Power-Up Sequence

Required Sequence. Many Southbridges (peripheral controllers) assert RESET# and NB_RESET# (for example, PCIRST#) as soon as possible after receiving power. The system clock generator produces a clock soon after it has valid power (see the specific system clock data sheets for more information). Typically, they generate the system clocks **3ms** after receiving a valid power level (that is, 3.3V) from the motherboard. In addition, the motherboard must pull the open-drain system clocks (SYSCLK/SYSCLK#) to VCC_CORE. Because the AMD ATX Power Supply Specification requires 3.3V to be valid prior to VCC_CORE, the motherboard must assert PWROK only after a valid system clock is generated. To accommodate a variety of system parameters, it is recommended that PWROK should assert only after at least 3ms past a valid VCC CORE (a valid system clock).

When PWROK is asserted, the processor PLL turns on and begins to lock. After a specified period to ensure the PLL has locked, the reset signals can be deasserted.

Timing Requirements. The signal timing requirements are as follows:

1. RESET# must be asserted before PWROK is asserted

The AMD Duron processor does not set the correct clock multiplier if PWROK is asserted prior to a RESET# assertion. It is recommended that RESET# be asserted at least **10ns** prior to the assertion of PWROK.

2. All motherboard power supplies should be ramped before the assertion of PWROK.

The processor core voltage, VCC_CORE, should have a stable voltage (for example, 1.7V) as indicated by the Voltage ID (VID) prior to PWROK assertion. Before PWROK assertion, the AMD Duron processor is clocked by a ring oscillator. This minimum time is not specified.

The AMD Duron processor PLL is powered by VCCA. The processor PLL does not lock if VCCA is not high enough for the processor logic to switch for some period before PWROK is asserted. The recommended minimum time before PWROK assertion is **5 μ s**.

3. The system clock (SYSCLK/SYSCLK#) should be running before PWROK is asserted.

When PWROK is asserted, the AMD Duron processor switches from driving the internal processor clock grid from the ring oscillator to driving from the PLL. The reference system clock should be valid at this time. If it is not valid, the subsequent requirements may be undermined. It is recommended that PWROK be asserted **3ms** after the system clocks are running.

4. PWROK assertion to deassertion of RESET#

The duration of reset during cold boots is intended to satisfy the time it takes for the PLL to lock with a less than 1-ns phase error. The AMD Duron processor PLL begins to run after PWROK is asserted and the internal clock grid is switched from the ring oscillator to the PLL. The PLL lock time may take from hundreds of nanoseconds to tens of microseconds. It is recommended that the minimum time between PWROK assertion to the deassertion of RESET# be at least 1.5ms.

5. PWROK should be monotonic.

The processor should not switch between the ring oscillator and the PLL after the initial assertion of PWROK.

6. NB_RESET# should be asserted (causing CONNECT to also assert) before RESET# is deasserted.

If NB_RESET# does not assert until after RESET# has deasserted, the processor misinterprets the CONNECT assertion (due to NB_RESET# being asserted) as the beginning of the SIP transfer (See “Serial Initialization Packet (SIP) Protocol” on page 34). There must be sufficient overlap in the resets to ensure that CONNECT has a chance to be sampled asserted by the processor in advance of the processor coming out of reset.

Clock Multiplier Selection (FID[3:0])

When RESET# is deasserted, the processor selects the processor clock ratio (multiplier) by driving the FID[3:0] signals. The system samples the clock multiplier value from FID[3:0]. For more information, see “FID[3:0] Pins” on page 60.

The system samples the processor clock multiplier value and other system configuration information when RESET# deasserts, and uses this value to correctly initialize and configure the system bus. The system sends the processor its initialization state in a serial packet using the Serial Initialization Packet (SIP) protocol. This protocol uses the PROCRDY, CONNECT, and CLKFWDRST signals, which are synchronous to SYSCLK.

Serial Initialization Packet (SIP) Protocol. Figure 12 on page 35 shows the protocol for a typical SIP transfer to the processor after reset. Table 15 on page 35 describes the requirements for the SIP transfer from the system to the processor. Processors and Northbridges are designed to adhere to the following protocol and do not require motherboard intervention.

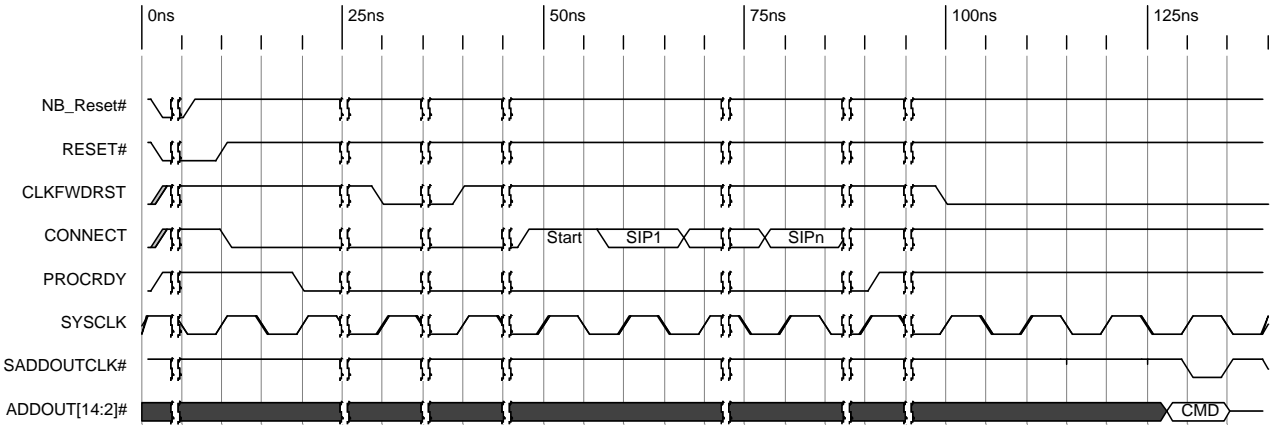


Figure 12. Typical SIP Protocol Sequence

Table 15. SIP Protocol States and Actions

State	Action
1	When NB_RESET# and RESET# are asserted, the system asserts CONNECT and CLKFWRST and the processor asserts PROCRDY.
2	When NB_RESET# is deasserted, the system deasserts CONNECT, but continues to assert CLKFWRST. When RESET# is deasserted, the processor deasserts PROCRDY and is ready for initialization (via the SIP Protocol). <i>Note: The system must be out of reset before the processor deasserts PROCRDY</i>
3	After one or more SYSCLK periods after the deassertion of PROCRDY, the system deasserts CLKFWRST. (States 3 & 4 are performed for AMD system bus legacy reasons)
4	After one or more SYSCLK periods after the deassertion of CLKFWRST, the system again asserts CLKFWRST
5	Either at the assertion of CLKFWRST or one or more SYSCLK periods later, the processor expects the <i>start</i> bit (CONNECT asserted) of the SIP. The system delivers the SIP containing the processor clock-forwarding initialization state over CONNECT as seen in Figure 12 on page 35. After the SIP is transferred, the system asserts and holds CONNECT. This indicates the end of the SIP transfer to the processor.
6	One or more SYSCLK periods after receiving the SIP, the processor asserts PROCRDY to indicate to the system that it has received the SIP, initialized itself, and is ready.
7	One or more SYSCLK periods after the assertion of PROCRDY, the system deasserts CLKFWRST.
8	Two SYSCLK periods after CLKFWRST is sampled deasserted, the processor drives its forward clocks.

7.2 Processor Warm Reset Requirements

The AMD Duron™ Processor and Northbridge Reset Pins

Warm resets differ from cold resets because the motherboard power supplies are already stable and the processor PLL is locked. Requirements differ for warm resets because the AMD Duron processor may be in a system sleep state when RESET# asserts.

Duration of RESET# As a Function Of Low Power Ratio. Although the processor PLL is already locked, the processor requires that RESET# be asserted for some period to ensure that PROCRDY can assert without glitching.

The AMD Duron processor clock grid is slowed down to a ratio of as little as 1/128th of its normal frequency. Therefore, it takes a corresponding length of time to assert PROCRDY. In addition, in order to avoid glitching PROCRDY, it is necessary to assert RESET# for a duration that the AMD Duron processor can synchronize RESET# into the processor clock domain.

Table 16 shows the minimum RESET# duration to ensure the proper PROCRDY pin behavior as a function of the low power ratio.

Table 16. RESET# Minimum Duration

Processor Version	Low Power Divisor (recommended)	RESET# Min assertion time
AMD Duron™ processor	128	2.5μs @100MHz SYSCLK

Assertion of RESET# to Deassertion of NB_RESET#. When the Northbridge exits reset, the processor must have PROCRDY asserted in response to the RESET# assertion or else the Northbridge may start the SIP transfer (because some Northbridges sample only for a Low PROCRDY level). This scenario implies a dependency from RESET#=0 to NB_RESET#=1:

8 Mechanical Data

8.1 Introduction

The AMD Duron™ processor connects to the motherboard through a PGA socket named Socket A. For more information, see the *Socket 462 Application Note*, order# 90020.

8.2 Pinout Diagram

The pin location designations for the Socket A connector are shown in Figure 13 on page 38. Voided (plugged) pin locations should have a base that accepts a contact, but the top plate of Socket A should *not* have pin openings. The *exceptions* are the two plugs on the outside corners, which should be permanently closed and not accommodate a contact. It is permissible, if necessary for manufacturing reasons, to place a contact in the base at plug sites (*except* for the two plugs on the outside corners). Socket A has 462 pin sites, with 11 plugs total. For more information, see Chapter 9, “Pin Descriptions” on page 43.

In addition, Figure 14 on page 38 and Figure 15 on page 39 show the Socket A package top view and side view, respectively. Table 17 on page 39 contains the measurements for the symbols used in Figures 13, 14, and 15.

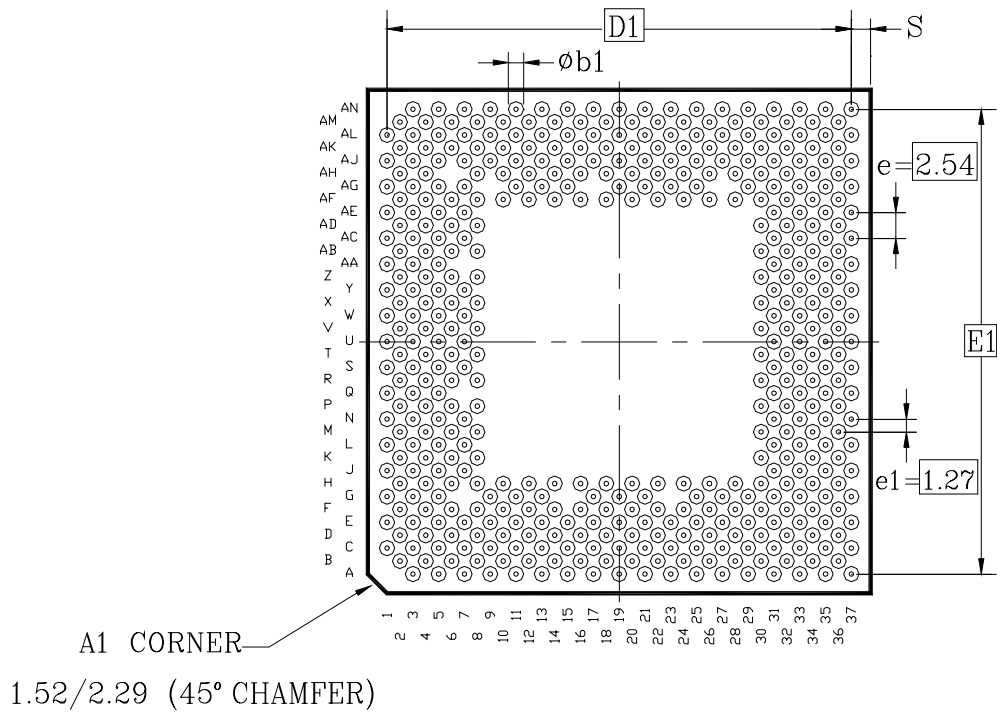


Figure 13. PGA Package, Bottom View

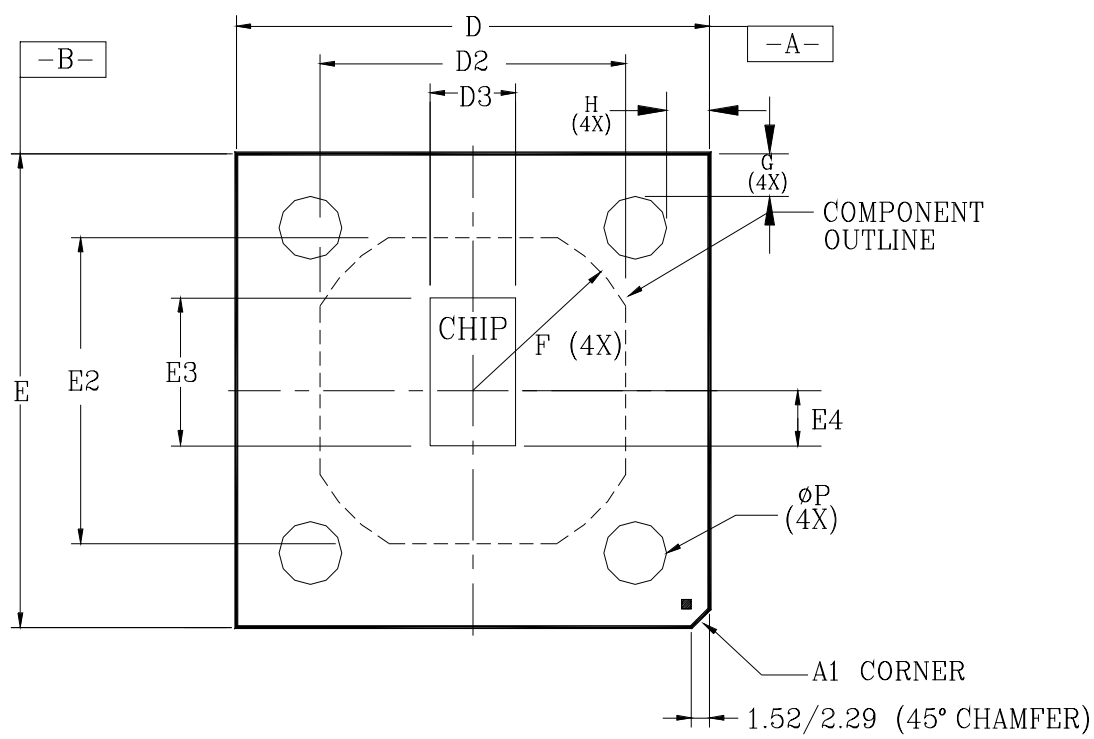


Figure 14. PGA Package, Top View

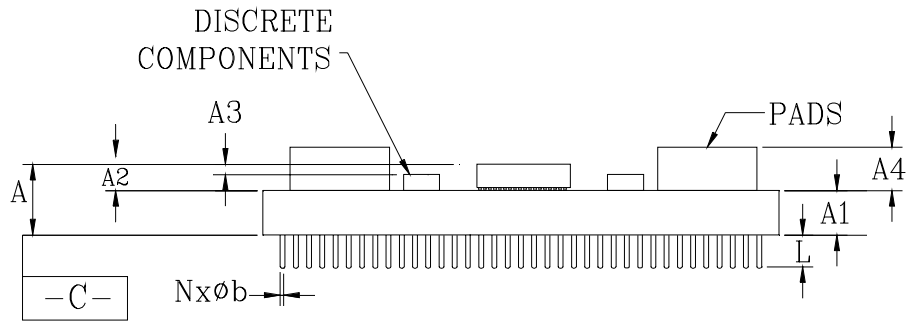


Figure 15. PGA Package, Side View

Table 17 shows the minimum and maximum measurements for the symbols used in Figure 13 on page 38, Figure 14 on page 38 and, Figure 15 on page 39. Measurements are in millimeters.

Table 17. Package Measurements

Symbol	Min.	Max.
A	2.07	2.42
A1	1.27	1.53
A2	0.80	0.88
A3	0.116	–
A4	–	1.90
D	49.27	49.78
D1	45.59	45.85
D2	–	39.20
D3	8.44	9.70
E	49.27	49.78
E1	45.59	45.85
E2	–	39.20
E3	10.60	16.60
E4	5.30	6.56
F	–	44.80
<i>Note: Measurements are in millimeters (mm)</i>		

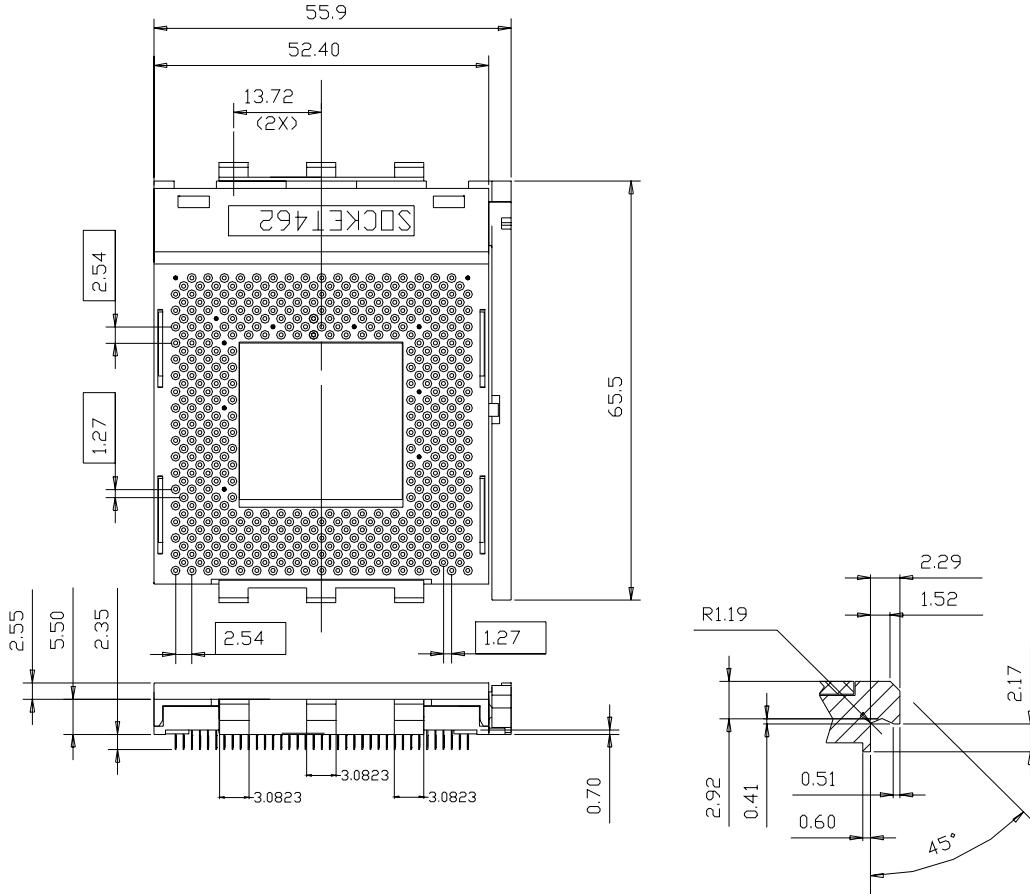
Table 17. Package Measurements (continued)

Symbol	Min.	Max.
G	–	4.50
H	–	4.50
S	1.52	2.54
L	3.05	3.31
$\phi\mathbf{b}$	0.43	0.50
$\phi\mathbf{b1}$	–	1.63
$\phi\mathbf{P}$	–	6.60

Note: Measurements are in millimeters (mm)

8.3 Socket Tabs for Heatsink Clips

Figure 16 shows the socket tab required on Socket A. These features are required to support a 300g heatsink.



Note: Measurements are in mm

Figure 16. Socket A with Outline of Socket and Heatsink Tab

9 Pin Descriptions

9.1 Introduction

Figure 17 on page 44 shows the staggered pin grid array (SPGA) for the AMD Duron™ processor. Because some of the pin names are too long to fit in the grid, they are abbreviated. Table 18 on page 45 lists all the pins in alphabetical order by pin name, along with the abbreviation where necessary.

	1	2	3	4	5	6	7	8	9	10	11	12	13	14	15	16	17	18	19	20	21	22	23	24	25	26	27	28	29	30	31	32	33	34	35	36	37		
A			SAO#12		SAO#5		SAO#3		SD#55		SD#61		SD#53		SD#63		SD#62		SK#7		SD#57		SD#39		SD#35		SD#34		SD#44		SK#5		SDOC#2		SD#40		SD#30	A	
B		VSS101		VCC100		VSS100		VCC99		VSS99		VCC98		VSS98		VCC97		VSS97		VCC96		VSS96		VCC95		VSS95		VCC94		VSS94		VCC92		VSS92		VCC91		SD#30	B
C		SAO#7		SAO#9		SAO#8		SAO#2		SD#54		SDOC#3		SK#6		SD#51		SD#60		SD#59		SD#56		SD#37		SD#47		SD#38		SD#45		SD#43		SD#42		SD#41		SDOC#1	C
D		VCC90		VCC89		VSS91		VCC88		VSS90		VCC87		VSS89		VCC86		VSS88		VCC85		VSS87		VCC84		VSS86		VCC82		VSS85		VCC81		VSS84		VSS83		SD#22	D
E		SAO#11		SAO-CLK#		SAO#4		SAO#6		SD#52		SD#50		SD#49		SDIC#3		SD#48		SD#58		SD#36		SD#46		SK#4		SDIC#2		SD#33		SD#32		SK#3		SD#31		SD#22	E
F		VSS81		VSS80		VSS79		NC59		VSS78		VCC80		VSS77		VCC79		VSS76		VCC78		VSS75		VCC77		VSS74		VCC76		NC58		VCC75		VCC74		VCC73		SD#21	F
G		SAO#10		SAO#14		SAO#13			KEY8		NC19		NC20			KEY6		NC		NC					KEY4		NC21		NC22		NC23		SD#20		SD#23		SD#21	G	
H		VCC71		VCC70		NC64		NC65		NC60		VCC1		VSS1		VCC2		VSS2		VCC3		VSS3		VCC4		VSS4		NC61		NC62		NC63		VSS73		VSS72		SD#20	H
J		SAO#0		SAO#1		NC25		VID(4)																						NC24		SD#19		SDIC#1		SD#29	J		
K		VSS70		VSS69		VSS68		NC67																					NC66		VCC69		VCC68		VCC67		SD#28	K	
L		VID(0)		VID(1)		VID(2)		VID(3)																					NC27		SD#26		SK#2		SD#28		SD#28	L	
M		VCC66		VCC64		VCC65		VCC5																					VSS5		VSS67		VSS66		VSS65		SD#18	M	
N		PICCLK		PICD#0		PICD#1		KEY10																					NC28		SD#25		SD#27		SD#18		SD#18	N	
P		VSS64		VSS63		VSS62		VSS6																					VCC6		VCC63		VCC62		VCC61		SD#16	P	
Q		TCK		TMS		SCNSH																							NC29		SD#24		SD#17		SD#16		SD#16	Q	
R		VCC59		VCC58		VCC57		VCC7																					VSS7		VSS61		VSS59		VSS58		SD#6	R	
S		SCNCK1		SCNINW		SCNCK2		NC31																					NC30		SD#7		SD#15		SD#6		SD#6	S	
T		VSS57		VSS56		VSS55		VSS8																					VCC8		VCC56		VCC55		VCC54		SD#5	T	
U		TDI		TRST#		TDO		NC33																					NC32		SD#5		SD#4		SK#0		SD#4	U	
V		VCC53		VCC52		VCC51		VCC9																					VSS9		VSS54		VSS53		VSS52		SD#1	V	
W		FID(0)		FID(1)		VREF_S		NC35																					NC34		SDIC#0		SD#2		SD#1		SD#1	W	
X		VSS51		VSS50		VSS48		VSS10																					VCC10		VCC50		VCC48		VCC47		SD#3	X	
Y		FID(2)		FID(3)		NC37		KEY12																					NC36		SK#1		SD#3		SD#12		SD#12	Y	
Z		VCC46		VCC45		VCC44		VCC11																					VSS11		VSS47		VSS46		VSS45		SD#13	Z	
AA		DBRDY		DBREQ#		SVRFM																							NC1		SD#8		SD#0		SD#13		SD#13	AA	
AB		VSS44		VSS43		VSS42		VSS12																					VCC12		VCC43		VCC42		VCC41		SD#11	AB	
AC		STPC#		PLTST#		ZN		VCC_Z																					NC2		SD#10		SD#14		SD#11		SD#11	AC	
AD		VCC40		VCC39		VCC37		NC42																					NC41		VSS41		VSS40		VSS39		SD#9	AD	
AE		AZOM#		PWROK		ZP		VSS_Z																						NC3		SAI#5		SDOC#0		SD#9		SD#9	AE
AF		VSS38		VSS37		NC47		NC48		NC43		VSS13		VCC13		VSS14		VCC14		VSS15		VCC15		VSS16		VCC16		NC44		NC45		NC46		VCC36		VCC35		SD#7	AF
AG		FERR#		RESET#		NC9		KEY14			COREFB		COREFB#		KEY16			NC		NC		NC6		NC7				KEY18		NC8		SAI#2		SAI#11		SAI#7	AG		
AH		VCC34		VCC33		NC50		VCC32		VSS35		VCC31		VSS34		VCC30		VSS33		VCC29		VSS32		VCC27		VSS31		NC49		VSS30		VSS29		VSS27		SD#7	AH		
AJ		IGNWE#		INIT#		VCC101		NC51		NC52		NC10		ANLOG		NC11		NC12		NC13		CLKFR		VCCA		PLBYP#		NC15		NC		SFILL#		SAIC#		SAI#6		SAI#3	AJ
AK		VSS26		VSS25		VSS103		NC53		VCC25		VSS23		VCC24		VSS22		VCC23		VSS21		VCC22		VSS20		VCC21		VSS19		VCC20		VSS18		VCC19		VCC18		SD#10	AK
AL		INTR		FLUSH#		VCC26		NC54		NC55		NC16		PLMN2		PLBYC#		CLKIN#		RCLK#		K7CO		CNCT		NC		NC		SAI#1		SDOV#		SAI#8		SAI#4		SAI#10	AL
AM		VCC93		VSS102		VSS104		NC56		VCC83		VSS93		VCC72		VSS82		VCC60		VSS71		VCC49		VSS60		VCC38		VSS49		VCC28		VSS28		VCC17		VSS17		SD#9	AM
AN				NMI		SMI#		NC57		NC18		NC17		PLMN1		PLBYC		CLKIN		RCLK		K7CO#		PRCRDY		NC		NC		SAI#12		SAI#14		SDINW#		SAI#13		SAI#9	AN
	1	2	3	4	5	6	7	8	9	10	11	12	13	14	15	16	17	18	19	20	21	22	23	24	25	26	27	28	29	30	31	32	33	34	35	36	37		

**AMD Duron™ Processor
Topside View**

Figure 17. AMD Duron™ Processor Pin Diagram—Topside View

Table 18. Pin Name Abbreviations

Abbreviation	Full Name	Pin	Abbreviation	Full Name	Pin
	A20M#	AE1		NC3	AE31
ANLOG	ANALOG	AJ13		NC6	AG23
CLKFR	CLKFWDRESET	AJ21		NC7	AG25
	CLKIN	AN17		NC8	AG31
	CLKIN#	AL17		NC9	AG5
CNNCT	CONNECT	AL23		NC10	AJ11
	COREFB	AG11		NC11	AJ15
	COREFB#	AG13		NC12	AJ17
	DBRDY	AA1		NC13	AJ19
	DBREQ#	AA3		NC15	AJ27
	NC	AG19		NC16	AL11
	NC	G21		NC17	AN11
	FERR	AG1		NC18	AN9
	FID[0]	W1		NC19	G11
	FID[1]	W3		NC20	G13
	FID[2]	Y1		NC21	G27
	FID[3]	Y3		NC22	G29
	FLUSH#	AL3		NC23	G31
	NC	AG21		NC24	J31
	NC	G19		NC25	J5
	IGNNE#	AJ1		NC27	L31
	INIT#	AJ3		NC28	N31
	INTR	AL1		NC29	Q31
K7CO	K7CLKOUT	AL21		NC30	S31
K7CO#	K7CLKOUT#	AN21		NC31	S7
	KEY4	G25		NC32	U31
	KEY6	G17		NC33	U7
	KEY8	G9		NC34	W31
	KEY10	N7		NC35	W7
	KEY12	Y7		NC36	Y31
	KEY14	AG7		NC37	Y5
	KEY16	AG15		NC41	AD30
	KEY18	AG29		NC42	AD8
	NC	AL25		NC43	AF10
	NC	AL27		NC44	AF28
	NC	AN25		NC45	AF30
	NC	AN27		NC46	AF32
	NC1	AA31		NC47	AF6
	NC2	AC31		NC48	AF8

Table 18. Pin Name Abbreviations (continued)

Abbreviation	Full Name	Pin	Abbreviation	Full Name	Pin
	NC49	AH30	STPC#	STPCLK#	AC1
	NC50	AH8		NC	AJ29
	NC51	AJ7	SAI#1	SADDIN[1]#	AL29
	NC52	AJ9	SAI#2	SADDIN[2]#	AG33
	NC53	AK8	SAI#3	SADDIN[3]#	AJ37
	NC54	AL7	SAI#4	SADDIN[4]#	AL35
	NC55	AL9	SAI#5	SADDIN[5]#	AE33
	NC56	AM8	SAI#6	SADDIN[6]#	AJ35
	NC57	AN7	SAI#7	SADDIN[7]#	AG37
	NC58	F30	SAI#8	SADDIN[8]#	AL33
	NC59	F8	SAI#9	SADDIN[9]#	AN37
	NC60	H10	SAI#10	SADDIN[10]#	AL37
	NC61	H28	SAI#11	SADDIN[11]#	AG35
	NC62	H30	SAI#12	SADDIN[12]#	AN29
	NC63	H32	SAI#13	SADDIN[13]#	AN35
	NC64	H6	SAI#14	SADDIN[14]#	AN31
	NC65	H8	SAIC#	SADDINCLK#	AJ33
	NC66	K30	SAO#0	SADDOUT[0]#	J1
	NC67	K8	SAO#1	SADDOUT[1]#	J3
	NMI	AN3	SAO#2	SADDOUT[2]#	C7
	PICCLK	N1	SAO#3	SADDOUT[3]#	A7
PICD#0	PICD[0]#	N3	SAO#4	SADDOUT[4]#	E5
PICD#1	PICD[1]#	N5	SAO#5	SADDOUT[5]#	A5
PLBYP#	PLLBYPASS#	AJ25	SAO#6	SADDOUT[6]#	E7
PLBYC	PLLBYPASSCLK	AN15	SAO#7	SADDOUT[7]#	C1
PLBYC#	PLLBYPASSCLK#	AL15	SAO#8	SADDOUT[8]#	C5
PLMN1	PLLMON1	AN13	SAO#9	SADDOUT[9]#	C3
PLMN2	PLLMON2	AL13	SAO#10	SADDOUT[10]#	G1
PLTST#	PLLTST#	AC3	SAO#11	SADDOUT[11]#	E1
PRCRDY	PROCREADY	AN23	SAO#12	SADDOUT[12]#	A3
	PWROK	AE3	SAO#13	SADDOUT[13]#	G5
	RESET#	AG3	SAO#14	SADDOUT[14]#	G3
RCLK	RSTCLK	AN19	SAOCLK#	SADDOUTCLK#	E3
RCLK#	RSTCLK#	AL19	SCK#0	SCHECK[0]#	U37
SCNCK1	SCANCLK1	S1	SCK#1	SCHECK[1]#	Y33
SCNCK2	SCANCLK2	S5	SCK#2	SCHECK[2]#	L35
SCNINV	SCANINTEVAL	S3	SCK#3	SCHECK[3]#	E33
SCNSN	SCANSHIFTEN	Q5	SCK#4	SCHECK[4]#	E25
	SMI#	AN5	SCK#5	SCHECK[5]#	A31

Table 18. Pin Name Abbreviations (continued)

Abbreviation	Full Name	Pin	Abbreviation	Full Name	Pin
SCK#6	SCHECK[6]#	C13	SD#37	SDATA[37]#	C23
SCK#7	SCHECK[7]#	A19	SD#38	SDATA[38]#	C27
SD#0	SDATA[0]#	AA35	SD#39	SDATA[39]#	A23
SD#1	SDATA[1]#	W37	SD#40	SDATA[40]#	A35
SD#2	SDATA[2]#	W35	SD#41	SDATA[41]#	C35
SD#3	SDATA[3]#	Y35	SD#42	SDATA[42]#	C33
SD#4	SDATA[4]#	U35	SD#43	SDATA[43]#	C31
SD#5	SDATA[5]#	U33	SD#44	SDATA[44]#	A29
SD#6	SDATA[6]#	S37	SD#45	SDATA[45]#	C29
SD#7	SDATA[7]#	S33	SD#46	SDATA[46]#	E23
SD#8	SDATA[8]#	AA33	SD#47	SDATA[47]#	C25
SD#9	SDATA[9]#	AE37	SD#48	SDATA[48]#	E17
SD#10	SDATA[10]#	AC33	SD#49	SDATA[49]#	E13
SD#11	SDATA[11]#	AC37	SD#50	SDATA[50]#	E11
SD#12	SDATA[12]#	Y37	SD#51	SDATA[51]#	C15
SD#13	SDATA[13]#	AA37	SD#52	SDATA[52]#	E9
SD#14	SDATA[14]#	AC35	SD#53	SDATA[53]#	A13
SD#15	SDATA[15]#	S35	SD#54	SDATA[54]#	C9
SD#16	SDATA[16]#	Q37	SD#55	SDATA[55]#	A9
SD#17	SDATA[17]#	Q35	SD#56	SDATA[56]#	C21
SD#18	SDATA[18]#	N37	SD#57	SDATA[57]#	A21
SD#19	SDATA[19]#	J33	SD#58	SDATA[58]#	E19
SD#20	SDATA[20]#	G33	SD#59	SDATA[59]#	C19
SD#21	SDATA[21]#	G37	SD#60	SDATA[60]#	C17
SD#22	SDATA[22]#	E37	SD#61	SDATA[61]#	A11
SD#23	SDATA[23]#	G35	SD#62	SDATA[62]#	A17
SD#24	SDATA[24]#	Q33	SD#63	SDATA[63]#	A15
SD#25	SDATA[25]#	N33	SDIC#0	SDATAINCLK[0]#	W33
SD#26	SDATA[26]#	L33	SDIC#1	SDATAINCLK[1]#	J35
SD#27	SDATA[27]#	N35	SDIC#2	SDATAINCLK[2]#	E27
SD#28	SDATA[28]#	L37	SDIC#3	SDATAINCLK[3]#	E15
SD#29	SDATA[29]#	J37	SDINV#	SDATAINVALID#	AN33
SD#30	SDATA[30]#	A37	SDOC#0	SDATAOUTCLK[0]#	AE35
SD#31	SDATA[31]#	E35	SDOC#1	SDATAOUTCLK[1]#	C37
SD#32	SDATA[32]#	E31	SDOC#2	SDATAOUTCLK[2]#	A33
SD#33	SDATA[33]#	E29	SDOC#3	SDATAOUTCLK[3]#	C11
SD#34	SDATA[34]#	A27	SDOV#	SDATAOUTVALID#	AL31
SD#35	SDATA[35]#	A25	SFILLV#	SFILLVAL#	AJ31
SD#36	SDATA[36]#	E21	SVRFM	SYSVREFMODE	AA5

Table 18. Pin Name Abbreviations (continued)

Abbreviation	Full Name	Pin	Abbreviation	Full Name	Pin
	TCK	Q1	VCC35	VCC_CORE35	AF36
	TDI	U1	VCC36	VCC_CORE36	AF34
	TDO	U5	VCC37	VCC_CORE37	AD6
	TMS	Q3	VCC38	VCC_CORE38	AM26
	TRST#	U3	VCC39	VCC_CORE39	AD4
VCC1	VCC_CORE1	H12	VCC40	VCC_CORE40	AD2
VCC2	VCC_CORE2	H16	VCC41	VCC_CORE41	AB36
VCC3	VCC_CORE3	H20	VCC42	VCC_CORE42	AB34
VCC4	VCC_CORE4	H24	VCC43	VCC_CORE43	AB32
VCC5	VCC_CORE5	M8	VCC44	VCC_CORE44	Z6
VCC6	VCC_CORE6	P30	VCC45	VCC_CORE45	Z4
VCC7	VCC_CORE7	R8	VCC46	VCC_CORE46	Z2
VCC8	VCC_CORE8	T30	VCC47	VCC_CORE47	X36
VCC9	VCC_CORE9	V8	VCC48	VCC_CORE48	X34
VCC10	VCC_CORE10	X30	VCC49	VCC_CORE49	AM22
VCC11	VCC_CORE11	Z8	VCC50	VCC_CORE50	X32
VCC12	VCC_CORE12	AB30	VCC51	VCC_CORE51	V6
VCC13	VCC_CORE13	AF14	VCC52	VCC_CORE52	V4
VCC14	VCC_CORE14	AF18	VCC53	VCC_CORE53	V2
VCC15	VCC_CORE15	AF22	VCC54	VCC_CORE54	T36
VCC16	VCC_CORE16	AF26	VCC55	VCC_CORE55	T34
VCC17	VCC_CORE17	AM34	VCC56	VCC_CORE56	T32
VCC18	VCC_CORE18	AK36	VCC57	VCC_CORE57	R6
VCC19	VCC_CORE19	AK34	VCC58	VCC_CORE58	R4
VCC20	VCC_CORE20	AK30	VCC59	VCC_CORE59	R2
VCC21	VCC_CORE21	AK26	VCC60	VCC_CORE60	AM18
VCC22	VCC_CORE22	AK22	VCC61	VCC_CORE61	P36
VCC23	VCC_CORE23	AK18	VCC62	VCC_CORE62	P34
VCC24	VCC_CORE24	AK14	VCC63	VCC_CORE63	P32
VCC25	VCC_CORE25	AK10	VCC64	VCC_CORE64	M4
VCC26	VCC_CORE26	AL5	VCC65	VCC_CORE65	M6
VCC27	VCC_CORE27	AH26	VCC66	VCC_CORE66	M2
VCC28	VCC_CORE28	AM30	VCC67	VCC_CORE67	K36
VCC29	VCC_CORE29	AH22	VCC68	VCC_CORE68	K34
VCC30	VCC_CORE30	AH18	VCC69	VCC_CORE69	K32
VCC31	VCC_CORE31	AH14	VCC70	VCC_CORE70	H4
VCC32	VCC_CORE32	AH10	VCC71	VCC_CORE71	H2
VCC33	VCC_CORE33	AH4	VCC72	VCC_CORE72	AM14
VCC34	VCC_CORE34	AH2	VCC73	VCC_CORE73	F36

Table 18. Pin Name Abbreviations (continued)

Abbreviation	Full Name	Pin	Abbreviation	Full Name	Pin
VCC74	VCC_CORE74	F34		VSS100	B6
VCC75	VCC_CORE75	F32		VSS101	B2
VCC76	VCC_CORE76	F28		VSS102	AM4
VCC77	VCC_CORE77	F24		VSS103	AK6
VCC78	VCC_CORE78	F20		VSS104	AM6
VCC79	VCC_CORE79	F16		VSS11	Z30
VCC80	VCC_CORE80	F12		VSS12	AB8
VCC81	VCC_CORE81	D32		VSS13	AF12
VCC82	VCC_CORE82	D28		VSS14	AF16
VCC83	VCC_CORE83	AM10		VSS15	AF20
VCC84	VCC_CORE84	D24		VSS16	AF24
VCC85	VCC_CORE85	D20		VSS17	AM36
VCC86	VCC_CORE86	D16		VSS18	AK32
VCC87	VCC_CORE87	D12		VSS19	AK28
VCC88	VCC_CORE88	D8		VSS2	H18
VCC89	VCC_CORE89	D4		VSS20	AK24
VCC90	VCC_CORE90	D2		VSS21	AK20
VCC91	VCC_CORE91	B36		VSS22	AK16
VCC92	VCC_CORE92	B32		VSS23	AK12
VCC93	VCC_CORE93	AM2		VSS25	AK4
VCC94	VCC_CORE94	B28		VSS26	AK2
VCC95	VCC_CORE95	B24		VSS27	AH36
VCC96	VCC_CORE96	B20		VSS28	AM32
VCC97	VCC_CORE97	B16		VSS29	AH34
VCC98	VCC_CORE98	B12		VSS3	H22
VCC99	VCC_CORE99	B8		VSS30	AH32
VCC100	VCC_CORE100	B4		VSS31	AH28
VCC101	VCC_CORE101	AJ5		VSS32	AH24
	VCC_Z	AC7		VSS33	AH20
	VCCA	AJ23		VSS34	AH16
	VID[0]	L1		VSS35	AH12
	VID[1]	L3		VSS37	AF4
	VID[2]	L5		VSS38	AF2
	VID[3]	L7		VSS39	AD36
	VID[4]	J7		VSS4	H26
VREF_S	VREF_SYS	W5		VSS40	AD34
	VSS_Z	AE7		VSS41	AD32
	VSS1	H14		VSS42	AB6
	VSS10	X8		VSS43	AB4

Table 18. Pin Name Abbreviations (continued)

Abbreviation	Full Name	Pin	Abbreviation	Full Name	Pin
	VSS44	AB2		VSS8	T8
	VSS45	Z36		VSS80	F4
	VSS46	Z34		VSS81	F2
	VSS47	Z32		VSS82	AM16
	VSS48	X6		VSS83	D36
	VSS49	AM28		VSS84	D34
	VSS5	M30		VSS85	D30
	VSS50	X4		VSS86	D26
	VSS51	X2		VSS87	D22
	VSS52	V36		VSS88	D18
	VSS53	V34		VSS89	D14
	VSS54	V32		VSS9	V30
	VSS55	T6		VSS90	D10
	VSS56	T4		VSS91	D6
	VSS57	T2		VSS92	B34
	VSS58	R36		VSS93	AM12
	VSS59	R34		VSS94	B30
	VSS6	P8		VSS95	B26
	VSS60	AM24		VSS96	B22
	VSS61	R32		VSS97	B18
	VSS62	P6		VSS98	B14
	VSS63	P4		VSS99	B10
	VSS64	P2		ZN	AC5
	VSS65	M36		ZP	AE5
	VSS66	M34			
	VSS67	M32			
	VSS68	K6			
	VSS69	K4			
	VSS7	R30			
	VSS70	K2			
	VSS71	AM20			
	VSS72	H36			
	VSS73	H34			
	VSS74	F26			
	VSS75	F22			
	VSS76	F18			
	VSS77	F14			
	VSS78	F10			
	VSS79	F6			

9.2 Pin List

Table 19 cross-references the Socket A pin location to the signal name.

The “L” (Level) column shows the electrical specification for this pin. “P” indicates a push-pull mode driven by a single source. “O” indicates open-drain mode that allows devices to share the pin.

Note: The Socket A AMD Duron processor supports push-pull drivers. For more information, see “Push-Pull (PP) Drivers” on page 6.

The “P” (Port) column indicates if this signal is an input (I), output (O), or bidirectional (B) signal.

The “R” (Reference) column indicates if this signal should be referenced to VSS (G) or VCC_CORE (P).

The Description column contains a cross-reference to a page with more information in the “Detailed Pin Descriptions” (which starts on page 59).

Table 19. Socket A Pin Cross-Reference by Pin Location

Pin	Name	Description	L	P	R	Pin	Name	Description	L	P	R
A1	No Pin	Page 62	-	-	-	B2	VSS		-	-	-
A3	SADDOUT[12]#		P	O	G	B4	VCC_CORE		-	-	-
A5	SADDOUT[5]#		P	O	G	B6	VSS		-	-	-
A7	SADDOUT[3]#		P	O	G	B8	VCC_CORE		-	-	-
A9	SDATA[55]#		P	B	P	B10	VSS		-	-	-
A11	SDATA[61]#		P	B	P	B12	VCC_CORE		-	-	-
A13	SDATA[53]#		P	B	G	B14	VSS		-	-	-
A15	SDATA[63]#		P	B	G	B16	VCC_CORE		-	-	-
A17	SDATA[62]#		P	B	G	B18	VSS		-	-	-
A19	SCHECK[7]#	Page 63	P	B	G	B20	VCC_CORE		-	-	-
A21	SDATA[57]#		P	B	G	B22	VSS		-	-	-
A23	SDATA[39]#		P	B	G	B24	VCC_CORE		-	-	-
A25	SDATA[35]#		P	B	P	B26	VSS		-	-	-
A27	SDATA[34]#		P	B	P	B28	VCC_CORE		-	-	-

Table 19. Socket A Pin Cross-Reference by Pin Location (continued)

Pin	Name	Description	L	P	R	Pin	Name	Description	L	P	R
A29	SDATA[44]#		P	B	G	B30	VSS		-	-	-
A31	SCHECK[5]#	Page 63	P	B	G	B32	VCC_CORE		-	-	-
A33	SDATAOUTCLK[2]#		P	O	P	B34	VSS		-	-	-
A35	SDATA[40]#		P	B	G	B36	VCC_CORE		-	-	-
A37	SDATA[30]#		P	B	P						
C1	SADDOUT[7]#		P	O	G	D2	VCC_CORE		-	-	-
C3	SADDOUT[9]#		P	O	G	D4	VCC_CORE		-	-	-
C5	SADDOUT[8]#		P	O	G	D6	VSS		-	-	-
C7	SADDOUT[2]#		P	O	G	D8	VCC_CORE		-	-	-
C9	SDATA[54]#		P	B	P	D10	VSS		-	-	-
C11	SDATAOUTCLK[3]#		P	O	G	D12	VCC_CORE		-	-	-
C13	SCHECK[6]#	Page 63	P	B	G	D14	VSS		-	-	-
C15	SDATA[51]#		P	B	P	D16	VCC_CORE		-	-	-
C17	SDATA[60]#		P	B	G	D18	VSS		-	-	-
C19	SDATA[59]#		P	B	G	D20	VCC_CORE		-	-	-
C21	SDATA[56]#		P	B	G	D22	VSS		-	-	-
C23	SDATA[37]#		P	B	P	D24	VCC_CORE		-	-	-
C25	SDATA[47]#		P	B	G	D26	VSS		-	-	-
C27	SDATA[38]#		P	B	G	D28	VCC_CORE		-	-	-
C29	SDATA[45]#		P	B	G	D30	VSS		-	-	-
C31	SDATA[43]#		P	B	G	D32	VCC_CORE		-	-	-
C33	SDATA[42]#		P	B	G	D34	VSS		-	-	-
C35	SDATA[41]#		P	B	G	D36	VSS		-	-	-
C37	SDATAOUTCLK[1]#		P	O	G						
E1	SADDOUT[11]#		P	O	P	F2	VSS		-	-	-
E3	SADDOUTCLK#		P	O	G	F4	VSS		-	-	-
E5	SADDOUT[4]#		P	O	P	F6	VSS		-	-	-
E7	SADDOUT[6]#		P	O	G	F8	NC Pin	Page 62	-	-	-
E9	SDATA[52]#		P	B	P	F10	VSS		-	-	-
E11	SDATA[50]#		P	B	P	F12	VCC_CORE		-	-	-
E13	SDATA[49]#		P	B	G	F14	VSS		-	-	-
E15	SDATAINCLK[3]#		P	I	G	F16	VCC_CORE		-	-	-
E17	SDATA[48]#		P	B	P	F18	VSS		-	-	-
E19	SDATA[58]#		P	B	G	F20	VCC_CORE		-	-	-

Table 19. Socket A Pin Cross-Reference by Pin Location (continued)

Pin	Name	Description	L	P	R	Pin	Name	Description	L	P	R
E21	SDATA[36]#		P	B	P	F22	VSS		-	-	-
E23	SDATA[46]#		P	B	P	F24	VCC_CORE		-	-	-
E25	SCHECK[4]#	Page 63	P	B	P	F26	VSS		-	-	-
E27	SDATAINCLK[2]#		P	I	G	F28	VCC_CORE		-	-	-
E29	SDATA[33]#		P	B	P	F30	NC Pin	Page 62	-	-	-
E31	SDATA[32]#		P	B	P	F32	VCC_CORE		-	-	-
E33	SCHECK[3]#	Page 63	P	B	P	F34	VCC_CORE		-	-	-
E35	SDATA[31]#		P	B	P	F36	VCC_CORE		-	-	-
E37	SDATA[22]#		P	B	G						
G1	SADDOUT[10]#		P	O	P	H2	VCC_CORE		-	-	-
G3	SADDOUT[14]#		P	O	G	H4	VCC_CORE		-	-	-
G5	SADDOUT[13]#		P	O	G	H6	NC Pin	Page 62	-	-	-
G7	Key Pin	Page 61	-	-	-	H8	NC Pin	Page 62	-	-	-
G9	Key Pin	Page 61	-	-	-	H10	NC Pin	Page 62	-	-	-
G11	NC Pin	Page 62	-	-	-	H12	VCC_CORE		-	-	-
G13	NC Pin	Page 62	-	-	-	H14	VSS		-	-	-
G15	Key Pin	Page 61	-	-	-	H16	VCC_CORE		-	-	-
G17	Key Pin	Page 61	-	-	-	H18	VSS		-	-	-
G19	NC Pin	Page 62	-	-	-	H20	VCC_CORE		-	-	-
G21	NC Pin	Page 62	-	-	-	H22	VSS		-	-	-
G23	Key Pin	Page 61	-	-	-	H24	VCC_CORE		-	-	-
G25	Key Pin	Page 61	-	-	-	H26	VSS		-	-	-
G27	NC Pin	Page 62	-	-	-	H28	NC Pin	Page 62	-	-	-
G29	NC Pin	Page 62	-	-	-	H30	NC Pin	Page 62	-	-	-
G31	NC Pin	Page 62	-	-	-	H32	NC Pin	Page 62	-	-	-
G33	SDATA[20]#		P	B	G	H34	VSS		-	-	-
G35	SDATA[23]#		P	B	G	H36	VSS		-	-	-
G37	SDATA[21]#		P	B	G						
J1	SADDOUT[0]#	Page 62	P	O		K2	VSS		-	-	-
J3	SADDOUT[1]#	Page 62	P	O		K4	VSS		-	-	-
J5	NC Pin	Page 62	-	-	-	K6	VSS		-	-	-
J7	VID[4]	Page 63	O	O	-	K8	NC Pin	Page 62	-	-	-
J31	NC Pin	Page 62	-	-	-	K30	NC Pin	Page 62	-	-	-
J33	SDATA[19]#		P	B	G	K32	VCC_CORE		-	-	-

Table 19. Socket A Pin Cross-Reference by Pin Location (continued)

Pin	Name	Description	L	P	R	Pin	Name	Description	L	P	R
J35	SDATAINCLK[1]#		P	I	P	K34	VCC_CORE		-	-	-
J37	SDATA[29]#		P	B	P	K36	VCC_CORE		-	-	-
L1	VID[0]	Page 63	O	O	-	M2	VCC_CORE		-	-	-
L3	VID[1]	Page 63	O	O	-	M4	VCC_CORE		-	-	-
L5	VID[2]	Page 63	O	O	-	M6	VCC_CORE		-	-	-
L7	VID[3]	Page 63	O	O	-	M8	VCC_CORE		-	-	-
L31	NC Pin	Page 62	-	-	-	M30	VSS		-	-	-
L33	SDATA[26]#		P	B	P	M32	VSS		-	-	-
L35	SCHECK[2]#	Page 63	P	B	G	M34	VSS		-	-	-
L37	SDATA[28]#		P	B	P	M36	VSS		-	-	-
N1	PICCLK		P	I		P2	VSS		-	-	-
N3	PICD[0]#		P	B		P4	VSS		-	-	-
N5	PICD[1]#		P	B		P6	VSS		-	-	-
N7	Key Pin	Page 61	-	-	-	P8	VSS		-	-	-
N31	NC Pin	Page 62	-	-	-	P30	VCC_CORE		-	-	-
N33	SDATA[25]#		P	B	P	P32	VCC_CORE		-	-	-
N35	SDATA[27]#		P	B	P	P34	VCC_CORE		-	-	-
N37	SDATA[18]#		P	B	G	P36	VCC_CORE		-	-	-
Q1	TCK	Page 61	P	I		R2	VCC_CORE		-	-	-
Q3	TMS	Page 61	P	I		R4	VCC_CORE		-	-	-
Q5	SCANSHIFTEN	Page 63	P	I		R6	VCC_CORE		-	-	-
Q7	Key Pin	Page 61	-	-	-	R8	VCC_CORE		-	-	-
Q31	NC Pin	Page 62	-	-	-	R30	VSS		-	-	-
Q33	SDATA[24]#		P	B	P	R32	VSS		-	-	-
Q35	SDATA[17]#		P	B	G	R34	VSS		-	-	-
Q37	SDATA[16]#		P	B	G	R36	VSS		-	-	-
S1	SCANCLK1	Page 63	P	I		T2	VSS		-	-	-
S3	SCANINTEVAL	Page 63	P	I		T4	VSS		-	-	-
S5	SCANCLK2	Page 63	P	I		T6	VSS		-	-	-
S7	NC Pin	Page 62	-	-	-	T8	VSS		-	-	-
S31	NC Pin	Page 62	-	-	-	T30	VCC_CORE		-	-	-
S33	SDATA[7]#		P	B	G	T32	VCC_CORE		-	-	-
S35	SDATA[15]#		P	B	P	T34	VCC_CORE		-	-	-
S37	SDATA[6]#		P	B	G	T36	VCC_CORE		-	-	-

Table 19. Socket A Pin Cross-Reference by Pin Location (continued)

Pin	Name	Description	L	P	R	Pin	Name	Description	L	P	R
U1	TDI	Page 61	P	I		V2	VCC_CORE		-	-	-
U3	TRST#	Page 61	P	I		V4	VCC_CORE		-	-	-
U5	TDO	Page 61	P	O		V6	VCC_CORE		-	-	-
U7	NC Pin	Page 62	-	-	-	V8	VCC_CORE		-	-	-
U31	NC Pin	Page 62	-	-	-	V30	VSS		-	-	-
U33	SDATA[5]#		P	B	G	V32	VSS		-	-	-
U35	SDATA[4]#		P	B	G	V34	VSS		-	-	-
U37	SCHECK[0]#	Page 63	P	B	G	V36	VSS		-	-	-
W1	FID[0]	Page 60	O	-	-	X2	VSS		-	-	-
W3	FID[1]	Page 60	O	-	-	X4	VSS		-	-	-
W5	VREFSYS	Page 64	P	-	-	X6	VSS		-	-	-
W7	NC Pin	Page 62	-	-	-	X8	VSS		-	-	-
W31	NC Pin	Page 62	-	-	-	X30	VCC_CORE		-	-	-
W33	SDATAINCLK[0]#		P	I	G	X32	VCC_CORE		-	-	-
W35	SDATA[2]#		P	B	G	X34	VCC_CORE		-	-	-
W37	SDATA[1]#		P	B	P	X36	VCC_CORE		-	-	-
Y1	FID[2]	Page 60	O	-	-	Z2	VCC_CORE		-	-	-
Y3	FID[3]	Page 60	O	-	-	Z4	VCC_CORE		-	-	-
Y5	NC Pin	Page 62	-	-	-	Z6	VCC_CORE		-	-	-
Y7	Key Pin	Page 61	-	-	-	Z8	VCC_CORE		-	-	-
Y31	NC Pin	Page 62	-	-	-	Z30	VSS		-	-	-
Y33	SCHECK[1]#	Page 63	P	B	P	Z32	VSS		-	-	-
Y35	SDATA[3]#		P	B	G	Z34	VSS		-	-	-
Y37	SDATA[12]#		P	B	P	Z36	VSS		-	-	-
AA1	DBRDY	Page 59	P	O		AB2	VSS		-	-	-
AA3	DBREQ#	Page 59	P	I		AB4	VSS		-	-	-
AA5	SYSVREFMODE	Page 63	P	I		AB6	VSS		-	-	-
AA7	Key Pin	Page 61	-	-	-	AB8	VSS		-	-	-
AA31	NC Pin	Page 62	-	-	-	AB30	VCC_CORE		-	-	-
AA33	SDATA[8]#		P	B	P	AB32	VCC_CORE		-	-	-
AA35	SDATA[0]#		P	B	G	AB34	VCC_CORE		-	-	-
AA37	SDATA[13]#		P	B	G	AB36	VCC_CORE		-	-	-
AC1	STPCLK#	Page 63	P	I		AD2	VCC_CORE		-	-	-
AC3	PLLTEST#	Page 62	P	I		AD4	VCC_CORE		-	-	-

Table 19. Socket A Pin Cross-Reference by Pin Location (continued)

Pin	Name	Description	L	P	R	Pin	Name	Description	L	P	R
AC5	ZN	Page 64	P	-		AD6	VCC_CORE		-	-	-
AC7	VCC_Z	Page 64	P	-		AD8	NC Pin	Page 62	-	-	-
AC31	NC Pin	Page 62	-	-	-	AD30	NC Pin	Page 62	-	-	-
AC33	SDATA[10]#		P	B	P	AD32	VSS		-	-	-
AC35	SDATA[14]#		P	B	G	AD34	VSS		-	-	-
AC37	SDATA[11]#		P	B	G	AD36	VSS		-	-	-
AE1	A20M#	Page 59	P	I		AE31	NC Pin	Page 62	-	-	-
AE3	PWROK	Page 62	P	I		AE33	SADDIN[5]#		-	I	G
AE5	ZP	Page 64	P	-		AE35	SDATAOUTCLK[0]#		-	O	P
AE7	VSS_Z	Page 64	-	-		AE37	SDATA[9]#		-	B	G
AF2	VSS		-	-	-	AG1	FERR	Page 60	-	I	
AF4	VSS		-	-	-	AG3	RESET#		-	I	
AF6	NC Pin	Page 62	-	-	-	AG5	NC Pin	Page 62	-	-	-
AF8	NC Pin	Page 62	-	-	-	AG7	Key Pin	Page 61	-	-	-
AF10	NC Pin	Page 62	-	-	-	AG9	Key Pin	Page 61	-	-	-
AF12	VSS		-	-	-	AG11	COREFB	Page 59	-	-	
AF14	VCC_CORE		-	-	-	AG13	COREFB#	Page 59	-	-	
AF16	VSS		-	-	-	AG15	Key Pin	Page 61	-	-	-
AF18	VCC_CORE		-	-	-	AG17	Key Pin	Page 61	-	-	-
AF20	VSS		-	-	-	AG19	NC Pin	Page 62	-	-	-
AF22	VCC_CORE		-	-	-	AG21	NC Pin	Page 62	-	-	-
AF24	VSS		-	-	-	AG23	NC Pin	Page 62	-	-	-
AF26	VCC_CORE		-	-	-	AG25	NC Pin	Page 62	-	-	-
AF28	NC Pin	Page 62	-	-	-	AG27	Key Pin	Page 61	-	-	-
AF30	NC Pin	Page 62	-	-	-	AG29	Key Pin	Page 61	-	-	-
AF32	NC Pin	Page 62	-	-	-	AG31	NC Pin	Page 62	-	-	-
AF34	VCC_CORE		-	-	-	AG33	SADDIN[2]#		P	I	G
AF36	VCC_CORE		-	-	-	AG35	SADDIN[11]#		P	I	G
						AG37	SADDIN[7]#		P	I	P
AH2	VCC_CORE		-	-	-	AJ1	IGNNE#	Page 61	P	I	
AH4	VCC_CORE		-	-	-	AJ3	INIT#	Page 61	P	I	
AH6	AMD Pin	Page 59	-	-	-	AJ5	VCC_CORE		-	-	-
AH8	NC Pin	Page 62	-	-	-	AJ7	NC Pin	Page 62	-	-	-
AH10	VCC_CORE		-	-	-	AJ9	NC Pin	Page 62	-	-	-

Table 19. Socket A Pin Cross-Reference by Pin Location (continued)

Pin	Name	Description	L	P	R	Pin	Name	Description	L	P	R
AH12	VSS		-	-	-	AJ11	NC Pin	Page 62	-	-	-
AH14	VCC_CORE		-	-	-	AJ13	Analog	Page 59	-	-	
AH16	VSS		-	-	-	AJ15	NC Pin	Page 62	-	-	-
AH18	VCC_CORE		-	-	-	AJ17	NC Pin	Page 62	-	-	-
AH20	VSS		-	-	-	AJ19	NC Pin	Page 62	-	-	-
AH22	VCC_CORE		-	-	-	AJ21	CLKFWRDST	Page 59	P	I	
AH24	VSS		-	-	-	AJ23	VCCA	Page 63	P	-	
AH26	VCC_CORE		-	-	-	AJ25	PLLBYPASS#	Page 62	P	I	
AH28	VSS		-	-	-	AJ27	NC Pin	Page 62	-	-	-
AH30	NC Pin	Page 62	-	-	-	AJ29	NC Pin		-	-	-
AH32	VSS		-	-	-	AJ31	SFILLVAL#		P	I	G
AH34	VSS		-	-	-	AJ33	SADDINCLK#		P	I	G
AH36	VSS		-	-	-	AJ35	SADDIN[6]#		P	I	P
						AJ37	SADDIN[3]#		P	I	G
AK2	VSS		-	-	-	AL1	INTR	Page 61	P	I	
AK4	VSS		-	-	-	AL3	FLUSH#	Page 61	P	I	
AK6	VSS		-	-	-	AL5	VCC_CORE		-	-	-
AK8	NC Pin	Page 62	-	-	-	AL7	NC Pin	Page 62	-	-	-
AK10	VCC_CORE		-	-	-	AL9	NC Pin	Page 62	-	-	-
AK12	VSS		-	-	-	AL11	NC Pin	Page 62	-	-	-
AK14	VCC_CORE		-	-	-	AL13	PLLMON2	Page 62	P	I	
AK16	VSS		-	-	-	AL15	PLLBYPASSCLK#	Page 62	P	I	
AK18	VCC_CORE		-	-	-	AL17	CLKIN#	Page 59	P	I	P
AK20	VSS		-	-	-	AL19	RSTCLK#	Page 59	P	I	P
AK22	VCC_CORE		-	-	-	AL21	K7CLKOUT	Page 61	P	O	
AK24	VSS		-	-	-	AL23	CONNECT	Page 59	P	I	P
AK26	VCC_CORE		-	-	-	AL25	NC Pin	Page 62	-	-	-
AK28	VSS		-	-	-	AL27	NC Pin	Page 62	-	-	-
AK30	VCC_CORE		-	-	-	AL29	SADDIN[1]#	Page 62	P	I	
AK32	VSS		-	-	-	AL31	SDATAOUTVAL#		P	O	P
AK34	VCC_CORE		-	-	-	AL33	SADDIN[8]#		P	I	P
AK36	VCC_CORE		-	-	-	AL35	SADDIN[4]#		P	I	G
						AL37	SADDIN[10]#		P	I	G
AM2	VCC_CORE		-	-	-	AN1	No Pin	Page 62	-	-	-

Table 19. Socket A Pin Cross-Reference by Pin Location (continued)

Pin	Name	Description	L	P	R	Pin	Name	Description	L	P	R
AM4	VSS		-	-	-	AN3	NMI	Page 62	P	I	
AM6	VSS		-	-	-	AN5	SMI#	Page 63	P	I	
AM8	NC Pin	Page 62	-	-	-	AN7	NC Pin	Page 62	-	-	-
AM10	VCC_CORE		-	-	-	AN9	NC Pin	Page 62	-	-	-
AM12	VSS		-	-	-	AN11	NC Pin	Page 62		-	-
AM14	VCC_CORE		-	-	-	AN13	PLLMON1	Page 62		I	
AM16	VSS		-	-	-	AN15	PLLBYPASSCLK	Page 62		I	
AM18	VCC_CORE		-	-	-	AN17	CLKIN	Page 59		I	P
AM20	VSS		-	-	-	AN19	RSTCLK	Page 59		I	P
AM22	VCC_CORE		-	-	-	AN21	K7CLKOUT#	Page 61		O	
AM24	VSS		-	-	-	AN23	PROCRDY			O	P
AM26	VCC_CORE		-	-	-	AN25	NC Pin	Page 62		-	-
AM28	VSS		-	-	-	AN27	NC Pin	Page 62		-	-
AM30	VCC_CORE		-	-	-	AN29	SADDIN[12]#			I	G
AM32	VSS		-	-	-	AN31	SADDIN[14]#			I	G
AM34	VCC_CORE		-	-	-	AN33	SDATAINVAL#			I	P
AM36	VSS		-	-	-	AN35	SADDIN[13]#			I	G
						AN37	SADDIN[9]#			I	G

9.3 Detailed Pin Descriptions

The information in this section pertains to Table 19 on page 51.

A20M# Pin

A20M# is an input from the system used to simulate address wrap-around in the 20-bit 8086.

AMD Pin

The motherboard should treat the AMD pin (AH6) as an NC pin. A socket designer has the option of creating a top mold piece that blocks this pin location. However, sockets that populate the AMD pin must be allowed, so the motherboard must always provide for a NC type pin at this pin location. AMD Socket A processors do not implement a pin at location AH6. When a socket that does not provide a pin hole at location AH6 is used, a non-AMD PGA370 part does not fit into Socket A.

AMD System Bus Pins

See the *AMD System Bus Specification*, order# 21902 for information about the system bus pins—PROCRDY, PWROK, RESET#, SADDIN[14:2]#, SADDINCLK#, SADDOUT[14:2]#, SADDOUTCLK#, SCHECK[7:0]#, SDATA[63:0]#, SDATAINCLK[3:0]#, SDATAINVAL#, SDATAOUTCLK[3:0]#, SDATAOUTVAL#, SFILLVAL#.

Analog Pin

Treat this pin as an NC.

CLKFWRST Pin

CLKFWRST resets clock-forward circuitry for both the system and processor.

CLKIN, RSTCLK (SYSCLK) Pins

Connect CLKIN (AN17) with RSTCLK (AN19) and name it SYSCLK. Connect CLKIN# (AL17) with RSTCLK# (AL19) and name it SYSCLK#. Length match the clocks from the clock generator to the Northbridge and processor. See “SYSCLK and SYSCLK# Pins” on page 63 for more information.

CONNECT Pin

CONNECT is an input from the system used for power management and clock-forward initialization at reset.

COREFB and COREFB# Pins

COREFB and COREFB# are outputs to the system that provide AMD Duron processor core voltage feedback to the system.

DBRDY and DBREQ# Pins

DBRDY (AA1) and DBREQ# (AA3) are routed to the debug connector. DBREQ# is tied to VCC_CORE with a 1-kohm pullup.

FERR Pin

FERR is an output to the system that is asserted for any unmasked numerical exception independent of the NE bit in CR0. FERR is an open-drain active High signal that must be inverted and level shifted to an active Low signal that is 3.3V when deasserted. For more information about FERR and FERR#, see the “Required Circuits” chapter of the *Motherboard PGA Design Guide*, order# 90009.

FID[3:0] Pins

See “Frequency Identification (FID[3:0])” on page 20 for the AC and DC characteristics for FID[3:0].

FID[3] (Y3), FID[2] (Y1), FID[1] (W3), and FID[0] (W1) are the 4-bit processor clock to SYSCLK ratio. Table 20 describes the encodings of the clock multipliers on FID[3:0].

Table 20. FID[3:0] Clock Multiplier Encodings

FID[3]	FID[2]	FID[1]	FID[0]	Processor Clock to SYSCLK Frequency Ratio
0	0	0	0	11
0	0	0	1	11.5
0	0	1	0	12
0	0	1	1	≥ 12.5
0	1	0	0	5
0	1	0	1	5.5
0	1	1	0	6
0	1	1	1	6.5
1	0	0	0	7
1	0	0	1	7.5
1	0	1	0	8
1	0	1	1	8.5
1	1	0	0	9
1	1	0	1	9.5
1	1	1	0	10
1	1	1	1	10.5

Note:
All ratios greater than or equal to 12.5x have the same FID[3:0] code of 0011, which causes the SIP configuration for all ratios of 12.5x or greater to be the same.

The FID[3:0] signals are open-drain processor outputs that are pulled High on the motherboard and sampled by the Northbridge at the deassertion of RESET# to determine the SIP (serialization initialization packet) that gets sent to the processor. See the *AMD System Bus Specification*, order#21902 for more information about the SIP and SIP protocol.

The processor FID[3:0] outputs are open drain and 2.5V tolerant. **To prevent damage to the processor, if these signals are pulled High to above 2.5 V, they must be electrically isolated from the processor.** For information about the FID[3:0] isolation circuit, see the *Motherboard PGA Design Guide*, order# 90009.

FLUSH# Pin	To the debug connector, this pin should be tied to VCC_CORE with a 1-kohm resistor, and to SMI# with a 0-ohm resistor. The 0-ohm resistor is not populated.
IGNNE# Pin	IGNNE# is an input from the system that tells the processor to ignore numeric errors.
INIT# Pin	INIT# is an input from the system that resets the integer registers without affecting the floating-point registers or the internal caches. Execution starts at 0FFFF FFF0h.
INTR Pin	INTR is an input from the system that causes the processor to start an interrupt acknowledge transaction that fetches the 8-bit interrupt vector and starts execution at that location.
JTAG Pins	TCK (Q1), TMS (Q3), TDI (U1), TRST# (U3), and TDO (U5) are the JTAG interface. Connect these pins directly to the motherboard debug connector. Pullup TDI, TCK, TMS, and TRST# to VCC_CORE with 1-kohm resistors.
K7CLKOUT and K7CLKOUT# Pins	K7CLKOUT (AL21) and K7CLKOUT# (AN21) are each run for 2 to 3 inches and then terminated with a resistor pair, 100 ohms to VCC_CORE and 100 ohms to VSS. The effective termination resistance and voltage are 50 ohms and VCC_CORE/2.
Key Pins	These 16 locations are for processor type keying for forwards and backwards compatibility (G7, G9, G15, G17, G23, G25, N7, Q7, Y7, AA7, AG7, AG9, AG15, AG17, AG27, and AG29). Motherboard designers should treat key pins like NC (no connect) pins. See “NC Pins” on page 62 for more information. A socket designer has the option of creating a top mold piece

that allows PGA key pins only where permitted. However, sockets that populate all key pins must be allowed, so the motherboard must always provide for pins at all key pin locations.

NC Pins

The motherboard should provide a plated hole for an NC pin. The pin hole should not be electrically connected to anything.

NMI Pin

NMI is an input from the system that causes a non-maskable interrupt.

PGA Orientation Pins

No pin is present at pin locations A1 and AN1 (see the *Processor Socket 462 Application Note*, order# 90020). Motherboard designers should not allow for a PGA socket pin at these locations.

PLL Bypass and Test Pins

PLLTEST# (AC3), PLLBYPASS# (AJ25), PLLMON1 (AN13), PLLMON2 (AL13), PLLBYPASSCLK (AN15), and PLLBYPASSCLK# (AL15) are the PLL bypass and test interface. This interface is tied disabled on the motherboard. All six pin signals are routed to the debug connector. All four processor inputs (PLLTEST#, PLLBYPASS#, PLLMON1, and PLLMON2) are tied to VCC_CORE with 1-kohm resistors.

PWROK Pin

Motherboard designs require power sequencing circuitry for processor PLL startup protection. PLL startup complications can occur if PWROK is asserted before the following voltages are valid:

- VCC_CORE
- PLL voltage
- 3.3-V supply, which indicates the system clocks are stable.

For more information, see the *PWROK Signal Motherboard Design Application Note*, order# 90024 and the “Motherboard Required Circuits” chapter of the *Motherboard PGA Design Guide*, order# 90009.

SADDIN[1]# and SADDOUT[1:0]# Pins

SADDIN[1]# is tied to VSS with 1-kohm resistors, if this bit is not supported by the Northbridge. SADDOUT[1:0]# are NC, if these bits are not supported by the Northbridge. For more information, see the *AMD System Bus Specification*, order# 21902.

Scan Pins	SCANSHIFTEN (Q5), SCANCLK1 (S1), SCANINTEVAL (S3), and SCANCLK2 (S5) are the scan interface. This interface is AMD internal and is tied disabled with 1-kohm resistors to VSS on the motherboard.
SCHECK[7:0]# Pin	For systems that do not support ECC, SCHECK[7:0]# should be treated as NC pins.
SMI# Pin	SMI# is an input that causes the processor to enter the system management mode.
STPCLK# Pin	STPCLK# is an input that causes the processor to enter a lower power mode and issue a Stop Grant special cycle.
SYSCLK and SYSCLK# Pins	SYSCLK and SYSCLK# are differential input clock signals provided to the processor's PLL from a system-clock generator. See "CLKIN, RSTCLK (SYSCLK) Pins" on page 59 for more information.
SYSVREFMODE Pin	SYSVREFMODE (AA5) is Low to ensure that the external VREFSYS voltage is the actual voltage used by the input buffers and that no scaling occurs internally between the VREFSYS voltage and the input threshold. This pin is tied Low with a 1.0-kohm resistor.
VCCA Pin	VCCA is the processor PLL supply. VCCA current ranges from 0 mA to 32 mA at ~1 GHz. Vmax is 2.75 V and Vmin is 2.25 V. Decouple this pin with a 0.1-uF capacitor. For information about the VCCA pin, see Table 6, "VCCA AC and DC Characteristics," on page 21 and the "Motherboard Required Circuits" chapter of the <i>Motherboard PGA Design Guide</i> , order# 90009.
VID[4:0] Pins	<p>The VID[4:0] signals are outputs to the motherboard that indicate the required VCC_CORE voltage for the processor. The VCC_CORE ID (VID) is sent to the motherboard VCC_CORE regulator. The processor VID[4:0] outputs are open drain and 2.5-V tolerant. To prevent damage to the processor, if these signals are pulled High to above 2.5 V, they must be electrically be isolated from the processor. See "Voltage Identification (VID[4:0])" on page 20 for the AC and DC characteristics for VID[4:0].</p> <p>The motherboard is required to pull VID[4:0] Low for the voltage regulator to supply voltage in the appropriate range for</p>

the AMD Duron processor. These voltage ID values are defined in Table 21.

Note: The VID[3:0] for Slot A has a different code definition than VID[4:0] for Socket A.

Table 21. VID[4:0] Code to Voltage Definition

VID[4:0]	VCC_CORE (V)	VID[4:0]	VCC_CORE (V)
00000	1.850	10000	1.450
00001	1.825	10001	1.425
00010	1.800	10010	1.400
00011	1.775	10011	1.375
00100	1.750	10100	1.350
00101	1.725	10101	1.325
00110	1.700	10110	1.300
00111	1.675	10111	1.275
01000	1.650	11000	1.250
01001	1.625	11001	1.225
01010	1.600	11010	1.200
01011	1.575	11011	1.175
01100	1.550	11100	1.150
01101	1.525	11101	1.125
01110	1.500	11110	1.100
01111	1.475	11111	No CPU

For more information, see the “Required Circuits” chapter of the *Motherboard PGA Design Guide*, order# 90009.

VREFSYS Pin

VREFSYS (W5) drives the threshold voltage for the system bus input receivers. VREFSYS is set to $0.5 * VCC_CORE$. In addition, to minimize VCC_CORE noise rejection from VREFSYS, include decoupling capacitors. For more information, see the *Motherboard PGA Design Guide*, order# 90009.

ZN, VCC_Z, ZP, and VSS_Z Pins

ZN (AC5), VCC_Z (AC7), ZP (AE5), and VSS_Z (AE7) are the push-pull compensation circuit pins. VCC_Z is tied to VCC_CORE. VSS_Z is tied to VSS.

If Push-Pull mode is selected by the SIP parameter SysPushPull asserted (SysPushPull=1), ZN is tied to VCC_CORE with a

resistor that has a resistance matching the impedance Z_o of the transmission line. ZP is tied to VSS with a resistor that has a resistance matching the impedance Z_o of the transmission line.

If Open-Drain mode is selected by the SIP parameter SysPushPull deasserted (SysPushPull=0), ZN and ZP should be resistively tied to either VCC_CORE or VSS, but should not be left floating.

10 Ordering Information

Standard AMD Duron™ Processor Products

AMD standard products are available in several operating ranges. The ordering part numbers (OPN) shown in Table 22 are formed by a combination of the elements shown in Figure 18. *These OPNs are examples only.*

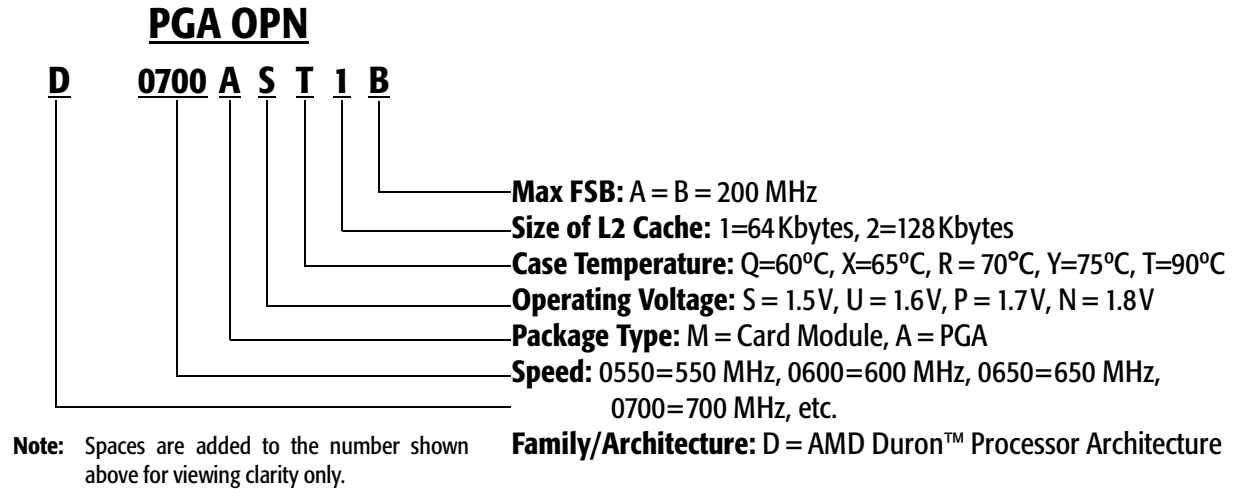


Figure 18. PGA OPN Example for the AMD Duron™ Processor

Table 22. Examples of Ordering Part Number Combinations

OPN	Package Type	Operating Voltage	Die Temperature
D0550AST1B	PGA	1.5 V	0°C–90°C
D0600AST1B	PGA	1.5 V	0°C–90°C
D0650AST1B	PGA	1.5 V	0°C–90°C
D0700AST1B	PGA	1.5 V	0°C–90°C

Notes:
This table lists configurations planned to be supported in volume for this device. Consult the local AMD sales office to confirm availability of specific valid combinations and to check on newly-released combinations.

Appendix A

Conventions, Abbreviations, and References

This section contains information about the conventions and abbreviations used in this document and a list of related publications.

Signals and Bits

- **Active-Low Signals**—Signal names containing a pound sign, such as SFILL#, indicate active-Low signals. They are asserted in their Low-voltage state and negated in their High-voltage state. When used in this context, High and Low are written with an initial upper case letter.
- **Signal Ranges**—In a range of signals, the highest and lowest signal numbers are contained in brackets and separated by a colon (for example, D[63:0]).
- **Reserved Bits and Signals**—Signals or bus bits marked *reserved* must be driven inactive or left unconnected, as indicated in the signal descriptions. These bits and signals are reserved by AMD for future implementations. When software reads registers with reserved bits, the reserved bits must be masked. When software writes such registers, it must first read the register and change only the non-reserved bits before writing back to the register.
- **Three-State**—In timing diagrams, signal ranges that are high impedance are shown as a straight horizontal line half-way between the high and low levels.

- Invalid and Don't-Care—In timing diagrams, signal ranges that are invalid or don't-care are filled with a screen pattern.

Data Terminology

The following list defines data terminology:

- Quantities
 - A *word* is two bytes (16 bits)
 - A *doubleword* is four bytes (32 bits)
 - A *quadword* is eight bytes (64 bits)
- Addressing—Memory is addressed as a series of bytes on eight-byte (64-bit) boundaries in which each byte can be separately enabled.
- Abbreviations—The following notation is used for bits and bytes:
 - Kilo (K, as in 4-Kbyte page)
 - Mega (M, as in 4 Mbits/sec)
 - Giga (G, as in 4 Gbytes of memory space)

See Table 24 for more abbreviations.

- Little-Endian Convention—The byte with the address *xx...xx00* is in the least-significant byte position (little end). In byte diagrams, bit positions are numbered from right to left—the little end is on the right and the big end is on the left. Data structure diagrams in memory show low addresses at the bottom and high addresses at the top. When data items are aligned, bit notation on a 64-bit data bus maps directly to bit notation in 64-bit-wide memory. Because byte addresses increase from right to left, strings appear in reverse order when illustrated.
- Bit Ranges—In text, bit ranges are shown with a dash (for example, bits 9–1). When accompanied by a signal or bus name, the highest and lowest bit numbers are contained in brackets and separated by a colon (for example, AD[31:0]).
- Bit Values—Bits can either be set to 1 or cleared to 0.
- Hexadecimal and Binary Numbers—Unless the context makes interpretation clear, hexadecimal numbers are followed by an h and binary numbers are followed by a b.

Abbreviations and Acronyms

Table 24 contains the definitions of abbreviations used in this document.

Table 23. Abbreviations

Abbreviation	Meaning
A	Ampere
F	Farad
G	Giga-
Gbit	Gigabit
Gbyte	Gigabyte
H	Henry
h	Hexadecimal
K	Kilo-
Kbyte	Kilobyte
M	Mega-
Mbit	Megabit
Mbyte	Megabyte
MHz	Megahertz
m	Milli-
ms	Millisecond
mW	Milliwatt
μ	Micro-
μA	Microampere
μF	Microfarad
μH	Microhenry
μs	Microsecond
μV	Microvolt
n	nano-
nA	nanoampere
nF	nanofarad
nH	nanohenry
ns	nanosecond
ohm	Ohm
p	pico-
pA	picoampere

Table 23. Abbreviations (continued)

Abbreviation	Meaning
pF	picofarad
pH	picohenry
ps	picosecond
s	Second
V	Volt
W	Watt

Table 24 contains the definitions of acronyms used in this document.

Table 24. Acronyms

Abbreviation	Meaning
ACPI	Advanced Configuration and Power Interface
AGP	Accelerated Graphics Port
APCI	AGP Peripheral Component Interconnect
API	Application Programming Interface
APIC	Advanced Programmable Interrupt Controller
BIOS	Basic Input/Output System
BIST	Built-In Self-Test
BIU	Bus Interface Unit
DDR	Double-Data Rate
DIMM	Dual Inline Memory Module
DMA	Direct Memory Access
DRAM	Direct Random Access Memory
ECC	Error Correcting Code
EIDE	Enhanced Integrated Device Electronics
EISA	Extended Industry Standard Architecture
EPROM	Enhanced Programmable Read Only Memory
EV6	Digital™ Alpha™ Bus
FIFO	First In, First Out
GART	Graphics Address Remapping Table
HSTL	High-Speed Transistor Logic
IDE	Integrated Device Electronics
ISA	Industry Standard Architecture

Table 24. Acronyms (continued)

Abbreviation	Meaning
JEDEC	Joint Electron Device Engineering Council
JTAG	Joint Test Action Group
LAN	Large Area Network
LRU	Least-Recently Used
LVTTTL	Low Voltage Transistor Transistor Logic
MSB	Most Significant Bit
MTRR	Memory Type and Range Registers
MUX	Multiplexer
NMI	Non-Maskable Interrupt
OD	Open Drain
PBGA	Plastic Ball Grid Array
PA	Physical Address
PCI	Peripheral Component Interconnect
PDE	Page Directory Entry
PDT	Page Directory Table
PLL	Phase Locked Loop
PMSM	Power Management State Machine
POS	Power-On Suspend
POST	Power-On Self-Test
RAM	Random Access Memory
ROM	Read Only Memory
RXA	Read Acknowledge Queue
SDI	System DRAM Interface
SDRAM	Synchronous Direct Random Access Memory
SIP	Serial Initialization Packet
SMBus	System Management Bus
SPD	Serial Presence Detect
SRAM	Synchronous Random Access Memory
SROM	Serial Read Only Memory
TLB	Translation Lookaside Buffer
TOM	Top of Memory
TTL	Transistor Transistor Logic
VAS	Virtual Address Space
VPA	Virtual Page Address

Table 24. Acronyms (continued)

Abbreviation	Meaning
VGA	Video Graphics Adapter
USB	Universal Serial Bus
ZDB	Zero Delay Buffer