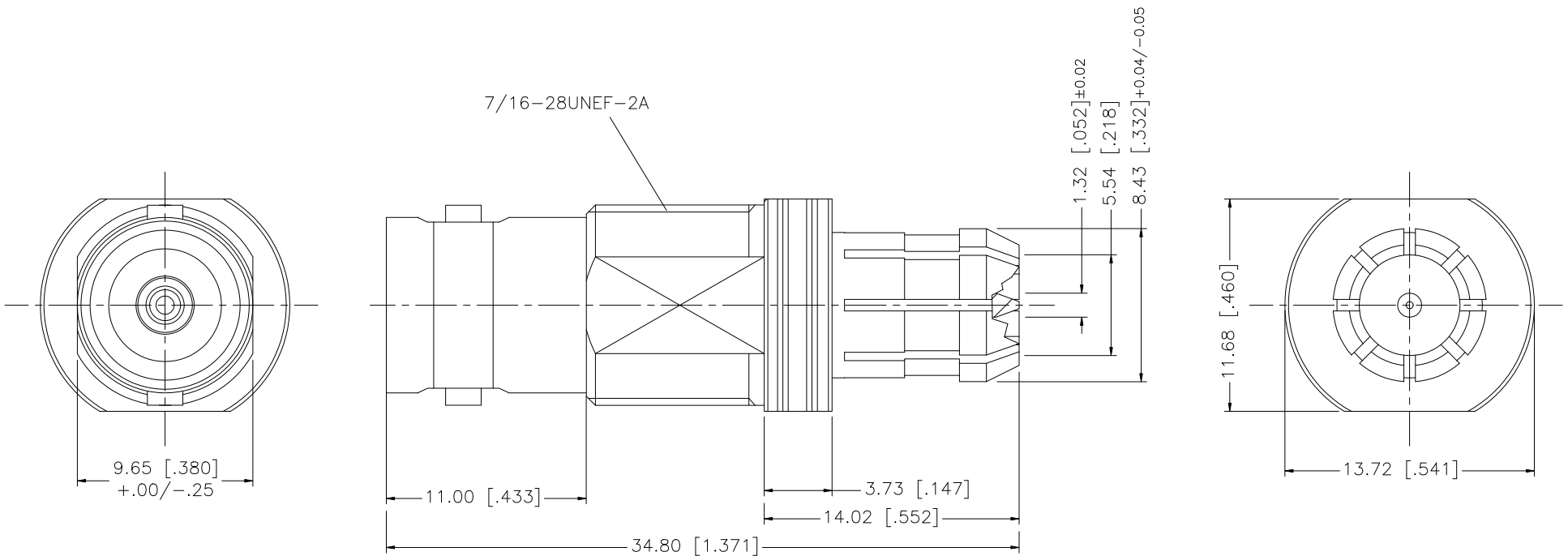


REV.	DATE	DESCRIPTION
NC	11/02/05	INITIAL RELEASE
A	05/20/07	ADD END VIEW AND 9.65 FLATS DIM



8			
7			
6			
5			
4			
3	CONTACT PIN	PHOS. BRONZE	GOLD 1
2	INSULATOR	TEFLON	NATURAL 1
1	HOUSING/BODY	BRASS	NICKEL 1
	DESCRIPTION	MATERIAL	FINISH QTY

UNLESS OTHERWISE SPECIFIED DIMENSIONS ARE IN MILLIMETERS. DIMENSIONS IN [ ] ARE IN INCHES AND FOR CUSTOMER REFERENCE ONLY.

UNLESS OTHERWISE SPECIFIED TOLERANCES FOR MILLIMETERS ARE:  
0.5 - 8mm ± 0.20mm  
8 - 30mm ± 0.40mm  
30 - 120mm ± 0.50mm

UNLESS OTHERWISE SPECIFIED TOLERANCES FOR INCHES ARE:  
.020 - .315 = ± 0.007"  
.315 - 1.180 = ± 0.015"  
1.180 - 4.724 = ± 0.020"

DO NOT SCALE DRAWING

APPROVALS	DATE
DRAWN G.R.S.	05/20/07
CHECKED	
ISSUED	
SHEET 1 OF 1	
CAD FILE C:/112/112532-13-1.DWG	

**Amphenol Connex**

PART DESCRIPTION  
**JACK TO PLUG THRU BNC ADAPTER**

PART NO.  
**112532-13-1**

DWG. NO. 112532-13-1.DWG      REV. A      SIZE A      SCALE NA