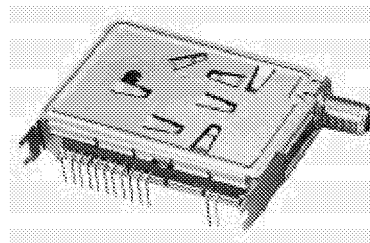


Type : **ET03DR**

Part No.: **ENV□□E□□□□**

Digital Tuner ET03DR is high performance single Conversion tuner for Digital transmission (QAM, QPSK) receivers and equipments. Advanced high frequency design technology and digital technology have been applied to this tuner.



### Features

- Compact size, Vertical / Horizontal mounting available
- Low Phase Noise
- Low power consumption
- Built in Diplexer UP / DOWN data filter (U.S.A)
- Built in RF Loop through (Europe)

### Recommended Applications

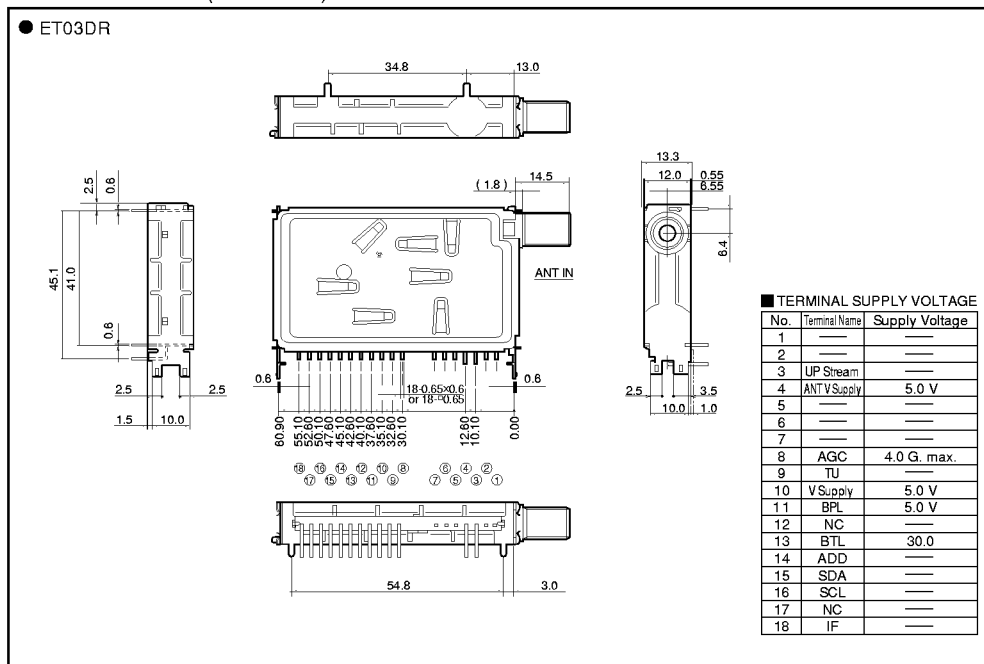
- Cable modem, Digital CATV Set Top Box, PC data receiver

### ■ Performance Specifications, Summary

|                            | U.S.A. Channel   | Europe Channel   |
|----------------------------|--|--|
| 1. RF Input Frequency      | 88 to 860 MHz  | 47 to 862 MHz  |
| 2. RF Input Impedance      | 75 $\Omega$ Unbalanced                                       | 75 $\Omega$ Unbalanced                                       |
| 3. Output Center Frequency | 44 MHz   | 36.15 MHz  |
| 4. IF Output Impedance     | 75 $\Omega$ Unbalanced                                       | 75 $\Omega$ Unbalanced                                       |
| 5. Noise Figure            | 10 dB max.   | 10 dB max.   |
| 6. Gain                    | 40 dB typ.   | 40 dB typ.   |
| 7. Image Rejection         | 45 dB min.   | 45 dB min.   |
| 8. Phase Noise             | - 87 dBc / Hz typ. @10 kHz offset                            | - 87 dBc / Hz typ. @10 kHz offset                            |
| 9. Supply Voltage          | + 5 V:165 mA typ. 210 mA max.<br>+ 30 V: 1 mA typ. 3 mA max. | + 5 V:165 mA typ. 210 mA max.<br>+ 30 V: 1 mA typ. 3 mA max. |
| 10. PLL Interface          | 3 wire or I <sup>2</sup> C                                   | I <sup>2</sup> C   |

### ■ Dimensions in mm (not to scale)

● ET03DR



### ■ Block Diagram ( U.S.A. )

