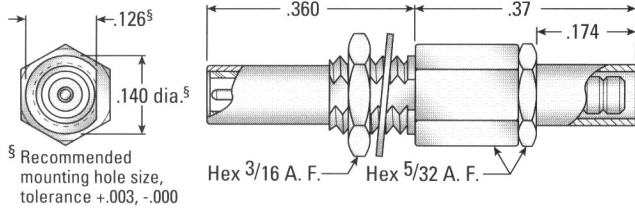




SSLB Cable Connectors

Straight Bulkhead Mounted Cable Jacks (.093" max panel thickness)

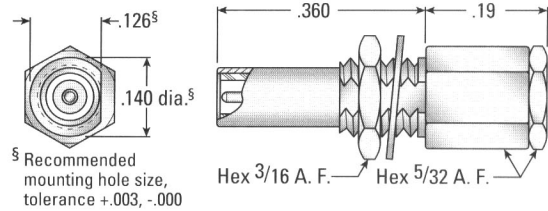
Crimp type for flexible cable



§ Recommended mounting hole size, tolerance +.003, -.000

AEP P/N
7303-1571-0XX*

Solder type for semi-rigid cable

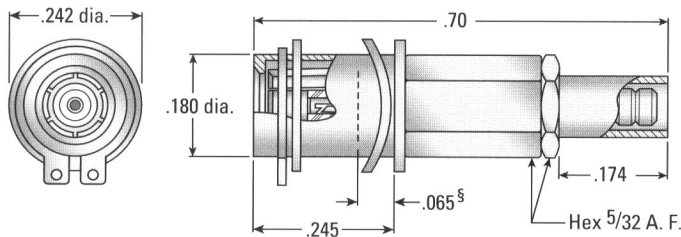


§ Recommended mounting hole size, tolerance +.003, -.000

AEP P/N
7303-1541-0XX*

Vibration-Proof Float Mounted Plug (See page 2 for details)

Straight—crimp type for flexible cable

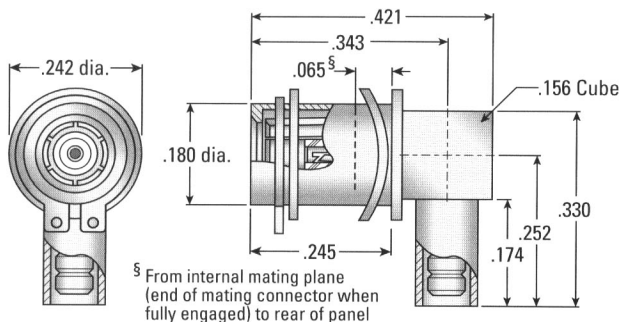


§ From internal mating plane (end of mating connector when fully engaged) to rear of panel

PANEL THICKNESS	AEP P/N
.050	7332-1572-0XX*
.093	7332-1572-3XX*

Vibration-Proof Float Mounted Plug (See page 2 for details)

Right angle—crimp type for flexible cable



§ From internal mating plane (end of mating connector when fully engaged) to rear of panel

PANEL THICKNESS	AEP P/N
.050	7335-1521-0XX*
.093	7335-1521-3XX*

*Substitute the appropriate cable group number for "XX" when ordering:

GROUP	CABLE TYPES	GROUP	CABLE TYPES	GROUP	CABLE TYPES
02	RG178, RG196, M17/93, M17/169	05	RG178DS, RG196DS	19	RG174DS, RG316DS, M17/151, M17/152, Times RD-316
03	RG174, RG179, RG316, M17/113, M17/119, M17/172, M17/189	10	.085" semi-rigid, RG405, M17/133		
		11	.047" semi-rigid, M17/151	21	.056" semi-rigid

