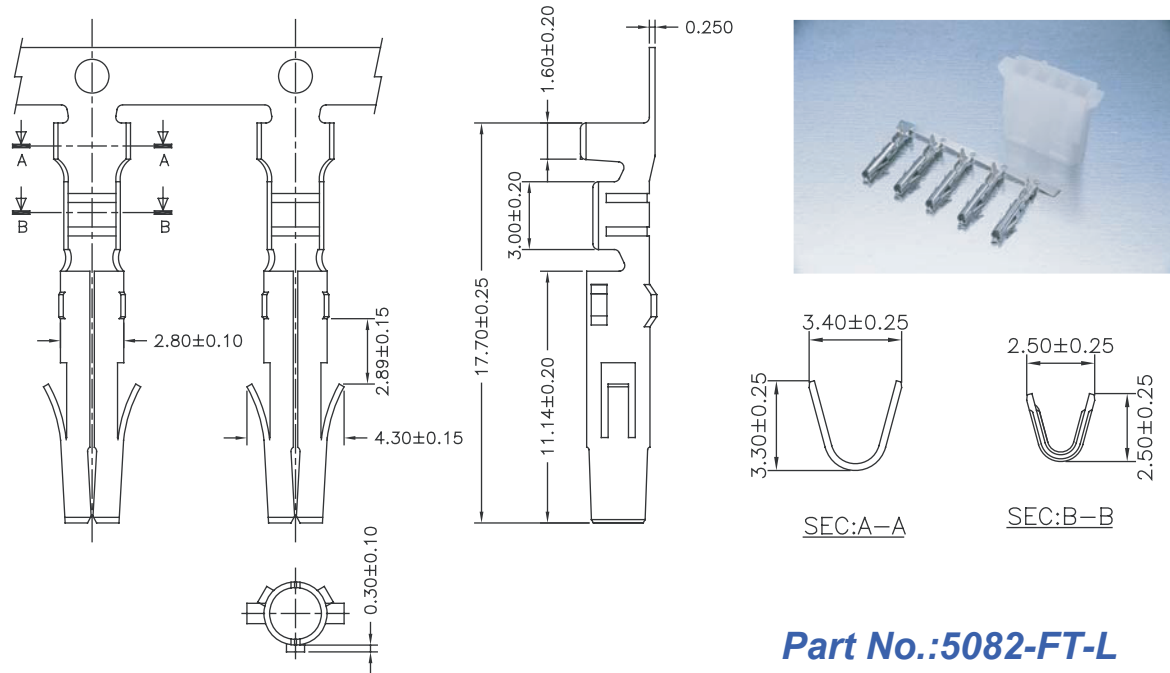




## 5.08mm FEMALE TERMINAL / FEMALE HOUSING

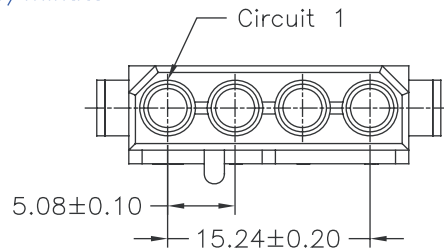


**Part No.:5082-FT-L**

Wire Range	Insulation O.D.	Material	Finish	Qty/reel
AWG#18-#24	2.50mm(max)	Brass	Tin-plated	7,000pcs

### SPECIFICATIONS

Current Rating: 7A AC,DC  
Voltage Rating: 250V AC,DC  
Temperature Range: -25°C ~ +85°C  
Contact Resistance: 10mΩ Max  
Insulation Resistance: 1000MΩ Min  
Withstanding Voltage: 1500V AC/minute  
Material: Nylon 66,UL94V-2  
Color: Natural(Translucent)



**Part No.:5082H-F04W-L**

