

DESCRIPTION

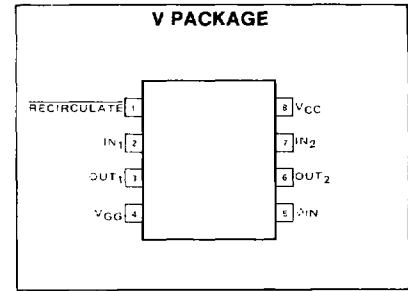
The 2529 240-bit recirculating static shift register consists of enhancement mode P-channel silicon gate MOS devices integrated on a single monolithic chip.

TRUTH TABLE

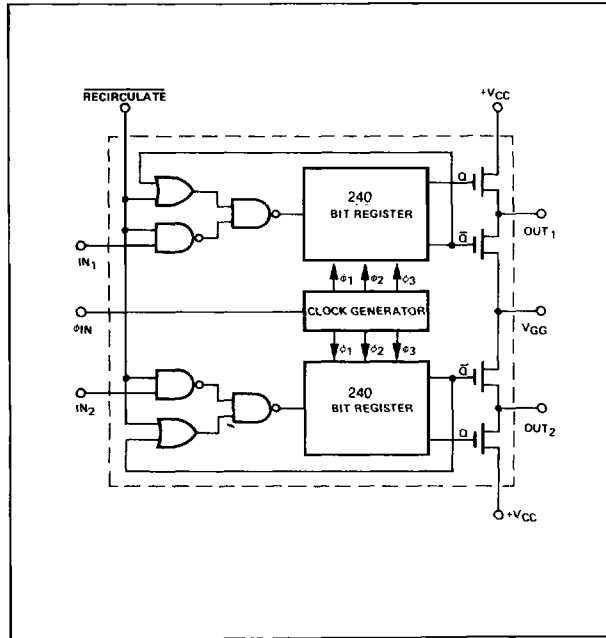
RECIRCULATE	INPUT	FUNCTION
0	0	Recirculate
0	1	Recirculate
1	0	'0' is Written
1	1	'1' is Written

NOTE: "0" = 0V, "1" = +5V

PIN CONFIGURATION



BLOCK DIAGRAM



TIMING DIAGRAM

