

2.0GHz Low Voltage Dual Modulus Prescaler

Consider MC12054 for New Designs

The MC12031 is a high frequency low voltage dual modulus prescaler used in phase-locked loop (PLL) applications. A high frequency input signal up to 2.0GHz is provided for cordless and cellular communication services such as DECT, PHS, and PCS. The MC12031 can be operated down to a minimum supply voltage of 2.7V required for battery operated portable systems.

The MC12031A can be used with CMOS synthesizer requiring positive edges to trigger internal counters such as Motorola's MC145XXX series in a PLL to provide tuning signal up to 2.0GHz in programmable frequency steps. The MC12031B can be used with CMOS synthesizers requiring negative edges to trigger internal counters.

A Divide Ratio Control (SW) permits selection of a 64/65 or 128/129 divide ratio as desired.

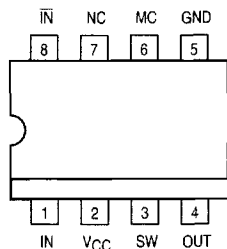
The Modulus Control (MC) selects the proper divide number after SW has been biased to select the desired divide ratio.

- 2.0GHz Toggle Frequency
- Supply Voltage 2.7V to 5.0Vdc
- Low Power 10.0mA Typical at $V_{CC} = 2.7V$
- Operating Temperature Range of -40 to $+85^{\circ}C$
- The MC12031 is Pin and Functionally Compatible With the MC12022
- Short Setup Time (t_{set}) 8ns Typical at 2.0GHz
- Modulus Control Input Level Is Compatible With Standard CMOS and TTL

MAXIMUM RATINGS

Symbol	Parameter	Value	Unit
V_{CC}	Power Supply Voltage, Pin 2	-0.5 to $+7.0$	Vdc
T_A	Operating Temperature Range	-40 to $+85$	$^{\circ}C$
T_{stg}	Storage Temperature Range	-65 to $+150$	$^{\circ}C$
MC	Modulus Control Input, Pin 6	-0.5 to $+6.5$	Vdc
I_O	Maximum Output Current, Pin 4	10.0	mA

Pinout: 8-Lead Plastic (Top View)



For positive edge triggered synthesizers, order the MC12031A
For negative edge triggered synthesizers, order the MC12031B

MC12031A
MC12031B

MECL PLL COMPONENTS
+64/65, +128/129
LOW VOLTAGE
DUAL MODULUS PRESCALER



P SUFFIX
8-LEAD PLASTIC PACKAGE
CASE 626-05



D SUFFIX
8-LEAD PLASTIC SOIC PACKAGE
CASE 751-05

FUNCTION TABLE

SW	MC	Divide Ratio
H	H	64
H	L	65
L	H	128
L	L	129

Note: SW: H = V_{CC} ; L = OPEN
MC: H = 2.0V to V_{CC} ; L = GND to 0.8V



MC12031A MC12031B

ELECTRICAL CHARACTERISTICS ($V_{CC} = 2.7$ to $5.0V$; $T_A = -40$ to $+85^\circ C$)

Symbol	Parameter	Min	Typ	Max	Unit
f_t	Toggle Frequency (Sine Wave)	0.5	2.4	2.0	GHz
I_{CC}	Supply Current Output (Pin 2) $V_{CC} = 2.7V$ $V_{CC} = 5.0V$		10.0 13.0	12.5 16.0	mA
V_{IH1}	Modulus Control Input HIGH (MC)	2.0		V_{CC}	V
V_{IL1}	Modulus Control Input LOW (MC)	GND		0.8	V
V_{IH2}	Divide Ratio Control Input HIGH (SW)	V_{CC}	V_{CC}	V_{CC}	V
V_{IL2}	Divide Ratio Control Input LOW (SW)	OPEN	OPEN	OPEN	---
V_{OUT}	Output Voltage Swing (Note 1) $C_L = 8pF$; $R_L = 1.2k\Omega$	0.8	1.2		V _{PP}
t_{set}	Modulus Setup Time MC to OUT @ 2000MHz		8	10	ns
V_{IN}	Input Voltage Sensitivity 500–2000MHz	100		1000	mV _{PP}
I_O	Output Current (Note 2) $V_{CC} = 2.7V$, $C_L = 8pF$, $R_L = 1.2k\Omega$ $V_{CC} = 5.0V$, $C_L = 8pF$, $R_L = 3.0k\Omega$		1.2 1.2	4.0 4.0	mA

- Valid over voltage range 2.7 to 5.0V; $R_L = 1.2k\Omega$ @ $V_{CC} = 2.7V$; $R_L = 3.0k\Omega$ @ $V_{CC} = 5.0V$
- Divide ratio of +64/65 @ 2.0GHz

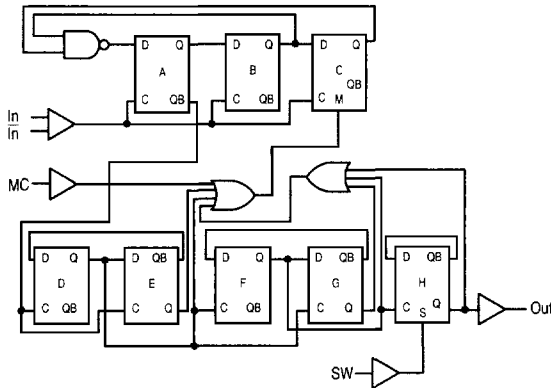
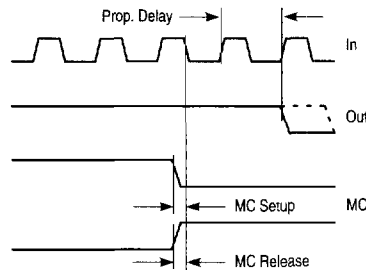
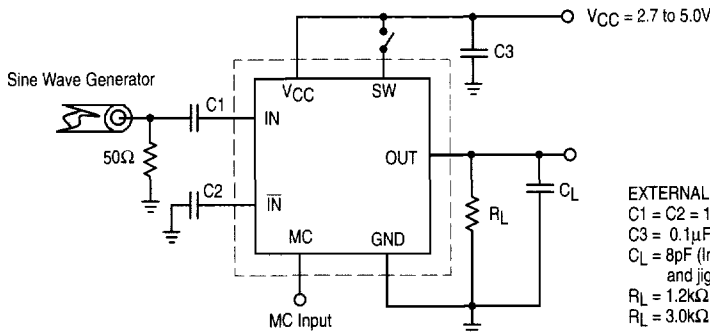


Figure 1. Logic Diagram (MC12031A)



Modulus setup time MC to out is the MC setup or MC release plus the prop delay.

Figure 2. Modulus Setup Time



EXTERNAL COMPONENTS
 $C1 = C2 = 1000pF$
 $C3 = 0.1\mu F$
 $C_L = 8pF$ (Including Scope and jig capacitance)
 $R_L = 1.2k\Omega$ @ $V_{CC} = 2.7V$
 $R_L = 3.0k\Omega$ @ $V_{CC} = 5.0V$

Figure 3. AC Test Circuit

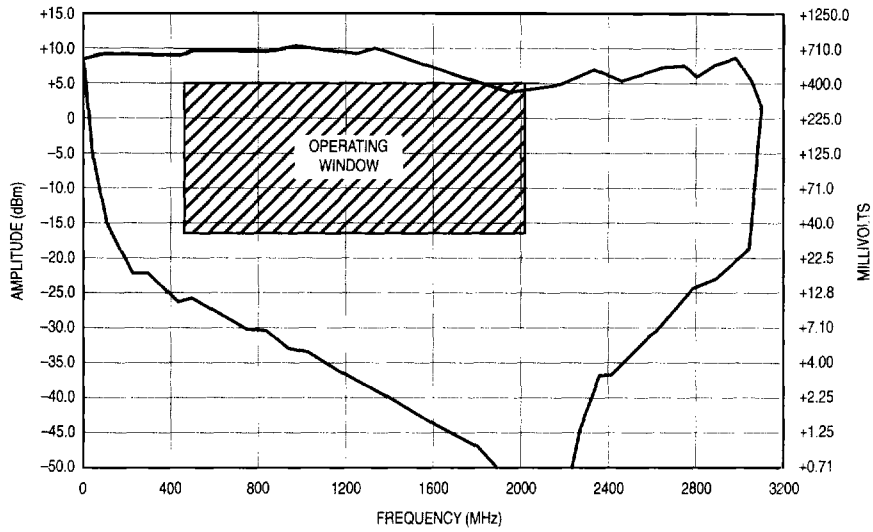


Figure 4. Input Signal Amplitude versus Input Frequency
 Divide Ratio = 64; $V_{CC} = 5.0V$; $T_A = 25^\circ C$

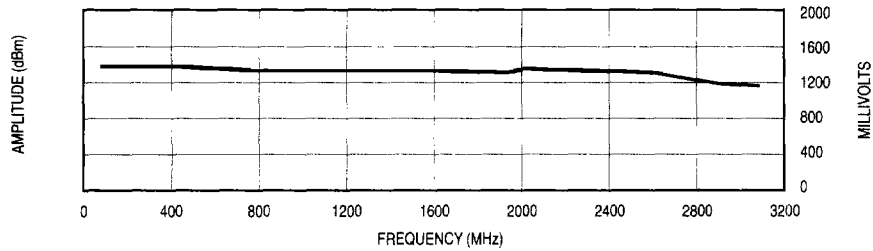


Figure 5. Output Amplitude versus Input Frequency