

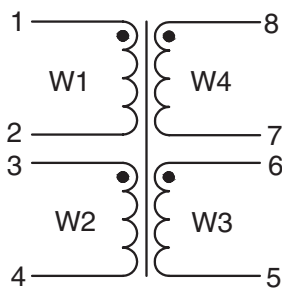
POWERLINE SIGNAL COUPLER

S557-7700-27

FEATURES

- Designed for use with Intellon INT5500 chipset
- Flat top package for easy pick and place
- Operating temperature 0° to +70° C

SCHEMATIC

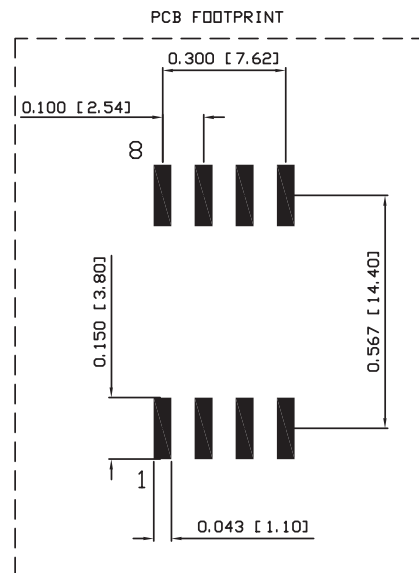
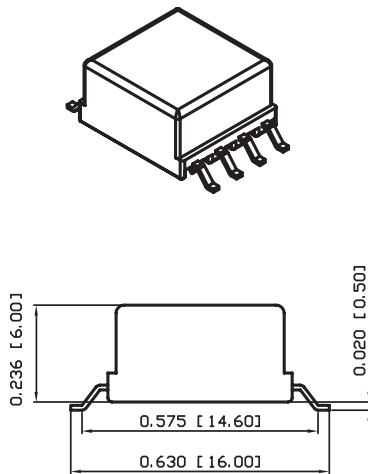
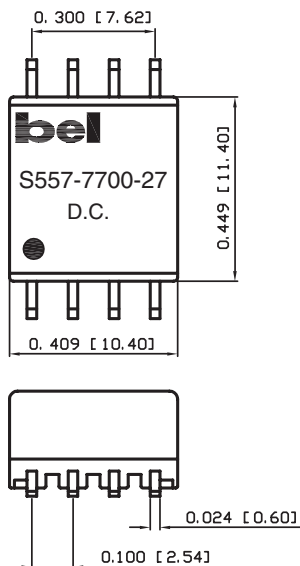


ELECTRICAL SPECIFICATIONS @ 25°C

Turns Ratio	Primary Inductance $\mu\text{H min}$		DCR Ω max	HiPot Vrms
W1 : W2 : W3 : W4	W1	W4	W1, W2, W3, W4	W1 : W2 : W3 : W4
1 : 1 : 1 : 1.2	9.5	13.5	0.1	1500

Note: This coupler provides functional isolation and should be used in conjunction with another means of isolation if compliance to UL 60950 is required.

MECHANICAL



©2005 Bel Fuse Inc. Specifications subject to change without notice. 09.28.05

CORPORATE

Bel Fuse Inc.
206 Van Vorst Street
Jersey City, NJ 07302
Tel 201-432-0463
Fax 201-432-9542
www.belfuse.com

FAR EAST

Bel Fuse Ltd.
8F / 8 Luk Hop Street
San Po Kong
Kowloon, Hong Kong
Tel 852-2328-5515
Fax 852-2352-3706
www.belfuse.com

EUROPE

Bel Stewart Connector
45/46 Riverside
Medway City Estate
Rochester, Kent ME2 4DP U.K.
Tel 44-1634-722890
Fax 44-1634-716677
www.belfuse.com