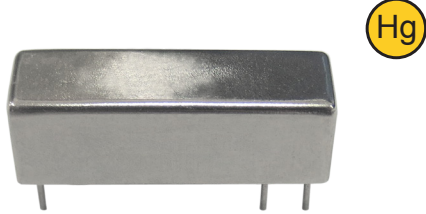


**Part Number: HGWM Series**  
**Single Side Stable Mercury (Hg) Relay - 1 Form C**  
**Product Data Sheet**

**PICTURE**



**FEATURES**

- 100W, 500V, 2A switching power
- Coil Voltages: 5, 12, 24 and 48
- Bounce-free operation
- Stable, low contact resistance over life
- Magnetically shielded
- Multi pole FORM-C & D contacts also available, consult factory

**ORDERING INFORMATION**

Series	Form	Coil
HGWM-51111	1C	K00 = 05 P00 = 12 T00 = 24 W00 = 48

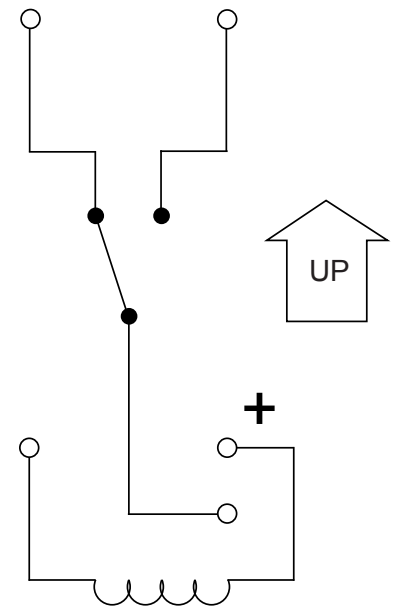
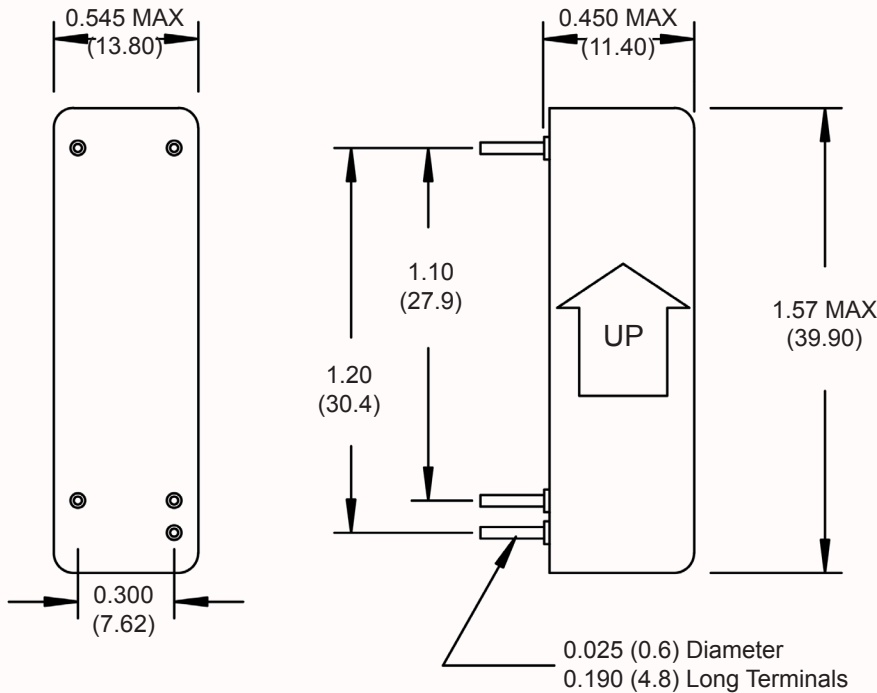
**Part Number Example:** HGWM-51111-XXX

HGWM-51111-W00 = HGWM-51111 with 48 volt coil

**DIMENSIONS**

**SCHEMATIC**

Drawings not to scale.  
 All dimensions in inches (mm) nominal.



**BOTTOM VIEW**

As part of the company policy of continued product improvement, specifications may change without notice. Our sales office will be pleased to help you with the latest information on this product range and the details of our full design and manufacturing service. All products are supplied to our standard conditions of sale unless otherwise agreed in writing.

**Phone: (1) 973 777 6900**      **www.comus-intl.com**      **Fax: (1) 973 777 8405**

Belgium: + 32 (0)12 390400 - Comus Europe Ltd (Assemtech) UK: +44 (0) 1255 862236 - Germany: +49 (0)911 923 15 943 - Netherlands: +31(0)45 54 39 345 - India: +(91) (44) 43219090

©2015 Copyright Comus International, 454 Allwood Road, Clifton NJ 07012, USA

**Part Number: HGWM Series**  
**Single Side Stable Mercury (Hg) Relay - 1 Form C**  
**Product Data Sheet**

COIL DATA (at 20 °C)					
PART NUMBER	NOMINAL COIL VOLTAGE (VDC)	NOMINAL COIL RESISTANCE $\pm 10\%$ ( $\Omega$ )	MAX OPERATE VOLTAGE (VDC)	MIN RELEASE VOLTAGE (VDC)	MAX COIL VOLTAGE (VDC)
HGWM-51111-K00	5	117	2.9	0.52	11
HGWM-51111-P00	12	720	7	1.3	27
HGWM-51111-T00	24	2730	14	2.6	52
HGWM-51111-W00	48	10000	28	5.2	100

CONTACT RATING	
Max Switching Power	100 W
Max Switching Voltage	500 VDC
Max Switching Current	2 A
Max Carry Current	5 A

SPECIFICATION	
Contact Resistance (Max)	30 m $\Omega$
Operate Time - no bounce (Max)	1.25 ms (At Nominal Voltage)
Transfer Time (Max)	0.5 ms
Release Time (Max)	1.25 ms
Insulation Resistance @ 100V, 20°C, 40% RH (Min)	10 <sup>9</sup> $\Omega$
Dielectric Strength (Min)	Between Open Contacts 1400 VDC / peak AC Between Coil to Contacts 1400 VDC / peak AC
Capacitance Between Open Contacts / Contacts to Coil (Max)	4 pF / 10 pF
Vibration (Survival)	5 Gs
Shock Resistance (Survival)	30 Gs
Operating Temperature	-38° to +85°C
Storage Temperature	-40° to +105°C
Life Expectancy at Specified Load (Typical)	2000 x 10 <sup>6</sup> ops (1 VDC, 10mA)
Contact Material / Content	Hg / 0.32 grams
Relay Weight (Typical)	12.5 grams

As part of the company policy of continued product improvement, specifications may change without notice. Our sales office will be pleased to help you with the latest information on this product range and the details of our full design and manufacturing service. All products are supplied to our standard conditions of sale unless otherwise agreed in writing.

**Phone: (1) 973 777 6900**      **www.comus-intl.com**      **Fax: (1) 973 777 8405**

Belgium: + 32 (0)12 390400 - Comus Europe Ltd (Assemtch) UK: +44 (0) 1255 862236 - Germany: +49 (0)911 923 15 943 - Netherlands: +31(0)45 54 39 345 - India: +(91) (44) 43219090

©2015 Copyright Comus International, 454 Allwood Road, Clifton NJ 07012, USA