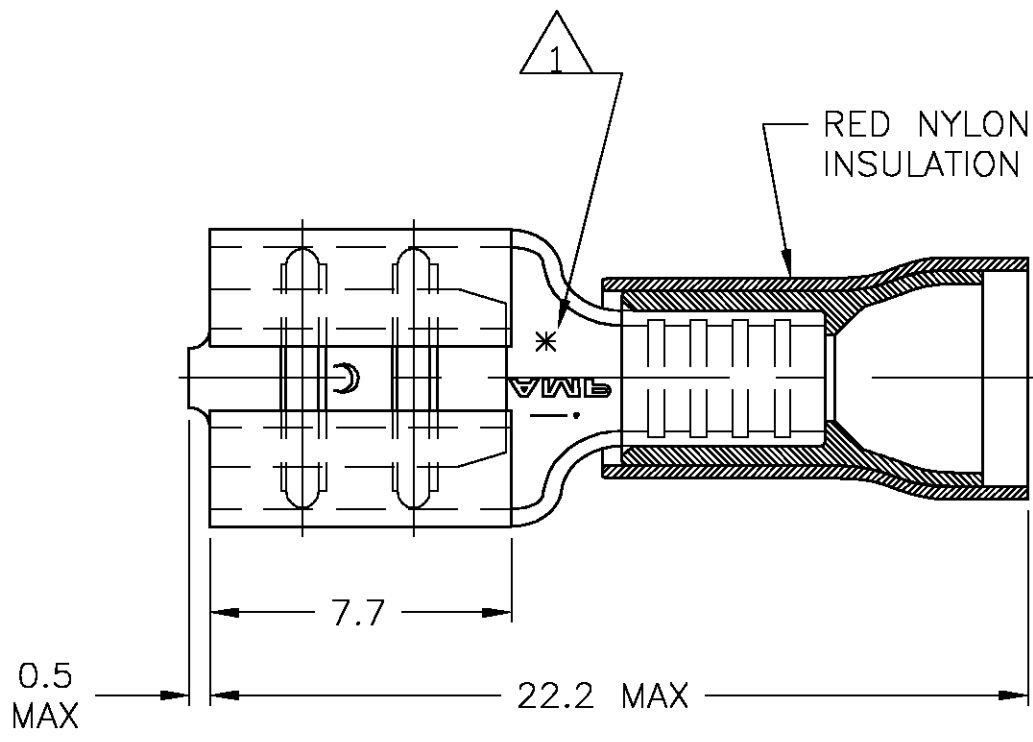
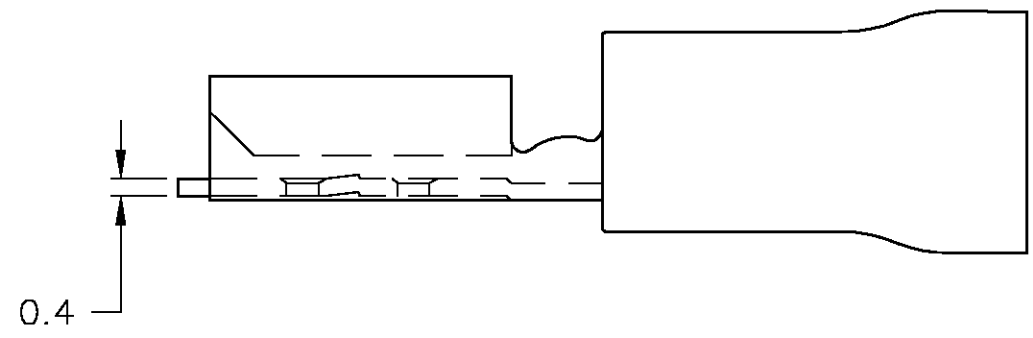
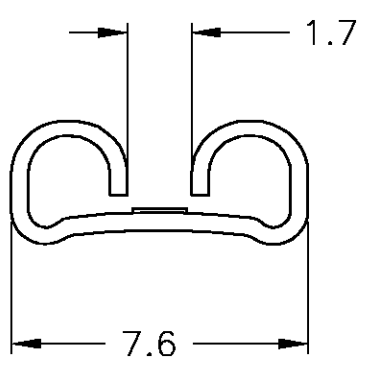


THIS DRAWING IS UNPUBLISHED. RELEASED FOR PUBLICATION
 © COPYRIGHT BY TYCO ELECTRONICS CORPORATION. ALL RIGHTS RESERVED.

LOC	DIST	REVISIONS					
		P	LTR	DESCRIPTION	DATE	DWN	APVD
G	86		L	REDRAWN	25AUG04	JR	TM



- △ 1 ASTERISK * FOR PHOS BRONZE VERSION ONLY.
- 2 WIRE RANGE: 0,3-1,5mm²
- 3 INSULATION RANGE: 3,5mm MAX DIA.
- 4 MATING TAB THK IS 0,8



△ 1	TAPE MOUNTED	9-160583-7	5-160583-7
△ 1	TAPE MOUNTED	9-160583-6	5-160583-6
△ 1	TAPE MOUNTED	9-160583-5	5-160583-5
	TAPE MOUNTED	9-160583-4	5-160583-4
	TAPE MOUNTED	9-160583-3	5-160583-3
	TAPE MOUNTED	9-160583-2	5-160583-2
△ 1	TIN-LEAD	PHOS. BRONZE	9-160583-8
△ 1	GOLD PLATED	PHOS. BRONZE	9-160583-7
△ 1	SILVER PLATED	PHOS. BRONZE	9-160583-6
△ 1	TIN PLATED	PHOS. BRONZE	9-160583-5
	GOLD PLATED	BRASS	9-160583-4
	SILVER PLATED	BRASS	9-160583-3
	TIN PLATED	BRASS	9-160583-2
	FINISH	MATERIAL	PART NO.

THIS DRAWING IS A CONTROLLED DOCUMENT.		DWN JR RUTH 25AUG2004	Tyco Electronics Corporation Harrisburg, Pa 17105-3608	
DIMENSIONS: mm	TOLERANCES UNLESS OTHERWISE SPECIFIED:	CHK T MICHIELUTTI 25AUG04	NAME	
	0 PLC ± -	APVD T MICHIELUTTI 25AUG04	RECEPTACLE, FASTON, P.I.D.G., .250 SERIES	
	1 PLC ± -	PRODUCT SPEC	-	
	2 PLC ± -	APPLICATION SPEC	-	
	3 PLC ± -	WEIGHT	-	
	4 PLC ± -	CUSTOMER DRAWING	SIZE A3	CAGE CODE 00779
	ANGLES ± -		DRAWING NO C-160583	RESTRICTED TO
MATERIAL	FINISH		SCALE 4:1	SHEET 1 OF 1
			REV L	