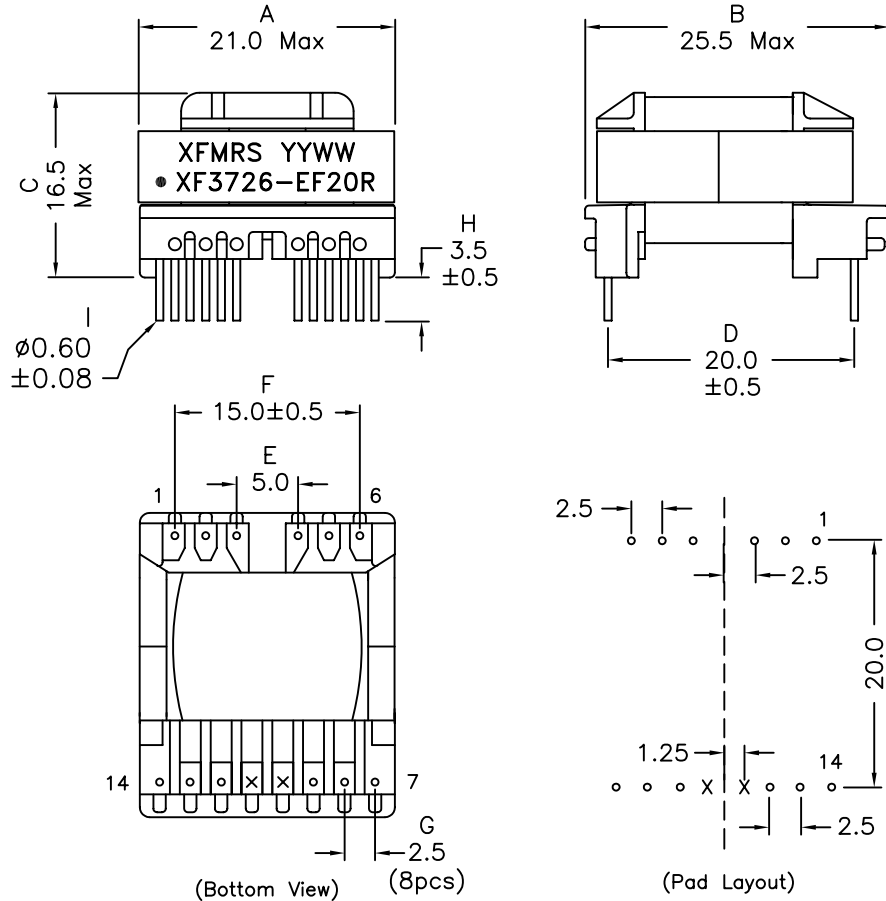


1. Mechanical Dimensions

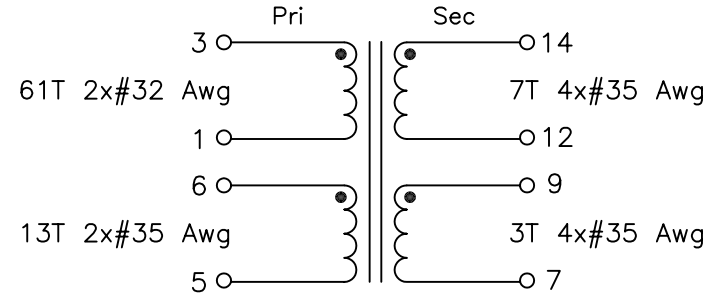


Notes:

- Solderability: Leads shall meet MIL-STD-202G, Method 208H for solderability.
- Flammability: UL94V-0
- ASTM oxygen index: > 28%
- Insulation System: Class F 155°C. UL file E151556
- Operating Temperature Range: All listed parameters are to be within tolerance from -40°C to +85°C
- Storage Temperature Range: -55°C to +125°C
- Aqueous wash compatible
- Electrical and mechanical specifications 100% tested
- RoHS Compliant Component
- Removed Pins #10,11

DOC. REV: A/1

2. Schematic:



3. Electrical Specifications: @25°C

OCL: Pins 3-1 372uH±10% @10KHz 0.1V

Q: Pins 3-1 tbd Min @10KHz 0.1V

LL: Pins 3-1 tbd uH Max @100KHz 0.1V, Short all else

Cw/w: Pins 3-14 tbd pF Max @100KHz 0.1V, Short Pri; Sec

DCR: Pins 3-1 tbd Ohms Max

Pins 6-5 tbd Ohms Max

Pins 9-7 tbd Ohms Max

Pins 14-12 tbd Ohms Max

Turns Ratio: (3-1):(6-5):(14-12):(9-7)

=1.000:0.213:0.115:0.049±2%

HIPOT: 4000Vac Pri to Sec, Sec to Sec

PRELIMINARY

XFMRs Inc www.XFMRs.com	Title: TRANSFORMER		
UNLESS OTHERWISE SPECIFIED TOLERANCES: xx. ±0.30 Dimensions in MM	P/N: XF3726-EF20R		REV. A
	DWN.	Feng	Apr-28-11
SHEET 1 OF 1	CHK.	YK Liao	Apr-28-11
	APP.	BW	Apr-28-11