

HC-Q04-I-CT-M - Contact insert



1419898

<https://www.phoenixcontact.com/us/products/1419898>

Please be informed that the data shown in this PDF document is generated from our Online Catalog. Please find the complete data in the user documentation. Our General Terms of Use for Downloads are valid.



Contact insert, number of positions: 4, size: D7, number of connections per position: 1, Pin, Crimp connection, 830 V, 40 A, 1.5 mm² ... 6 mm², application: Power, Only suitable for plastic housings

Commercial Data

Item number	1419898
Packing unit	1 pc
Minimum order quantity	1 pc
Sales Key	BF61
Product Key	BF7ABJ
Catalog Page	Page 511 (C-2-2019)
GTIN	4055626256177
Weight per Piece (including packing)	12.8 g
Weight per Piece (excluding packing)	12 g
Customs tariff number	85389099
Country of origin	CN

HC-Q04-I-CT-M - Contact insert



1419898

<https://www.phoenixcontact.com/us/products/1419898>

Technical Data

Notes

General	for HC-STA-D07 housing, CK 4,0 crimp contacts
General	Connectors may be operated only when there is no load/voltage.
General	Order crimp contacts separately

Mounting

Assembly instructions	To ensure correct use, installation in housing with IP54 protection or better is required
-----------------------	---

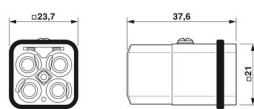
Product properties

Type	D7
Product type	Contact insert with a fixed no. of positions
Number of positions	4
Connection profile	4
Contact numbering	1 - 4
Application	Power
Number of connections per position	1
Contact type	turned
Series	HC-HS

Insulation characteristics

Overvoltage category	III
Degree of pollution	3

Dimensions

Dimensional drawing	
Width	21 mm
Height	40 mm
Length	21 mm

Mechanical characteristics

Contact diameter	4 mm
------------------	------

Connection data

Connection technology

Connection technology	Crimp connection
Number of connections per position	1
Connection in acc. with standard	IEC / EN

HC-Q04-I-CT-M - Contact insert



1419898

<https://www.phoenixcontact.com/us/products/1419898>

Conductor connection

Conductor cross section	1.5 mm ² ... 6 mm ²
Connection cross section AWG	16 ... 10
Tightening torque	0.5 Nm ... 0.8 Nm (Mounting screws for mounting in the HEAVYCON housing)
Stripping length of the individual wire	9 mm (1.5 ... 6.0 mm ²)

Electrical properties

Rated voltage (III/3)	830 V
Rated surge voltage	8 kV
Rated current	40 A

Mechanical properties

Mechanical data

Insertion/withdrawal cycles	≥ 500
-----------------------------	-------

Material specifications

Color	light grey
Flammability rating according to UL 94	V0
Seal material	NBR, conductive
Contact material	Copper alloy
Contact surface material	Ag
Contact carrier material	PC
Standards/regulations	PC: Fire protection in rail vehicles - requirement sets R22, R23, and R24 acc. to DIN EN 45545-2 (Risk level HL1 - HL3)

Environmental and real-life conditions

Ambient conditions

Degree of protection	IP20
Ambient temperature (operation)	-40 °C ... 125 °C (including heating up of contacts)

Standards and regulations

Constructional and testing regulations	DIN VDE 0627/86
	DIN VDE 0110/02.79
	DIN VDE 0110-1/04.97
	IEC 60664-1, DIN IEC 60512
	IEC 60352
Tests	DIN VDE 0627/86
	DIN VDE 0110/02.79
	DIN VDE 0110-1/04.97
	IEC 60664-1, DIN IEC 60512
	IEC 60352

Testing

HC-Q04-I-CT-M - Contact insert



1419898

<https://www.phoenixcontact.com/us/products/1419898>

Standards/regulations

PC: Fire protection in rail vehicles - requirement sets R22, R23, and R24 acc. to DIN EN 45545-2 (Risk level HL1 - HL3)

HC-Q04-I-CT-M - Contact insert

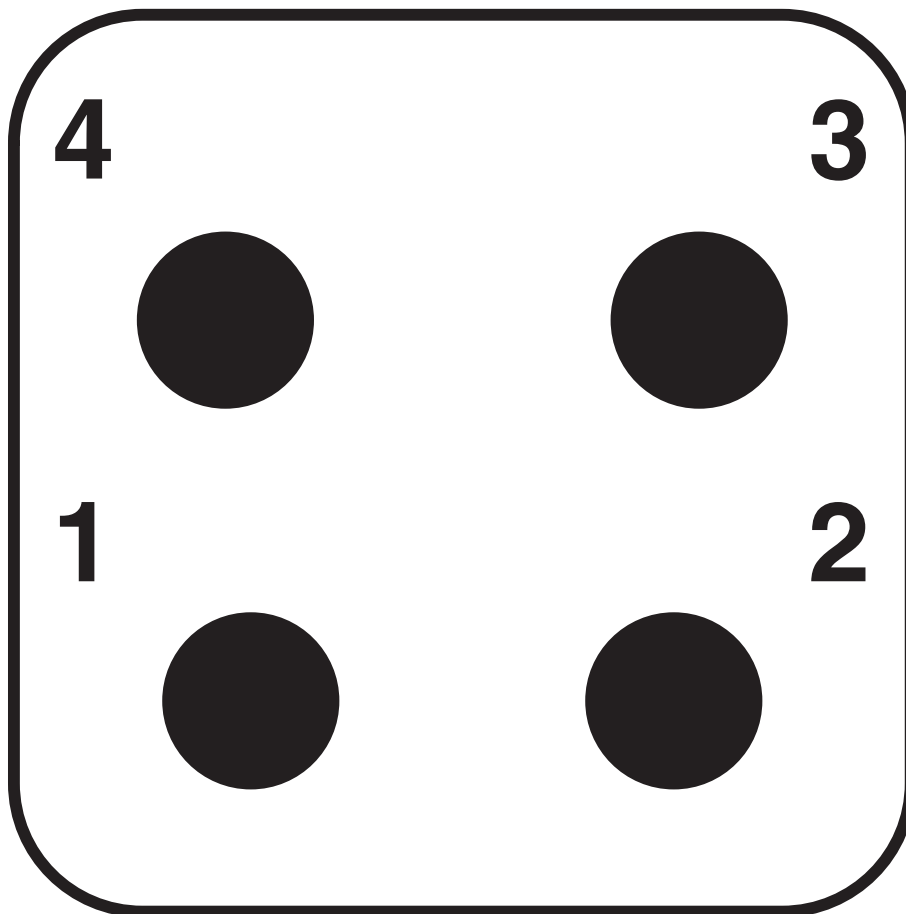
1419898

<https://www.phoenixcontact.com/us/products/1419898>



Drawings

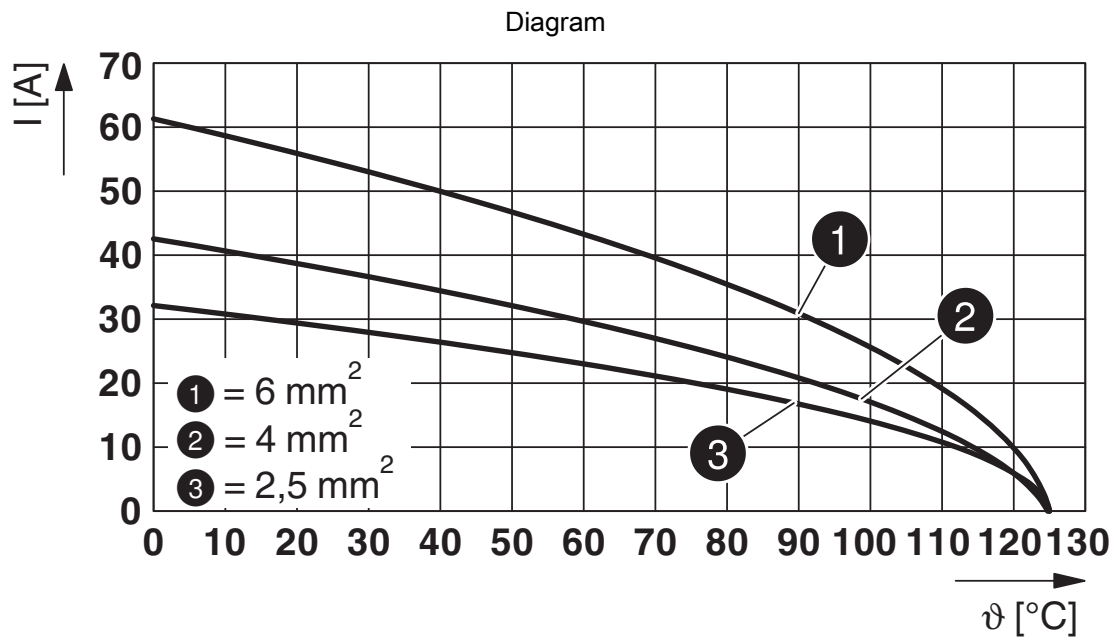
Schematic diagram



HC-Q04-I-CT-M - Contact insert

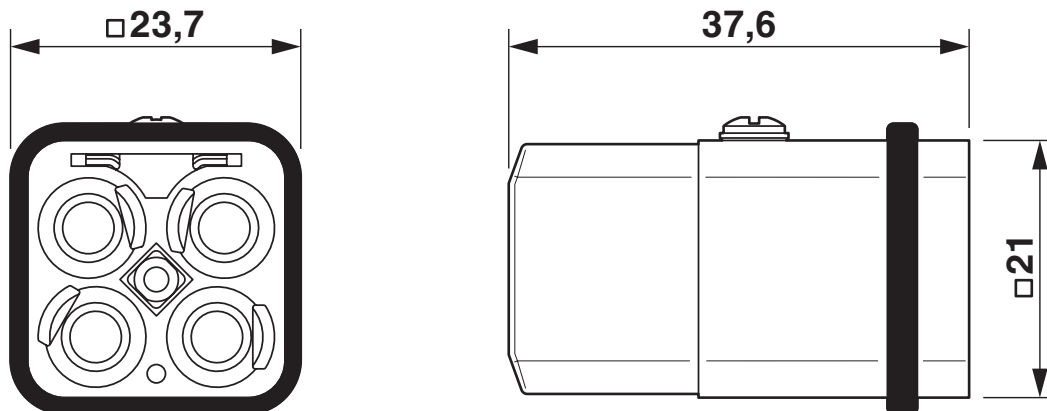
1419898

<https://www.phoenixcontact.com/us/products/1419898>



Derating diagram

Dimensional drawing



Male insert

HC-Q04-I-CT-M - Contact insert





1419898

<https://www.phoenixcontact.com/us/products/1419898>

Approvals

 UL Recognized Approval ID: E118976	Nominal Voltage U_N	Nominal Current I_N	Cross Section AWG	Cross Section mm^2
	600 V	50 A	- 8	-

 EAC Approval ID: RU C-DE.AI30.B.01102

 EAC Approval ID: RU C-DE.BL08.B.00511

 UL Recognized Approval ID: E468743	Nominal Voltage U_N	Nominal Current I_N	Cross Section AWG	Cross Section mm^2
	600 V	45 A	-	-

HC-Q04-I-CT-M - Contact insert



1419898

<https://www.phoenixcontact.com/us/products/1419898>

Classifications

ECLASS

ECLASS-11.0	27440205
ECLASS-12.0	27440205
ECLASS-13.0	27440205

ETIM

ETIM 8.0	EC000438
----------	----------

UNSPSC

UNSPSC 21.0	39121500
-------------	----------

HC-Q04-I-CT-M - Contact insert



1419898

<https://www.phoenixcontact.com/us/products/1419898>

Environmental Product Compliance

China RoHS	Environmentally friendly use period: unlimited = EFUP-e
	No hazardous substances above threshold values

HC-Q04-I-CT-M - Contact insert

1419898

<https://www.phoenixcontact.com/us/products/1419898>



Accessories

HC-CP-D07-PL - Coding element

1095413

<https://www.phoenixcontact.com/us/products/1095413>

Coding element for HC-D07 contact inserts of the HC-A03... / HC-A04... / HC-Q03... / HC-Q04... / HC-Q07... series



HC-D07-SP-RBK - Profile gasket

1419622

<https://www.phoenixcontact.com/us/products/1419622>

Profile gasket, design: D7, for pin inserts



HC-Q04-I-CT-M - Contact insert

1419898

<https://www.phoenixcontact.com/us/products/1419898>



HC-D 7-DS-IP65 - Sealing screw

1686229

<https://www.phoenixcontact.com/us/products/1686229>



Sealing screw, size: Countersunk head, IP67, replacement part for D7 size HEAVYCON housing

UNIFOX RT-CK 4.0 - Contact removal tool

1072064

<https://www.phoenixcontact.com/us/products/1072064>



Contact removal tool, for rotated CK-4,0-... contacts

HC-Q04-I-CT-M - Contact insert

1419898

<https://www.phoenixcontact.com/us/products/1419898>



CK4,0-ED-1,50ST AG - Crimp contact

1663239

<https://www.phoenixcontact.com/us/products/1663239>



Crimp contact, contact diameter: 4 mm, turned, Pin, contact material: Copper alloy, contact surface: silver-plated, connection cross section: 1.5 mm² ... 1.5 mm², AWG 16

CK4,0-ED-2,50ST AG - Crimp contact

1663242

<https://www.phoenixcontact.com/us/products/1663242>



Crimp contact, contact diameter: 4 mm, turned, Pin, contact material: Copper alloy, contact surface: silver-plated, connection cross section: 2.5 mm² ... 2.5 mm², AWG 14

HC-Q04-I-CT-M - Contact insert

1419898

<https://www.phoenixcontact.com/us/products/1419898>



CK4,0-ED-4,00ST AG - Crimp contact

1663255

<https://www.phoenixcontact.com/us/products/1663255>



Crimp contact, contact diameter: 4 mm, turned, Pin, contact material: Copper alloy, contact surface: silver-plated, connection cross section: 4 mm² ... 4 mm², AWG 12

CK4,0-ED-6,00ST AG - Crimp contact

1663268

<https://www.phoenixcontact.com/us/products/1663268>



Crimp contact, contact diameter: 4 mm, turned, Pin, contact material: Copper alloy, contact surface: silver-plated, connection cross section: 6 mm² ... 6 mm², AWG 10

HC-Q04-I-CT-M - Contact insert

1419898

<https://www.phoenixcontact.com/us/products/1419898>



CK4,0-ED-10,00ST AG - Crimp contact

1586198

<https://www.phoenixcontact.com/us/products/1586198>



Crimp contact, contact diameter: 4 mm, turned, Pin, contact material: Copper alloy, contact surface: silver-plated, connection cross section: 10 mm² ... 10 mm², AWG 8

CK4,0-ED-1,50M AG - Crimp contact

1274097

<https://www.phoenixcontact.com/us/products/1274097>



Crimp contact, contact diameter: 4 mm, turned, Pin, contact material: Copper alloy, lead-free, contact surface: silver-plated, connection cross section: 1.5 mm² ... 1.5 mm², AWG 16

HC-Q04-I-CT-M - Contact insert

1419898

<https://www.phoenixcontact.com/us/products/1419898>



CK4,0-ED-2,50M AG - Crimp contact

1274094

<https://www.phoenixcontact.com/us/products/1274094>



Crimp contact, contact diameter: 4 mm, turned, Pin, contact material: Copper alloy, lead-free, contact surface: silver-plated, connection cross section: 2.5 mm² ... 2.5 mm², AWG 14

CK4,0-ED-4,00M AG - Crimp contact

1274093

<https://www.phoenixcontact.com/us/products/1274093>



Crimp contact, contact diameter: 4 mm, turned, Pin, contact material: Copper alloy, lead-free, contact surface: silver-plated, connection cross section: 4 mm² ... 4 mm², AWG 12

HC-Q04-I-CT-M - Contact insert

1419898

<https://www.phoenixcontact.com/us/products/1419898>



CK4,0-ED-6,00M AG - Crimp contact

1274092

<https://www.phoenixcontact.com/us/products/1274092>



Crimp contact, contact diameter: 4 mm, turned, Pin, contact material: Copper alloy, lead-free, contact surface: silver-plated, connection cross section: 6 mm² ... 6 mm², AWG 10

CK4,0-ED-10,00M AG - Crimp contact

1274091

<https://www.phoenixcontact.com/us/products/1274091>



Crimp contact, contact diameter: 4 mm, turned, Pin, contact material: Copper alloy, lead-free, contact surface: silver-plated, connection cross section: 10 mm² ... 10 mm², AWG 8

HC-Q04-I-CT-M - Contact insert

1419898

<https://www.phoenixcontact.com/us/products/1419898>



HC-Q04-I-CT-F - Contact insert

1419899

<https://www.phoenixcontact.com/us/products/1419899>



Contact insert, number of positions: 4, size: D7, number of connections per position: 1, Socket, Crimp connection, 830 V, 40 A, 1.5 mm² ... 6 mm², application: Power, Only suitable for plastic housings

Phoenix Contact 2023 © - all rights reserved

<https://www.phoenixcontact.com>

Phoenix Contact USA
586 Fulling Mill Road
Middletown, PA 17057, United States
(+717) 944-1300
info@phoenixcon.com