

FEATURES AND SPECIFICATIONS

Features and Benefits

- High-performance, Low Force Helix terminal with contact layout .075 x .075"
- High cycle life from controlled plating and contact surfaces
- Suitable for high-density and high-performance applications
- 96-circuit same size as 50-pin standard D-sub for backshell hardware
- Surface Mount Compatible

Reference Information

Product Specification: PS-70660

Packaging: Tube

UL File No.: E29179

CSA File No.: LR19980

Mates With: [70665](#) or [71995](#)

Designed In: Inches

Electrical

Voltage: 40V

Current: 1.0A

Contact Resistance: 20mΩ max.

Dielectric Withstanding Voltage: 1000V

Insulation Resistance: 100 MΩ min.

Mechanical

Contact Insertion Force: 84g max.

Mating Force: 60g nom.

Unmating Force: 20g min.

Durability: 5000 cycles

Physical

Housing: Glass-filled polymer, UL 94V-0

Contact: Beryllium Copper Alloy

Plating:

Terminals—30μ" min. Gold over Nickel in contact area,
100μ" min. Tin/Lead over Nickel in PC tail area

Shields—100μ" min. bright Tin over Copper

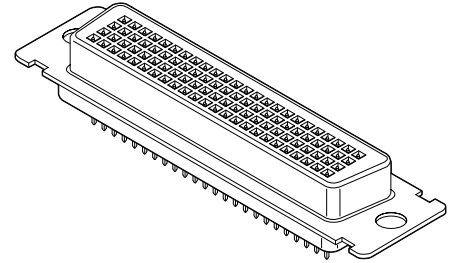
Operating Temperature: -20 to +80°C



1.90mm (.075") Pitch LFH™ Matrix 75 Shielded Receptacle

70660/71990

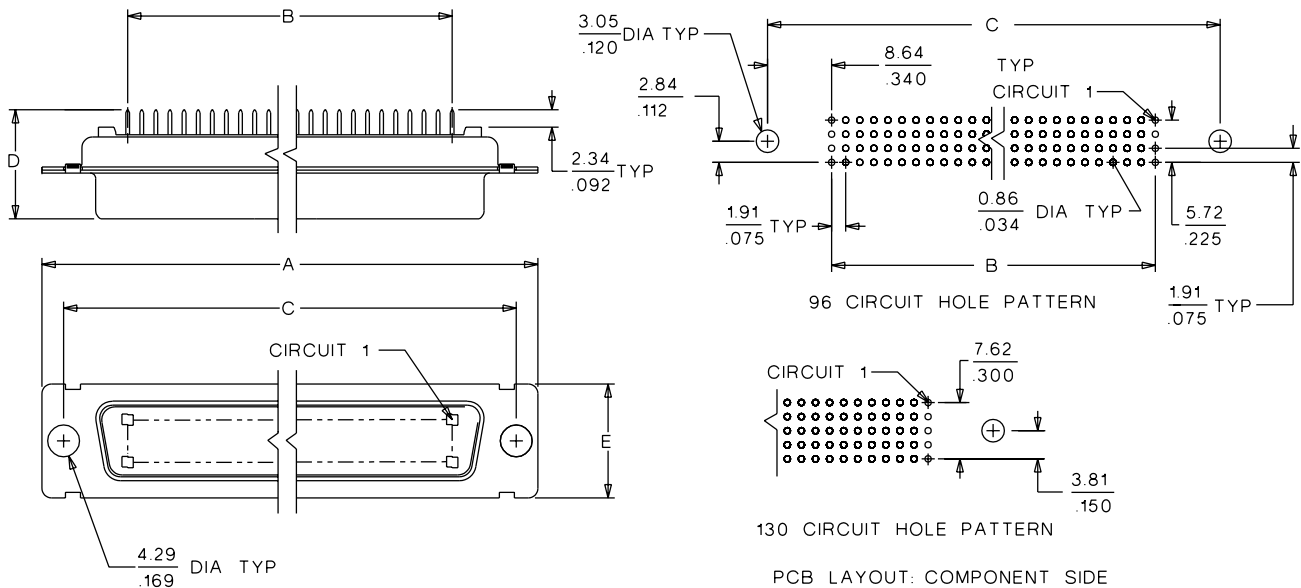
96 and 130 Circuit Vertical



CATALOG DRAWING (FOR REFERENCE ONLY)

I/O Connectors

N



ORDERING INFORMATION AND DIMENSIONS

Circuits	Order No.	Dimension				
		A	B	C	D	E
96	51-26-0001	66.93 (2.635)	43.82 (1.725)	61.11 (2.406)	14.66 (.616)	15.37 (.605)
130	51-26-0021	69.32 (2.729)	47.63 (1.875)	63.50 (2.500)	14.71 (.610)	16.97 (.668)