

## Specifications

Insulation Resistance:	1000MΩ min.
Withstanding Voltage:	750 V AC
Voltage Rating:	30 V AC (rms) max.
Current Rating:	1A max. per contact (Signal Application only)
Contact Resistance:	15mΩ max. (initial)
Operating Temperature Range:	-55°C to + 85°C
Mating Cycles:	1500 times

## Materials and Finish

Shell:	Steel, Tin or Tin Lead over Nickel
Housing:	Thermoplastic, glass filled (UL94V-0)
Contacts:	Copper Alloy
Contact Plating:	Gold over Nickel

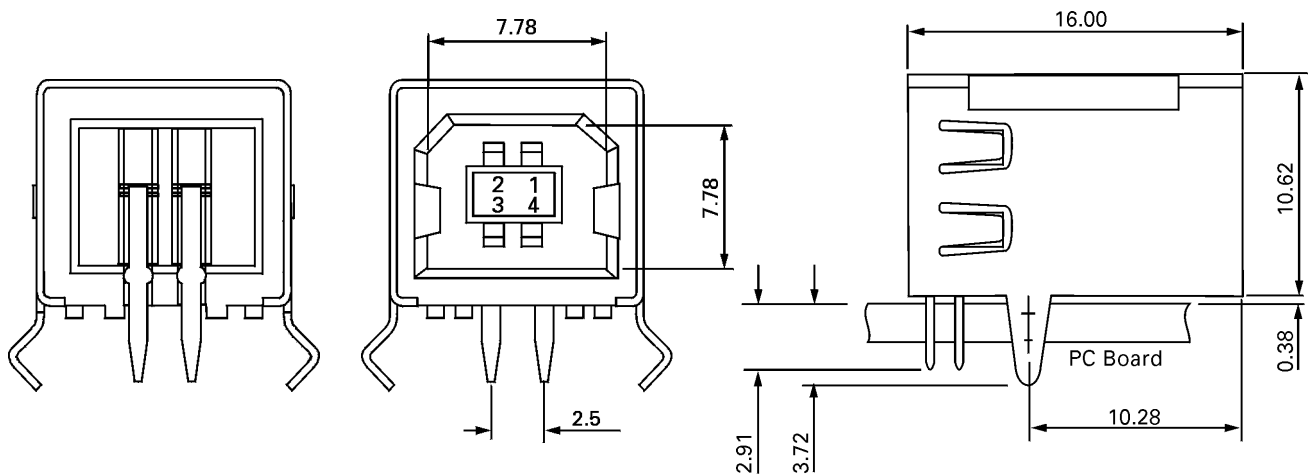
## Part Number

USB-B-001



## Applicable Dimensions (Reference Only)

TH Type



## Recommended PCB Layout

Top View

